

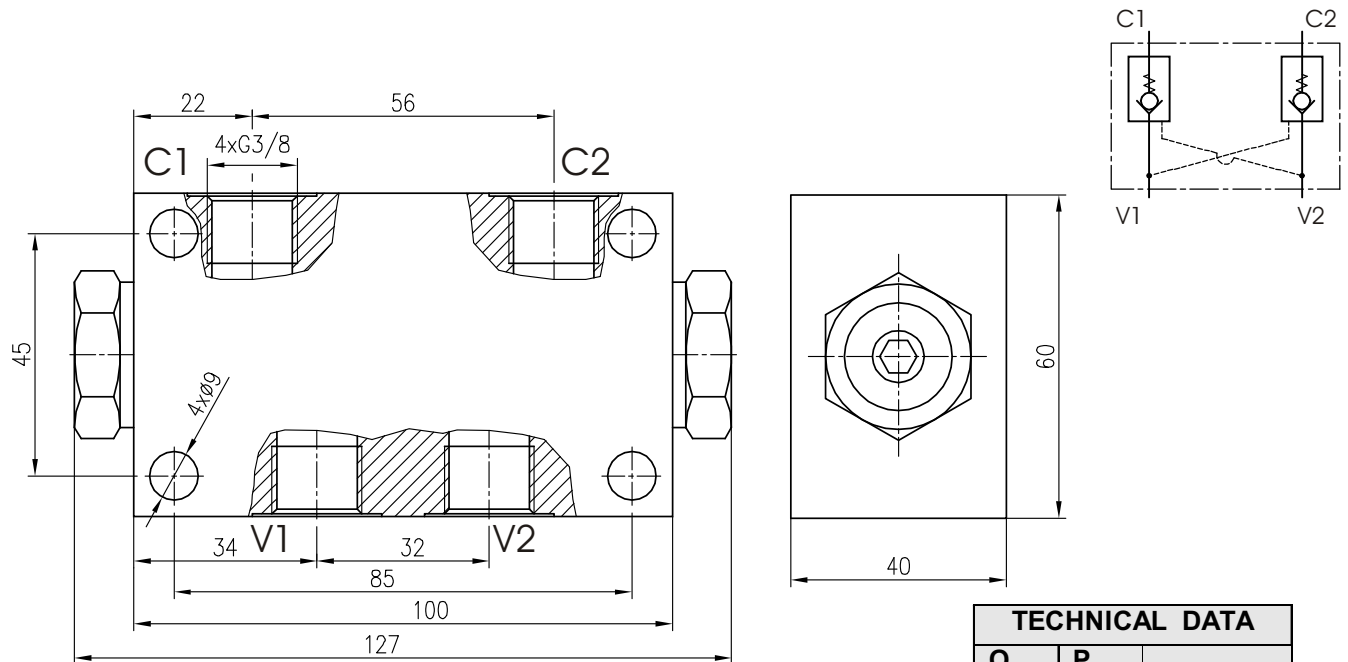


**Hidro
Pnevmo
Tehnika**

3, Vojeli St., Kazanlak, Bulgaria
Tel.: +359 431/ 62 228
Fax : +359/ 62 019
e-mail : info@hpt-bg.com
www.hpt-bg.com

DUAL PILOT OPERATED CHECK VALVE

BP2/10-38

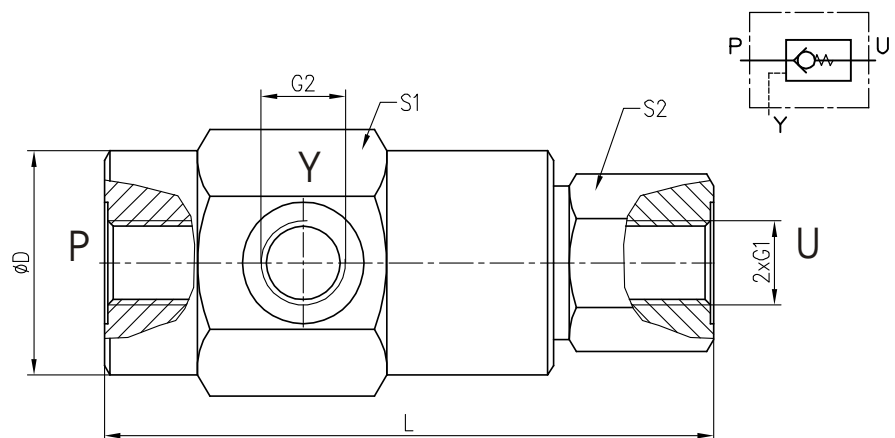
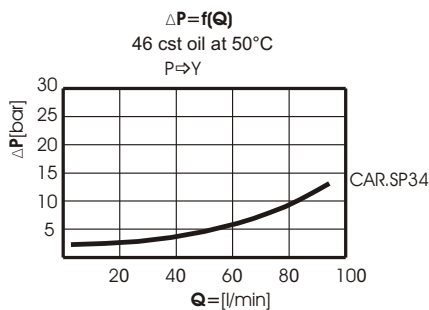
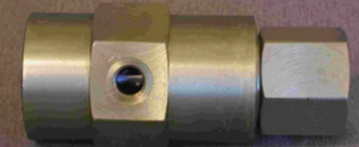


All performances and calibrations are carried out by using hydraulic oil with viscosity Approx. 46 cSt at 50 °C Temperature range:-20 °C...+80 °C. Filtration absolute: 25 µm

TECHNICAL DATA		
Q _{max} L/min	P _{max.} bar	Pilot ratio
30	350	5:1

PILOT OPERATED CHECK VALVES, EXTERNAL PILOT OPERATED TYPE, SINGLE ACTING LINE MOUNTING

CAR.SP ..



Type	Q _{max}	P _{max.}	Pilot ratio	G1	G2	S1	S2	D	L
	L/min	bar		60		mm	mm		
CAR.SP14	15	400	3.1:1	G1/4	G1/4	36	24	35	95
CAR.SP38	30		3.5:1	G3/8		41	32	40	105
CAR.SP12	45	350	2.8:1	G1/2		46	36	45	115
CAR.SP34	80		3.4:1	G3/4		55	41	54	135

All performances and calibrations are carried out by using hydraulic oil with viscosity approx. 46 cSt at 50 °C. Temperature range:-20 °C...+80 °C. Filtration absolute: 25 µm