

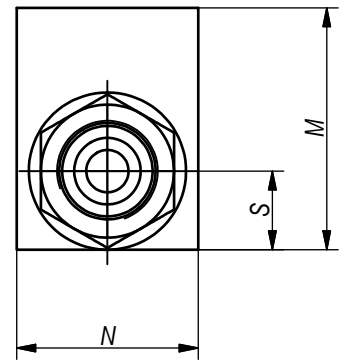
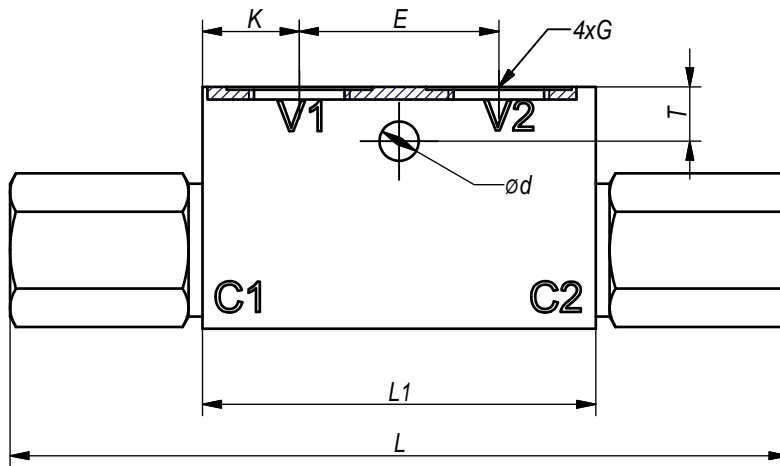
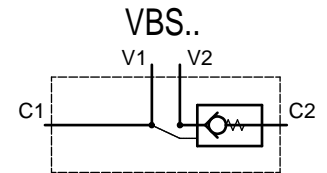
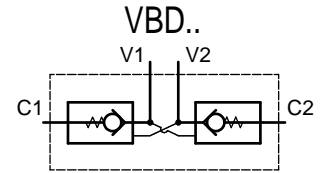
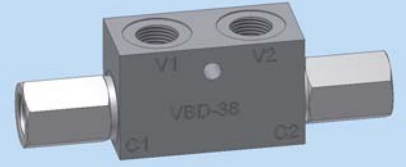


**Hidro
Pnevmotehnika**

3, Vojeli St., Kazanlak, Bulgaria
Tel.: +359 431/62 228
Fax.: +359 431/62 019
e-mail : info@hpt-bg.com
www.hpt-bg.com

DUAL OR SINGLE PILOT OPERATED CHECK VALVE

VBD .. and VBS ..



Type	P max. bar.	Q max. L/min	Pilot ratio	G	L	L1	M	N	S	T	d	K	E
VBD-14(VBS-14)	350	25	4:1	G 1/4	129	65	40	30	13	9	6,5	16	33
VBD-38(VBS-38)		35	4:1	G 3/8	129	65	40	30	13	12	6,5	16	33
VBD-12(VBS-12)		50	4:1	G 1/3	163	79	50	35	16	15	6,5	20,5	38
VBD-34(VBS-34)		100	4,6:1	G 3/4	185	100	60	40	21	15	8,5	25	50

All performances and calibration are carried out by using hydraulic oil with viscosity approx 46 cSt at 50 °C
Temperature range -20...+80 °C
Filtration absolute 25 μm

ORDERING CODE

