

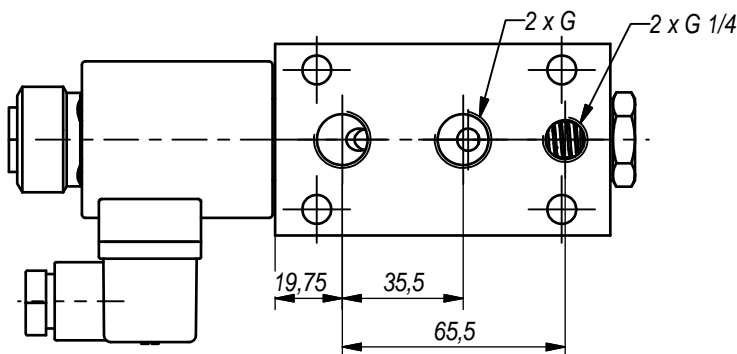
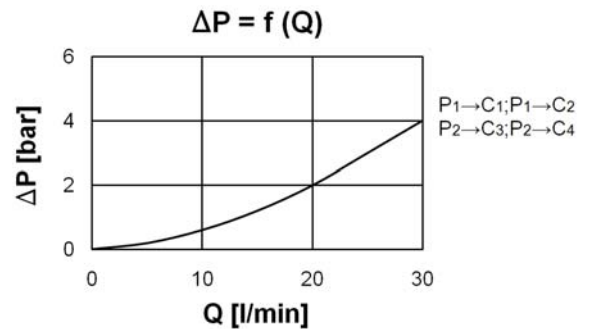
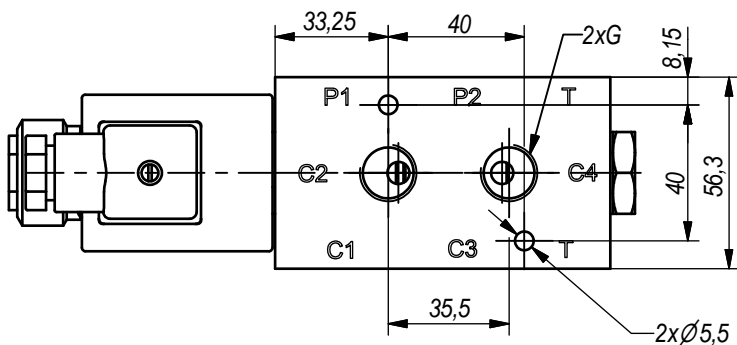
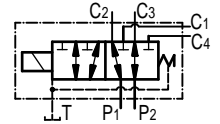
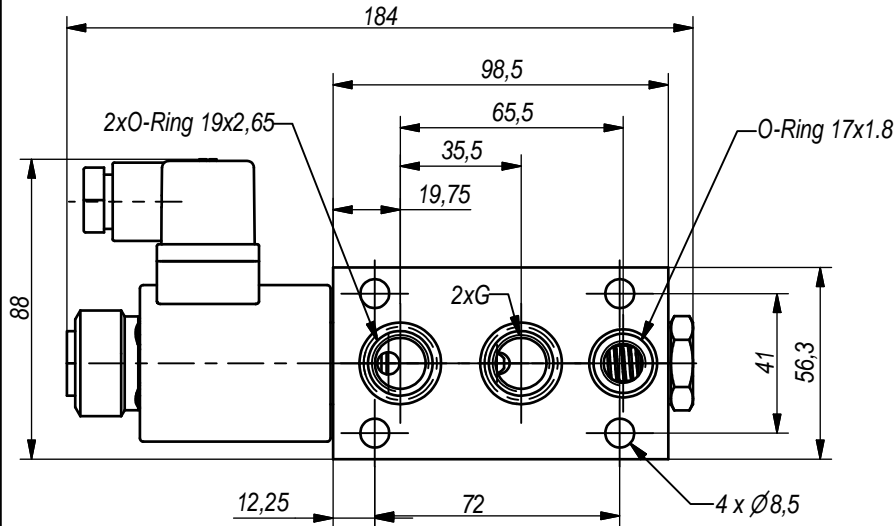


**Hidro
Pnevmo
Tehnika**

3. Vojeli St., Kazanlak, Bulgaria
Tel.: +359 431/62 228
Fax.: +359 431/62 019
e-mail : info@hpt-bg.com
www.hpt-bg.com

6/2 DIRECTIONAL SOLENOID-OPERATED VALVE

. RS06 T 38/ ..



Note:

- All performances and calibration are carried out by using hydraulic oil with viscosity approx 46 cSt at 50 °C.
- Tightening torque for solenoid - 25 N.m.

TECHNICAL DATA		
General		
Ambient temperature	°C	-20...+50
Hydraulic		
Nominal pressure	bar	200
Nominal flow rate	L/min	30
Working fluid – mineral oil		
- viscosity	mm ² /s	10...100
- filtration level	µm	25 or better
- temperature	°C	-20...+80
Electrical		
Voltage of operating solenoid	VDC	12 24
	VAC	110/50Hz 220/50Hz

ORDERING CODE

RS06 T 38 / 12

Number of sections: **2,3,4**
One section: **Omit**

Type

Port threads "G" - code:
G3/8" - 38

Operating voltage - code:
12V / 00Hz - 12
24V / 00Hz - 24
110/50Hz - 110
220/50Hz - 220