

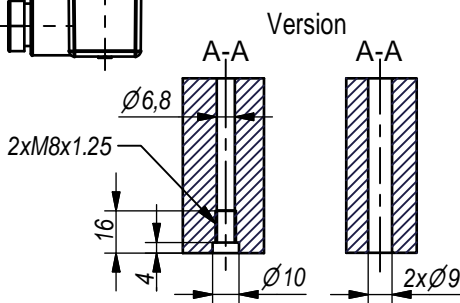
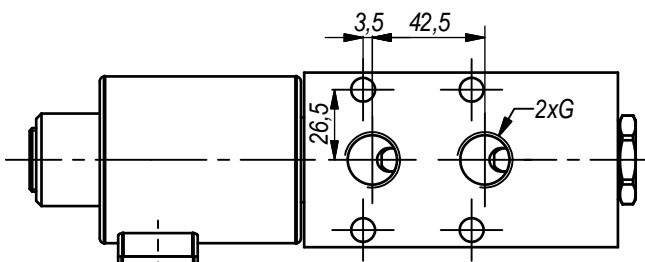
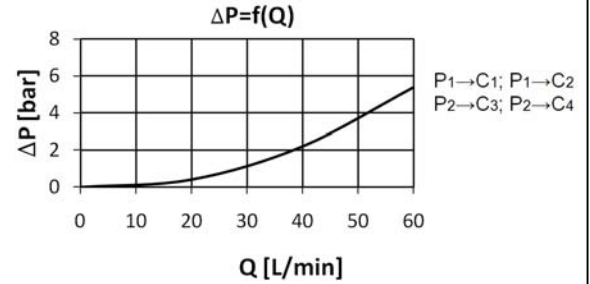
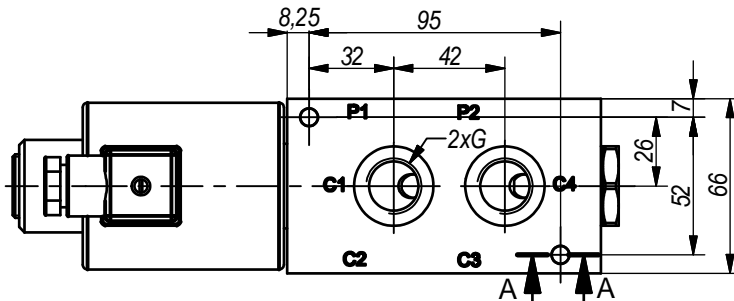
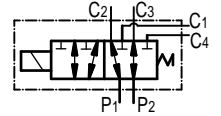
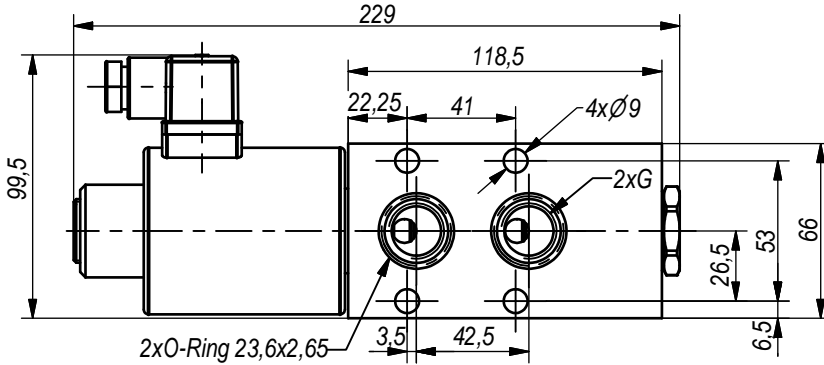
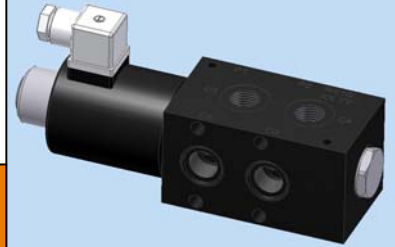


**Hidro
Pnevmotekhnika**

3, Vojeli St., Kazanlak, Bulgaria
Tel.: +359 431/62 228
Fax.: +359 431/62 019
e-mail : info@hpt-bg.com
www.hpt-bg.com

6/2 DIRECTIONAL SOLENOID-OPERATED VALVE

. RS10 .. / ..



Note:

- All performances and calibration are carried out by using hydraulic oil with viscosity approx 46 cSt at 50 °C.
- Tightening torque for solenoid - 30 N.m.

TECHNICAL DATA		
General		
Ambient temperature	°C	-20...+50
Hydraulic		
Nominal pressure	bar	200
Nominal flow rate	L/min	50
Working fluid – mineral oil		
- viscosity	mm ² /s	10...100
- filtration level	µm	25 or better
- temperature	°C	-20...80
Elektrical		
Voltage of operating solenoid	V DC	12 24
	V AC	110/50Hz 220/50Hz

ORDERING CODE

RS10 .. / 12

Number of sections: **2,3,4**
One section: **Omit**

Type

Port threads "G" - code
G1/2" - omit

Operating voltage - code:
12V / 00Hz - 12
24V / 00Hz - 24
110V/50Hz - 110
220V/50Hz - 220

Version - code:
2xM8 - omit
2xØ9 - B