

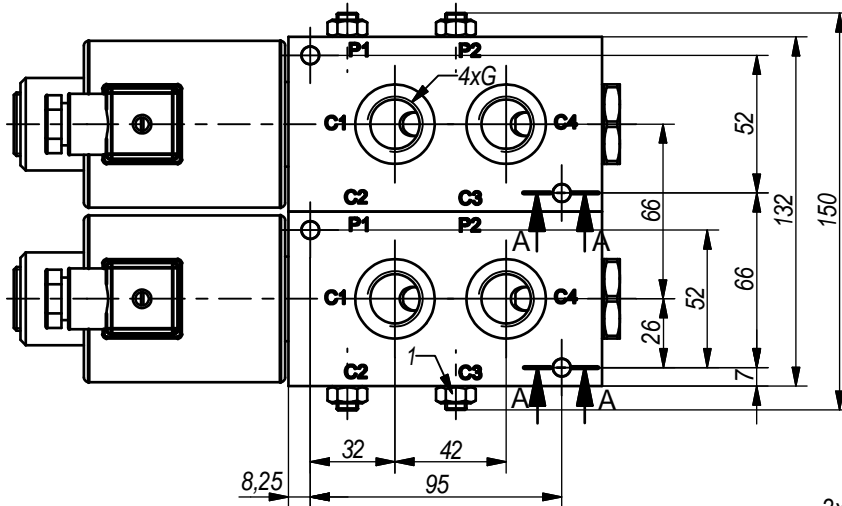
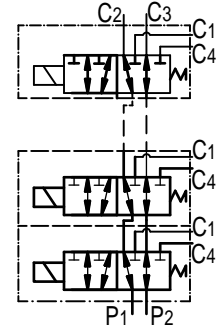
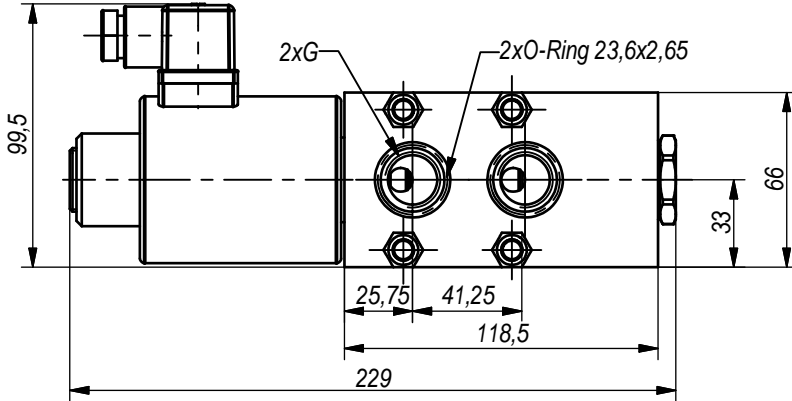
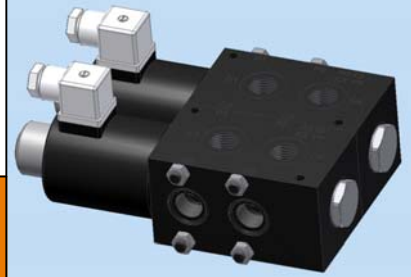


**Hidro  
Pnevmo  
Tehnika**

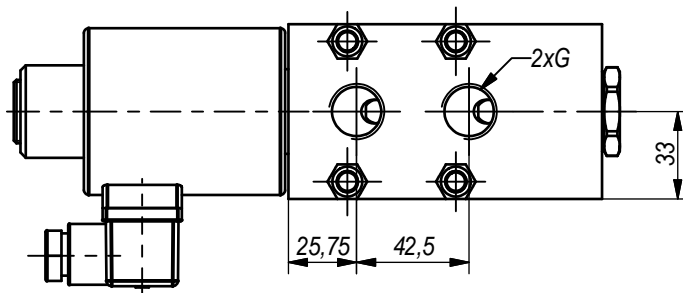
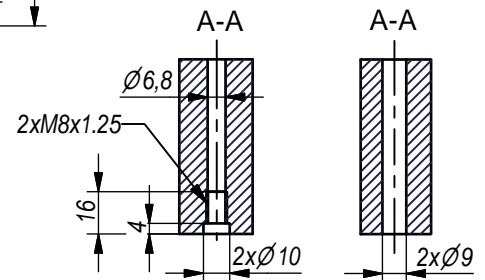
3, Vojeli St., Kazanlak, Bulgaria  
Tel.: +359 431/62 228  
Fax.: +359 431/62 019  
e-mail : info@hpt-bg.com  
www.hpt-bg.com

## 6/2 DIRECTIONAL SOLENOID-OPERATED VALVE

**. RS10 .. / ..**



Version



Note:

1. It is possible to make blocks with up to 10 directional control valves. A block with 2 valves is shown.
2. Technical data see page 1.7.
3. Tightening torque for solenoid - 30 N.m.
4. Tightening torque for nuts position 1 - 20...23 N.m.

### ORDERING CODE

**2 RS10 .. / 12 B**

Number of sections: **2,3,4**  
One section: **Omit**

Type

Port threads "G" - code  
**G1/2" - omit**

Operating voltage - code:  
**12V / 00Hz - 12**  
**24V / 00Hz - 24**  
**110V/50Hz - 110**  
**220V/50Hz - 220**

Version - code:  
**2xM8 - omit**  
**2xØ9 - B**