

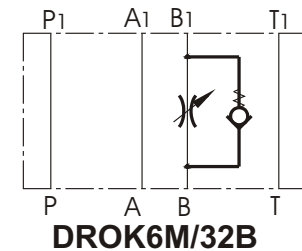
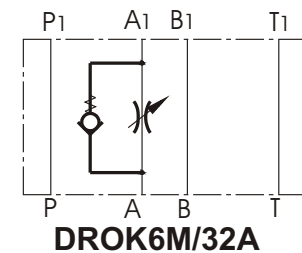
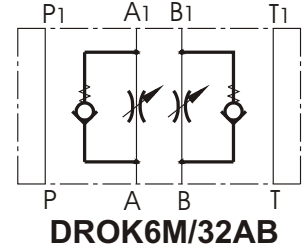
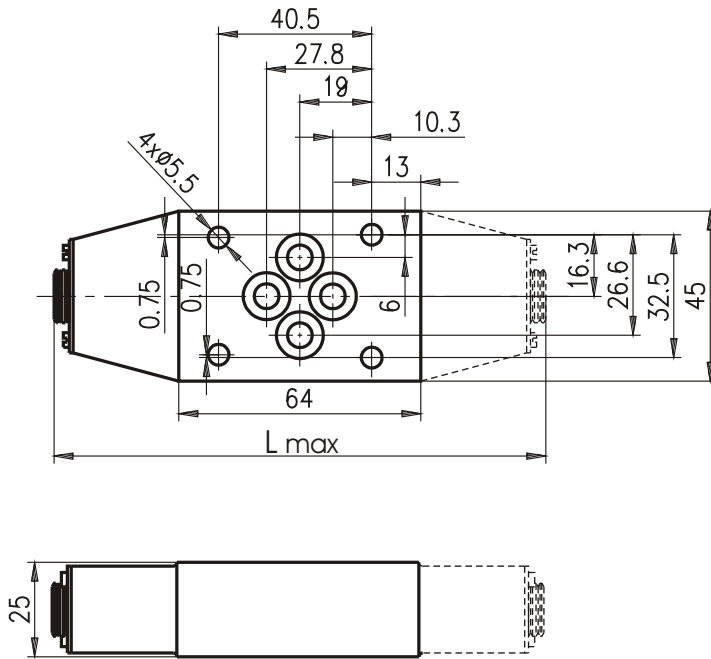


**Hidro  
Pnevmo  
Tehnika**

3, Vojeli St., Kazanlak, Bulgaria  
 Tel.: +359 431/ 62 228  
 Fax : +359/ 62 019  
 e-mail : info@hpt-bg.com  
 www.hpt-bg.com

**NEEDLE VALVE  
WITH CHECK VALVE**

**DROK6M/32 ..**



Type	Q <sub>nom</sub>	P <sub>max.</sub>	L <sub>max</sub>
	L/min	bar	mm
DROK6M/ 32AB	20	320	140
DROK6M/ 32A			102
DROK6M/ 32B			102

All performances and calibration are carried out by using hydraulic oil with viscosity approx. 46 cSt at 50 °C .  
 Temperature range: -20 °C...+80 °C  
 .Filtration absolute: 25 µm

**ORDERING CODE**

**DROK6M/32 AB**

