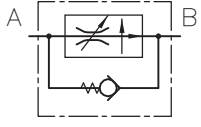

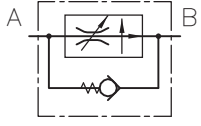

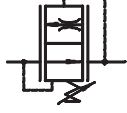

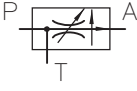

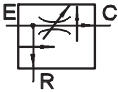

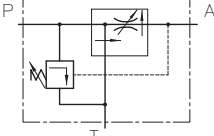

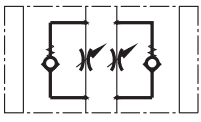
 Page 3.1	<b>RD2 ..</b> 
 Page 3.2	<b>RD2- .. N</b> 
 Page 3.3	<b>SB .. ..</b> 
 Page 3.4	<b>VRF C3I/..</b> 
 Page 3.5	<b>VRF C3C/I/..</b> 
 Page 3.6	<b>VRF C3V/VS..</b> 
 Page 3.7	<b>DROK6M/32 ..</b> 

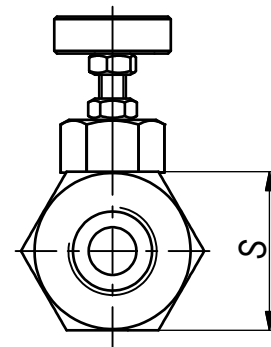
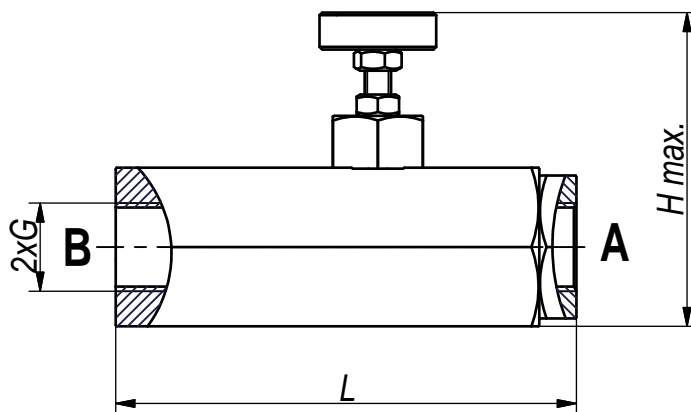
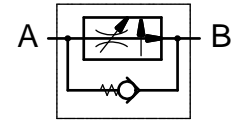
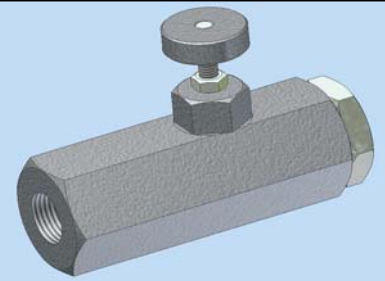


**Hidro  
Pnevmo  
Tehnika**

3, Vojeli St., Kazanlak, Bulgaria  
Tel.: +359 431/62 228  
Fax.: +359 431/62 019  
e-mail : info@hpt-bg.com  
www.hpt-bg.com

## FLOW CONTROL VALVE

**RD2 ..**



Type	P <sub>max.</sub> bar	Q <sub>max.</sub> L/min	Q <sub>min.</sub> L/min	L mm	H mm	G	S mm
RD2-10	250	10	1	83	54	G1/4	30
RD2-25		25	1,5	87	60	M18x1,5	30
RD2-25-38		25	1,5	87	60	G3/8	30
RD2-40		40	1,5	87	70	G3/8	36
RD2-40-12		40	1,5	101	70	G1/2	32

All performances and calibration are carried out by using hydraulic oil with viscosity approx. 46 cSt at 50 °C .  
Temperature range: -20 °C...+80 °C  
Filtration absolute: 15 µm

### ORDERING CODE

**RD2 10**

Type

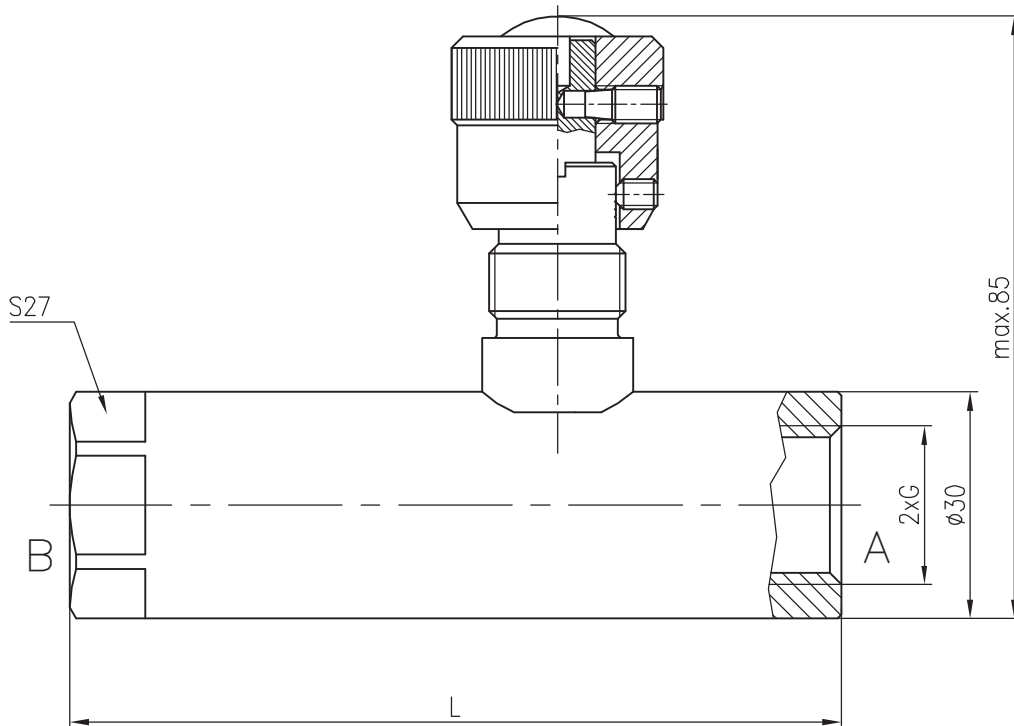
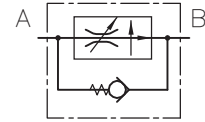


**Hidro  
Pnevmo  
Tehnika**

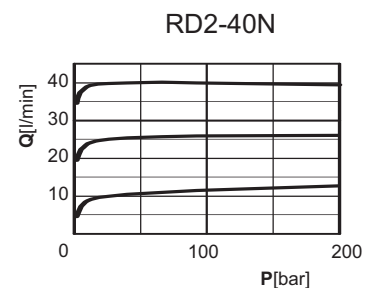
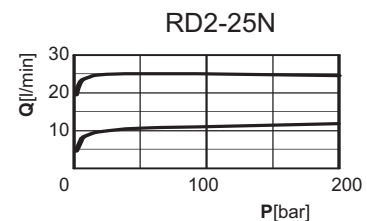
3, Vojeli St., Kazanlak, Bulgaria  
 Tel.: +359 431/ 62 228  
 Fax : +359/ 62 019  
 e-mail : info@hpt-bg.com  
 www.hpt-bg.com

**FLOW CONTROL VALVE**

**RD2 - .. N**

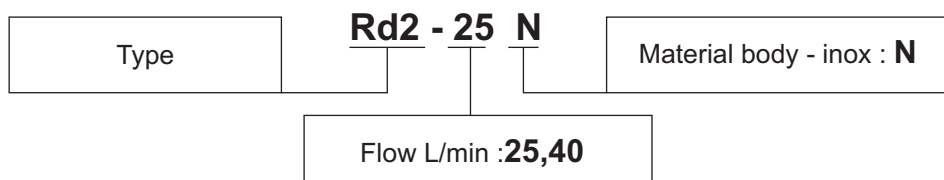


Type	$Q_{max}$	$Q_{min.}$	$P_{max.}$	L	G
	L/min	L/min			
RD2-25N	25	2	200	92	G3/ 8"
RD2-40N	40	3		102	G1/ 2"



All performances and calibration are carried out by using hydraulic oil with viscosity approx. 46 cSt at 50 °C .  
 Temperature range: -20 °C...+80 °C.  
 Filtration absolute: 25 µm  
 Material body - inox

**ORDERING CODE**





**Hidro  
Pnevmotekhnika**

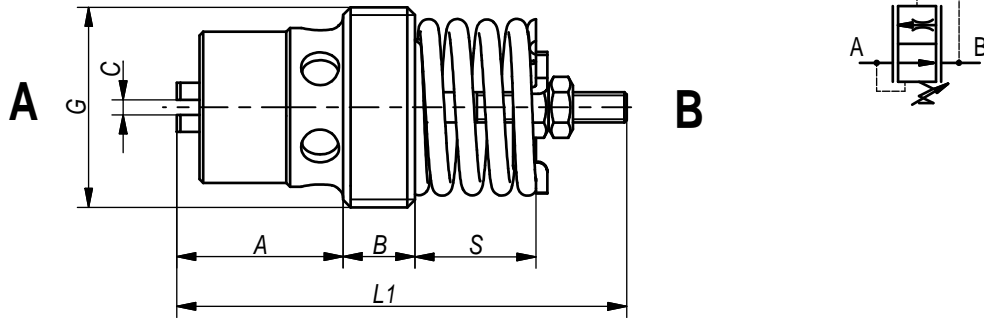
3, Vojeli St., Kazanlak, Bulgaria  
Tel.: +359 431/62 228  
Fax.: +359 431/62 019  
e-mail : info@hpt-bg.com  
www.hpt-bg.com

## ADJUSTABLE FLOW-LIMITING VALVE

**SB . . . . .**

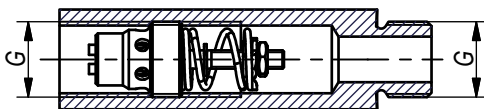


### Type C

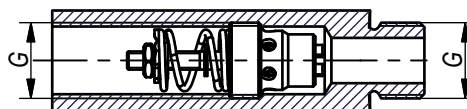


Type	Flow rate variation ratio	Setting range for S mm	Working pressure range bar	L1 mm	A mm	B mm	C mm	G
	L/min.							
SB 11 C	2,5...4	9,5...14,5	15...320	43	13,5	7	1,2	G3/8
SB 13 C	4...6,3							
SB 15 C	6,3...10							
SB 17 C	10...16							
SB 19 C	16...25							
SB 21 C	16...21	13...18,5		49	16	8	2	G1/2
SB 23 C	21...28							
SB 25 C	28...37							
SB 27 C	37...50							
SB 29 C	50...67	16...22		61	21	10	2	G3/4
SB 31 C	37...50							
SB 33 C	50...67							
SB 35 C	67...90							
SB 37 C	90...120							
SB 39 C	120...150							

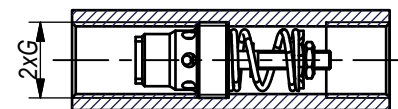
### Type M



### Type M1



### Type F



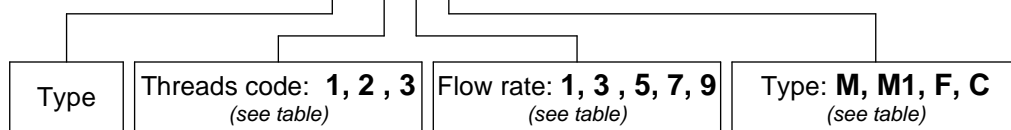
Type	G	L	S
		mm	mm
SB ... M(M1)	G3/8	82	22
SB ... M(M1)	G1/2	96	27
SB ... M(M1)	G3/4	106	36

Type	G	L	S
		mm	mm
SB ... F	G3/8	70	22
SB ... F	G1/2	80	27
SB ... F	G3/4	100	36

All performances and calibration are carried out by using hydraulic oil with viscosity approx. 46 cSt at 50 °C  
Temperature range -20...+80 °C  
Filtration absolute 25 μm

## ORDERING CODE

**SB 1 1 C**





**Hidro  
Pnevmo  
Tehnika**

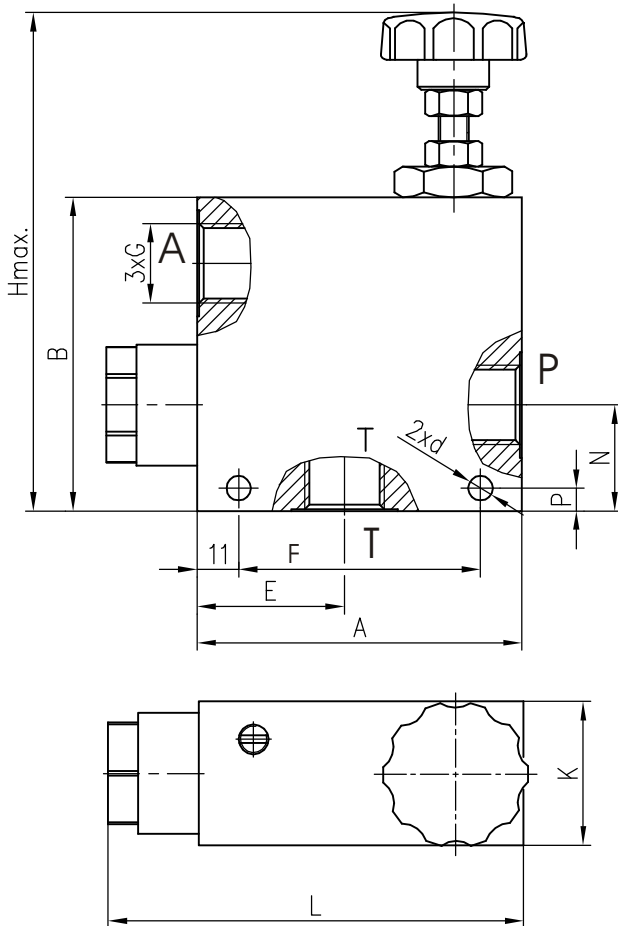
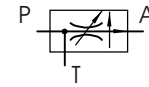
3, Vojeli St., Kazanlak, Bulgaria  
Tel.: +359 431/ 62 228  
Fax : +359/ 62 019  
e-mail : info@hpt-bg.com  
www.hpt-bg.com

**FLOW CONTROL VALVE  
THREE-WAY**

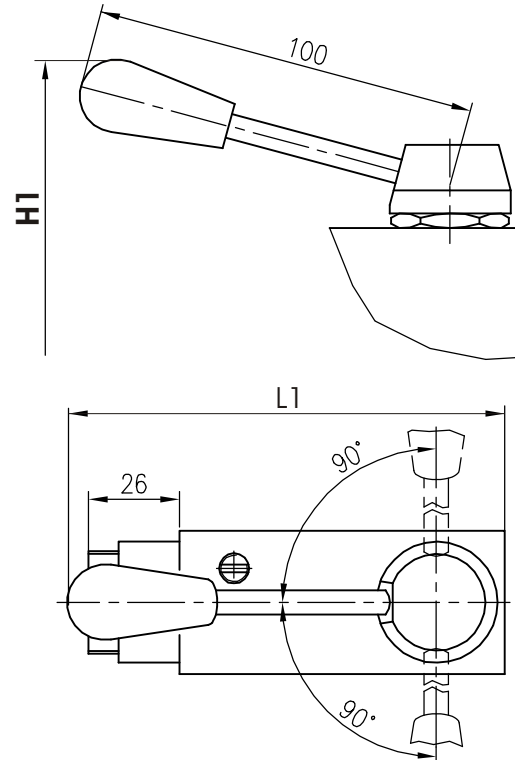
**VRF C3/./..**



**VRF C3/V/..**



**VRF C3/L/..**

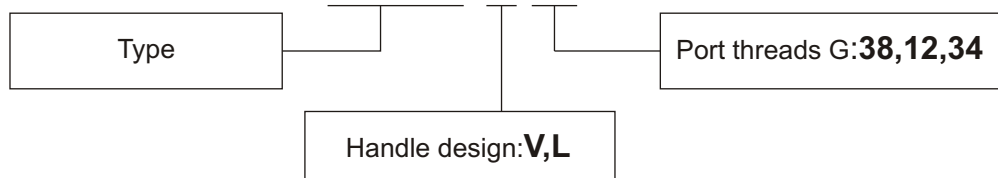


Type	Q <sub>max.</sub> [l/ min]		P <sub>max.</sub> bar	G	A mm	B mm	E mm	F mm	N mm	P mm	K mm	H mm	H1 mm	L mm	L1 mm	d mm
	At port P	At port A														
VRF C3/ ././38	50	30	250	G 3/ 8"	86	83	39	64	28	6	38	120	132	112	118	6,5
VRF C3/ ././12	80	50		G 1/ 2"	95	110	39	75	35	7	50	147	160	121	130	8.5
VRF C3/ ././34	120	70		G 3/ 4"												

All performances and calibration are carried out by using hydraulic oil with viscosity approx. 46 cSt at 50 °C.  
Temperature range: -20 °C...+80 °C.  
Filtration absolute: 25µm

**ORDERING CODE**

**VRF C3/V/38**



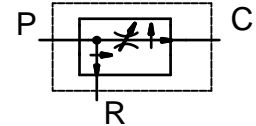
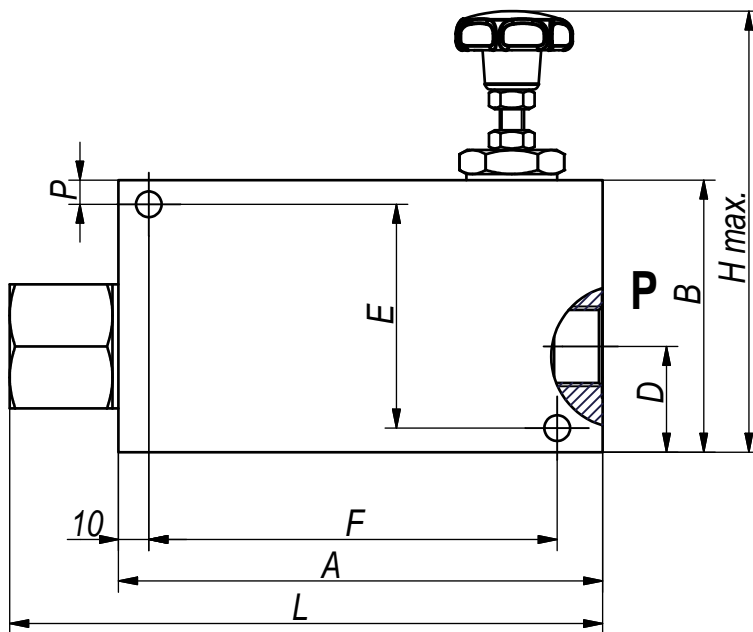
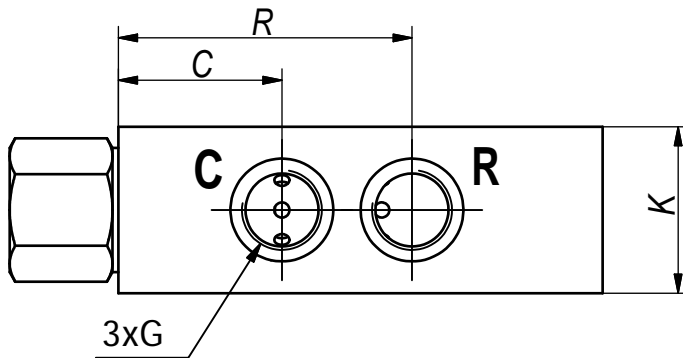


**Hidro  
Pnevmotekhnika**

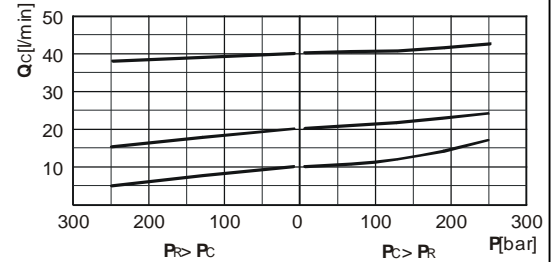
3, Vojeli St., Kazanlak, Bulgaria  
Tel.: +359 431/62 228  
Fax.: +359 431/62 019  
e-mail : info@hpt-bg.com  
www.hpt-bg.com

## FLOW CONTROL VALVE THREE-WAY

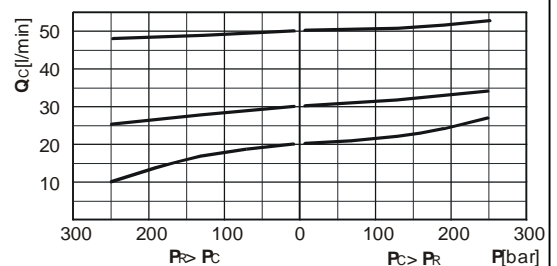
**VRF C3C/V/..**



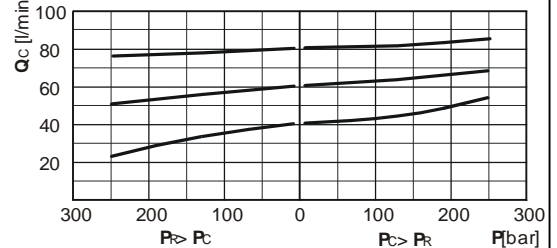
VRF C3C/V/38



VRF C3C/V/12



VRF C3C/V/34



Type	P <sub>max.</sub> bar	Q <sub>max.</sub> (L/min)		G	A	B	C	E	F	P	K	R	H	L	d
		At port P	At port C												
VRF C3C/V/38	250	60	40	G3/8	132.5	70	45	58	114	6	40	82	105	167	6,5
VRF C3C/V/12		90	50	G1/2											
VRF C3C/V/34		165	90	G3/4	160	90	57	74	135	8	50	101	150	191	8,5

All performances and calibration are carried out by using hydraulic oil with viscosity approx. 46 cSt at 50 °C .  
Temperature range: -20 °C...+80 °C  
Filtration absolute: 15 µm

### ORDERING CODE

**VRF C3C/V/ 38**

Type

Port threads G: **38, 12, 34**

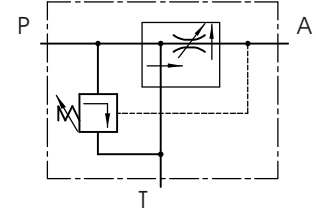
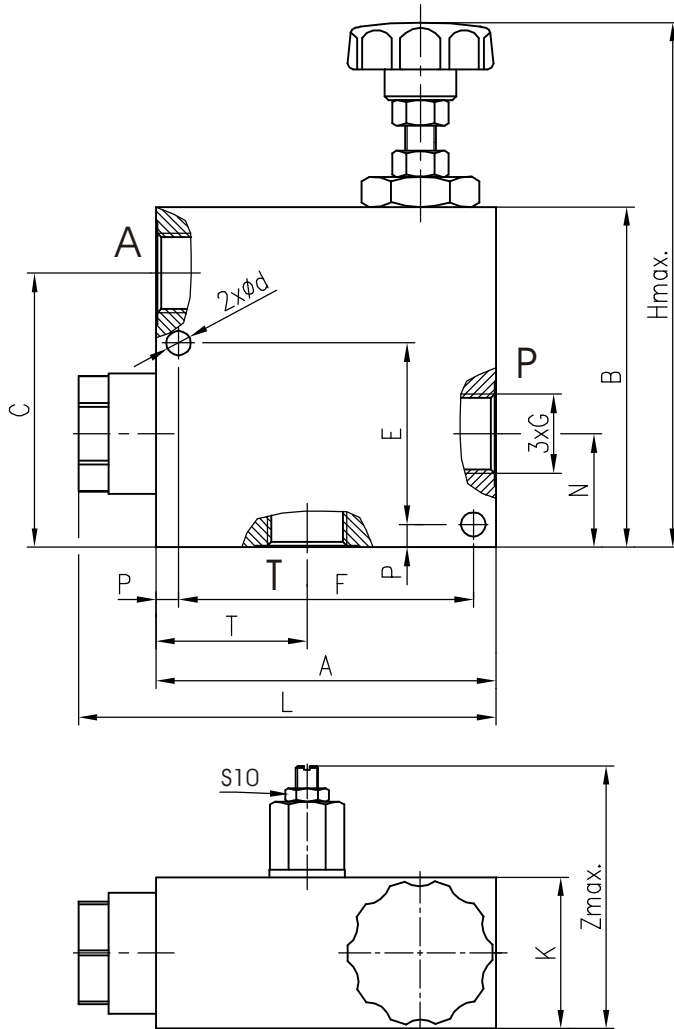
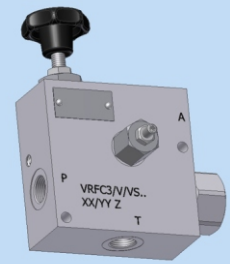


**Hidro  
Pnevmo  
Tehnika**

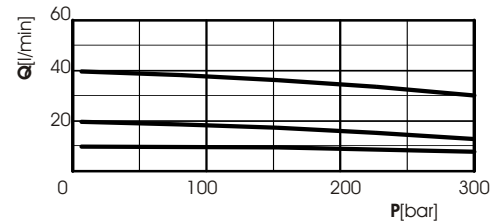
3, Vojeli St., Kazanlak, Bulgaria  
Tel.: +359 431/ 62 228  
Fax : +359/ 62 019  
e-mail : info@hpt-bg.com  
www.hpt-bg.com

**FLOW CONTROL VALVE  
THREE-WAY**

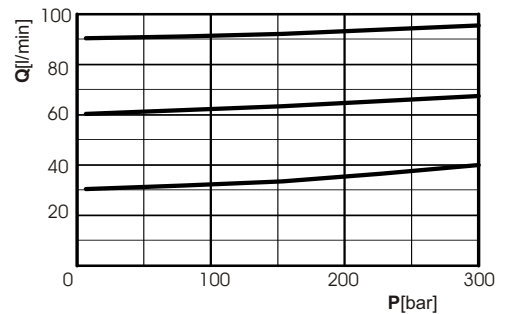
**VRF C3/V/S ..**



VRF C3/V/S38  
VRF C3/V/S12



VRF C3/V/S34  
P→A



Type	P <sub>max.</sub>	Q <sub>max</sub> (L/min)		G	A	C	E	F	N	P	K	H	L	d	Z	T
	bar	At port P	At port A													
VRF C3/V/VS38	250	60	40	G 3/8"	90	72,5	48	78	30	6	40	129	110,5	6,5	71	40
VRF C3/V/VS12		90	50	G 1/2"												
VRF C3/V/VS34		150	90	90	G 3/4"	110	85	55,5	94	35	8	49	144	145	8,5	80

All performances and calibration are carried out by using hydraulic oil with viscosity approx. 46 cSt at 50 °C.  
Temperature range: -20 °C...+80 °C. Filtration absolute: 25µm  
Valve setting pressure 15...20 bar over the working pressure.

**ORDERING CODE**

**VRF C3/V/VS38**

Type

Port threads G: **38,12,34**

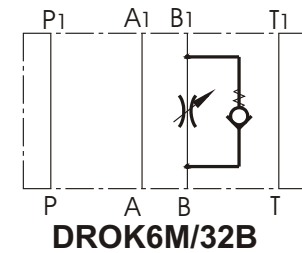
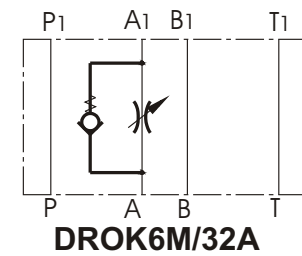
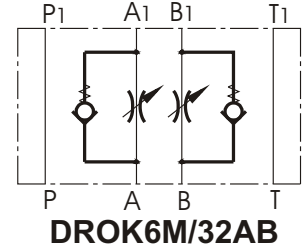
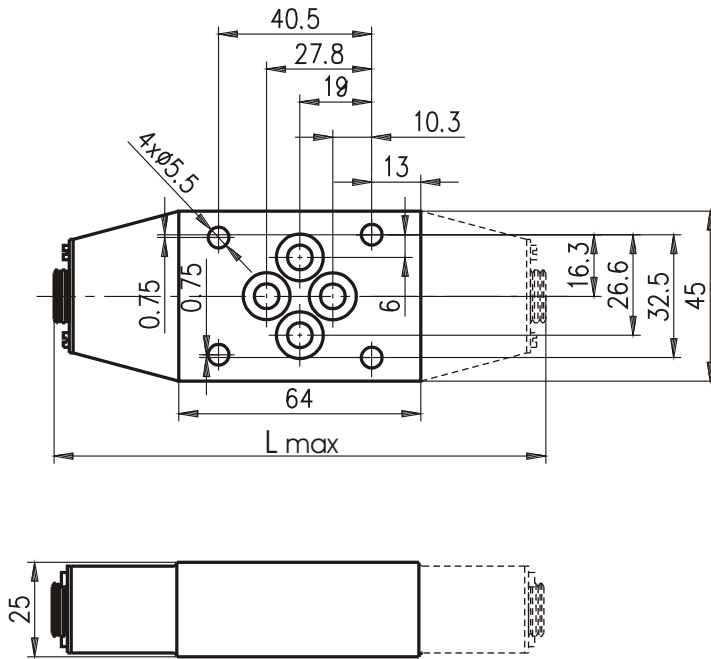


**Hidro  
Pnevmo  
Tehnika**

3, Vojeli St., Kazanlak, Bulgaria  
 Tel.: +359 431/ 62 228  
 Fax : +359/ 62 019  
 e-mail : info@hpt-bg.com  
 www.hpt-bg.com

**NEEDLE VALVE  
WITH CHECK VALVE**

**DROK6M/32 ..**



Type	Q <sub>nom</sub>	P <sub>max.</sub>	L <sub>max</sub>
	L/ min	bar	mm
DROK6M/ 32AB	20	320	140
DROK6M/ 32A			102
DROK6M/ 32B			102

All performances and calibration are carried out by using hydraulic oil with viscosity approx. 46 cSt at 50 °C .  
 Temperature range: -20 °C...+80 °C  
 .Filtration absolute: 25 µm

**ORDERING CODE**

**DROK6M/32 AB**

