



**Hidro  
Pnevmo  
Tehnika**

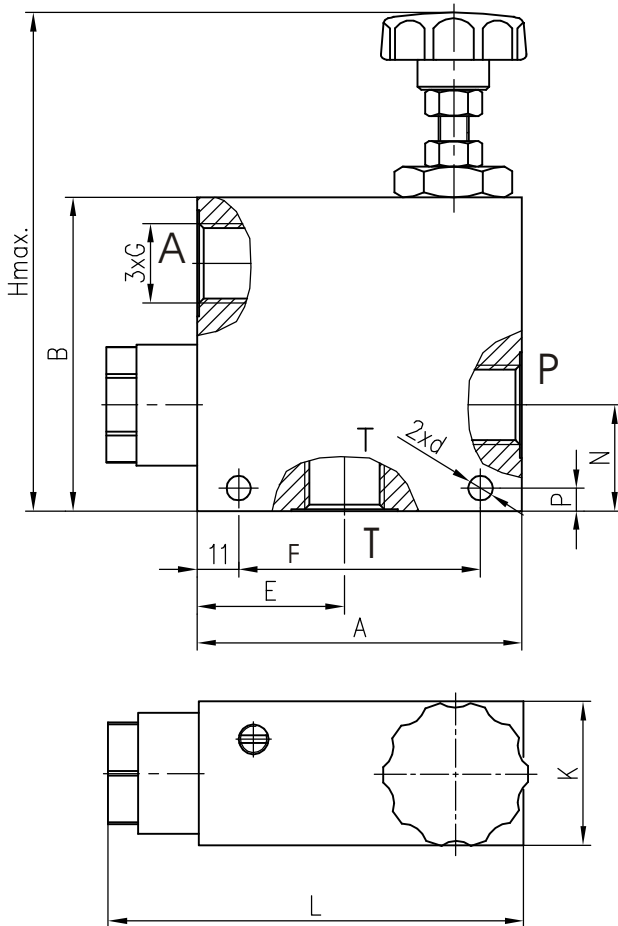
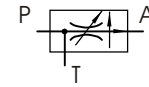
3, Vojeli St., Kazanlak, Bulgaria  
Tel.: +359 431/ 62 228  
Fax : +359/ 62 019  
e-mail : info@hpt-bg.com  
www.hpt-bg.com

**FLOW CONTROL VALVE  
THREE-WAY**

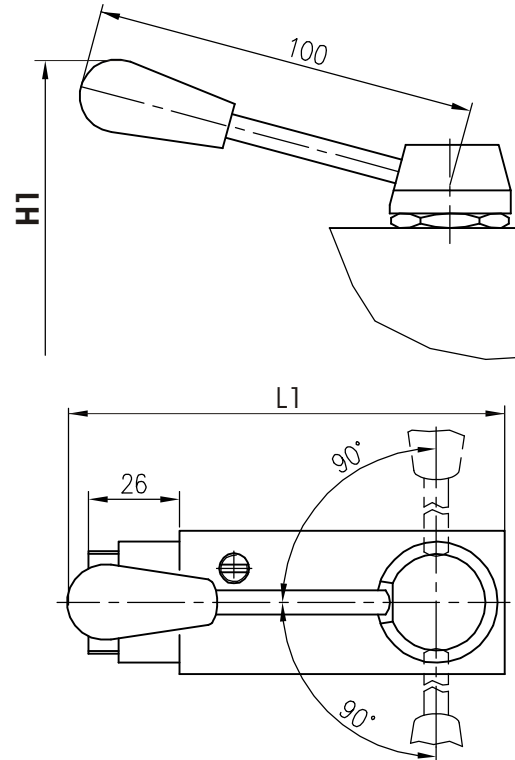
**VRF C3/./..**



**VRF C3/V/..**



**VRF C3/L/..**



Type	Q <sub>max.</sub> [l/ min]		P <sub>max.</sub> bar	G	A mm	B mm	E mm	F mm	N mm	P mm	K mm	H mm	H1 mm	L mm	L1 mm	d mm
	At port P	At port A														
VRF C3/ ././38	50	30	250	G 3/ 8"	86	83	39	64	28	6	38	120	132	112	118	6,5
VRF C3/ ././12	80	50		G 1/ 2"	95	110	39	75	35	7	50	147	160	121	130	8.5
VRF C3/ ././34	120	70		G 3/ 4"												

All performances and calibration are carried out by using hydraulic oil with viscosity approx. 46 cSt at 50 °C.  
Temperature range: -20 °C...+80 °C.  
Filtration absolute: 25µm

**ORDERING CODE**

**VRF C3/V/38**

