

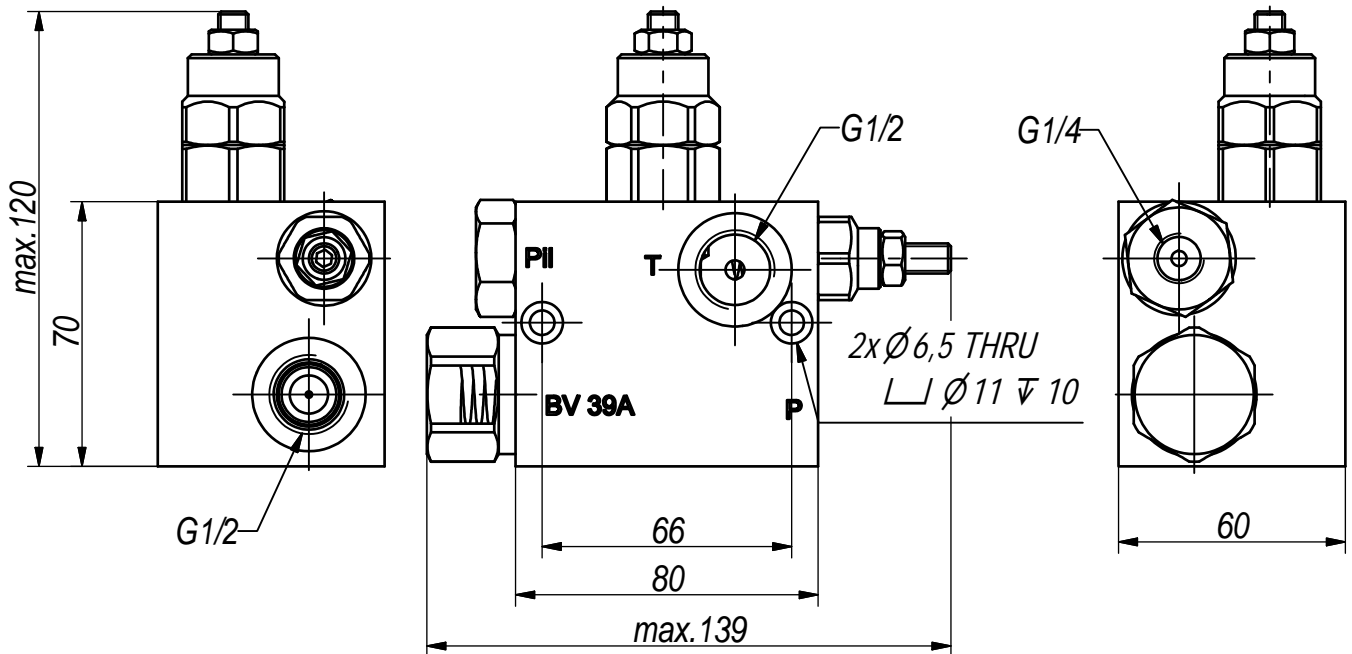
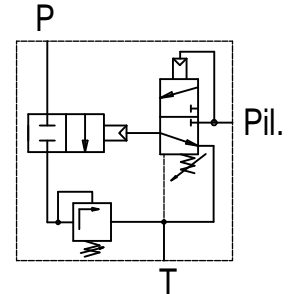
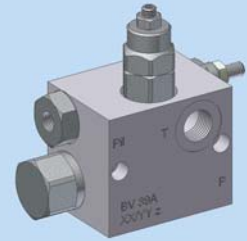


**Hidro  
Pnevmo  
Tehnika**

3, Vojeli St., Kazanlak, Bulgaria  
Tel.: +359 431/62 228  
Fax.: +359 431/62 019  
e-mail : info@hpt-bg.com  
www.hpt-bg.com

## VALVE BLOCK

# BV39A



TECHNICAL DATA		
	Measurement unit	Value
Nom. pressure	bar.	250
Max. flow through relief valve	L/min	80
Max. flow through main valve	L/min	160
Adj. pressure range relief valve	bar	160

All performances and calibration are carried out by using hydraulic oil with viscosity approx 46 cSt at 50 °C  
Temperature range -20...+80 °C  
Filtration absolute 25 µm

## ORDERING CODE

**BV39A**

