

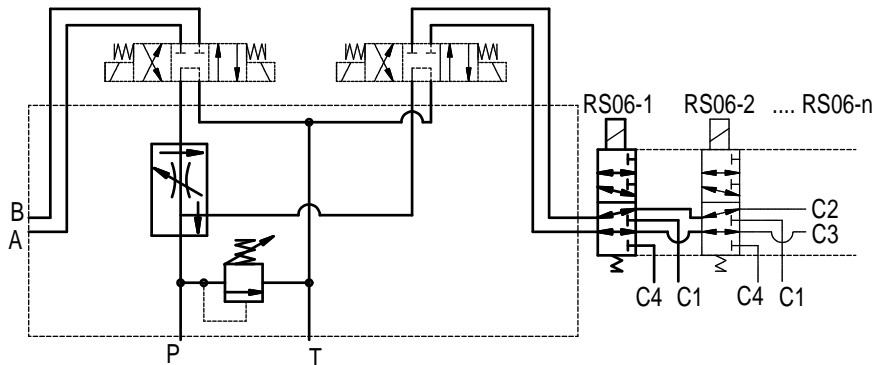
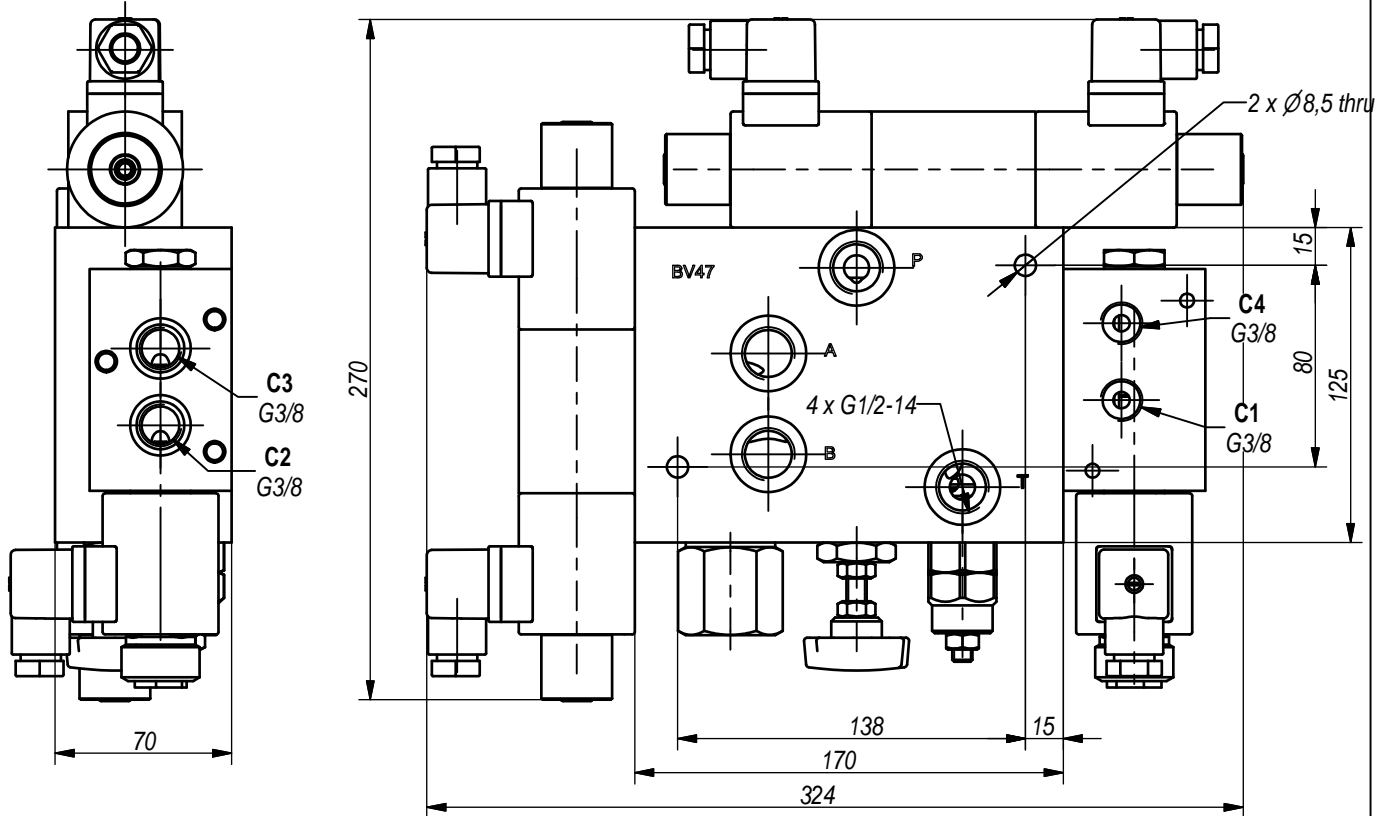
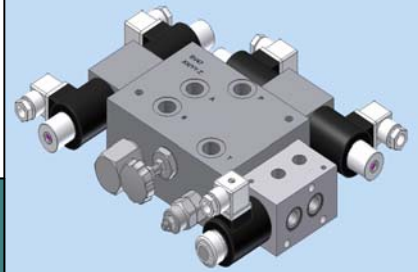


**Hidro
Pnevmo
Tehnika**

3, Vojeli St., Kazanlak, Bulgaria
Tel.: +359 431/62 228
Fax.: +359 431/62 019
e-mail : info@hpt-bg.com
www.hpt-bg.com

HYDRAULIC BLOCK

BV 47



All performances and calibration are carried out by using hydraulic oil with viscosity approx 46 cSt at 50 °C
Temperature range -20...+80 °C
Filtration absolute 25 µm

TECHNICAL DATA

	Measurement unit	Value
Adj. pressure range of relief valve	bar.	30...250
Nominal flow rate of P and T	L/min	40
Nominal flow rate of A and B	L/min	25
Power supply	VDC	12,24

ORDERING CODE

BV 47 / 1 RS06V3812

