

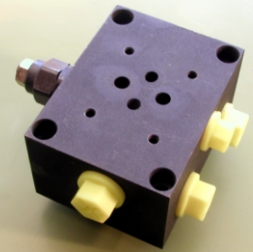


**Hidro  
Pnevmo  
Tehnika**


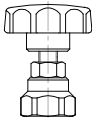
3, Vojeli St., Kazanlak, Bulgaria  
Tel.: +359 431/ 62 228  
Fax : +359/ 62 019  
e-mail : info@hpt-bg.com  
www.hpt-bg.com

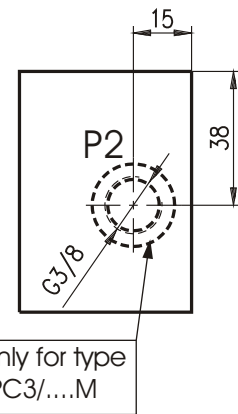
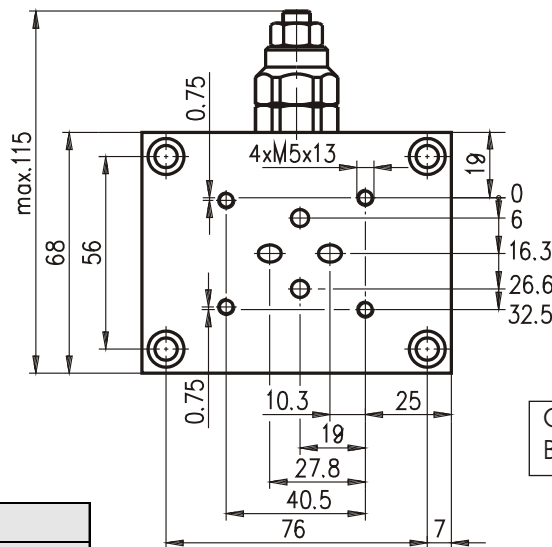
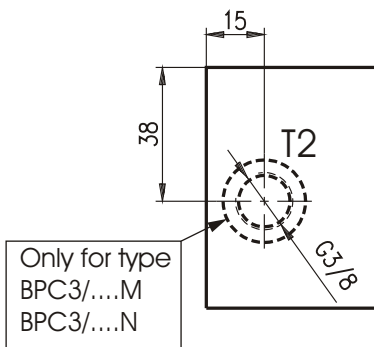
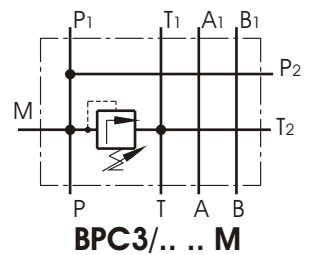
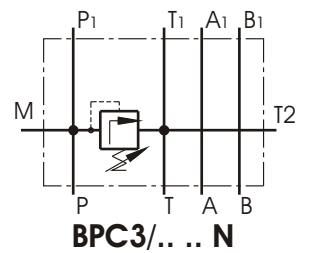
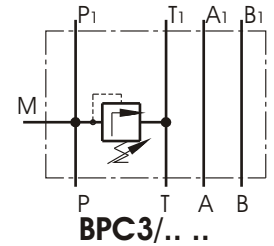
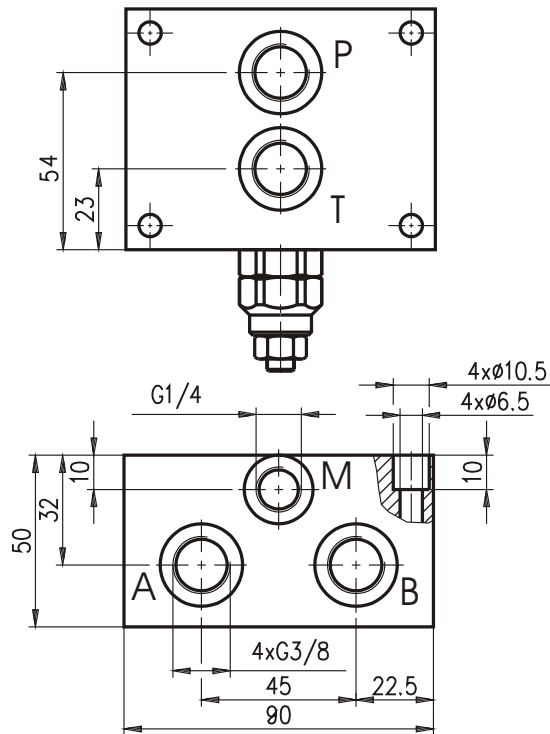
## VALVE BLOCK

### BPC3/ .....



All performances and calibration are carried out by using hydraulic oil with viscosity approx. 46 cSt at 50 °C  
Temperature range: -20 °C...+80 °C.  
Filtration absolute: 25 µm

Code	Adjustments
<b>A</b>	Leakproof hex. socket screw 
<b>B</b>	Handknob and locknut 



Pressure range			
Code	Standard setting bar (Q= 5l/ min)	Adj. pressure range bar	Colour
<b>10</b>	80	10...100	White
<b>25</b>	180	30...250	Yellow
<b>35</b>	250	70...350	Black

Type	P <sub>max.</sub> bar	Q <sub>max.</sub> L/ min
<b>BPC3/.. ..</b>	350	20

### ORDERING CODE

**BPC3 / 25 A M**



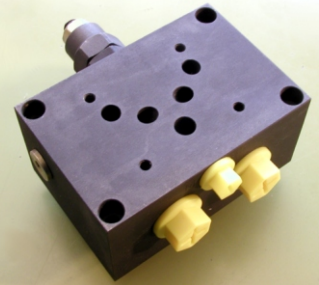


**Hidro  
Pnevmo  
Tehnika**

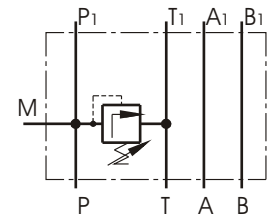
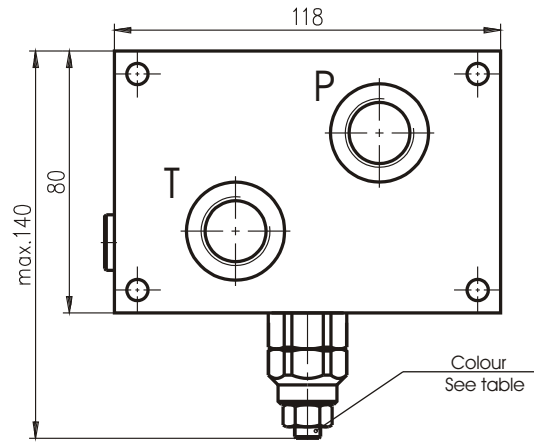
3, Vojeli St., Kazanlak, Bulgaria  
Tel.: +359 431/ 62 228  
Fax : +359/ 62 019  
e-mail : info@hpt-bg.com  
www.hpt-bg.com

## VALVE BLOCK

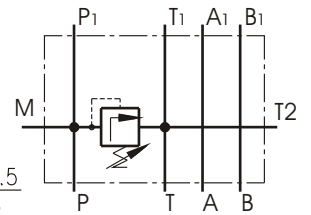
### BPC5/ ...



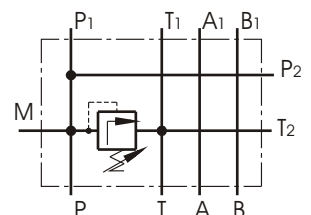
All performances and calibration are carried out by using hydraulic oil with viscosity approx. 46 cSt at 50 °C  
Temperature range: -20 °C...+80 °C  
Filtration absolute: 20 µm



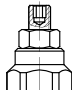
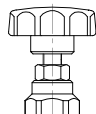
**BPC5/... ..**

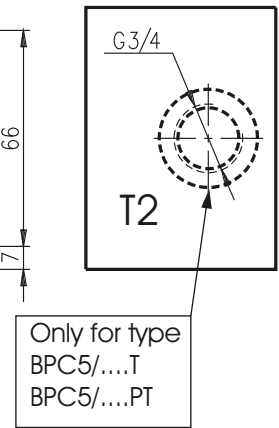
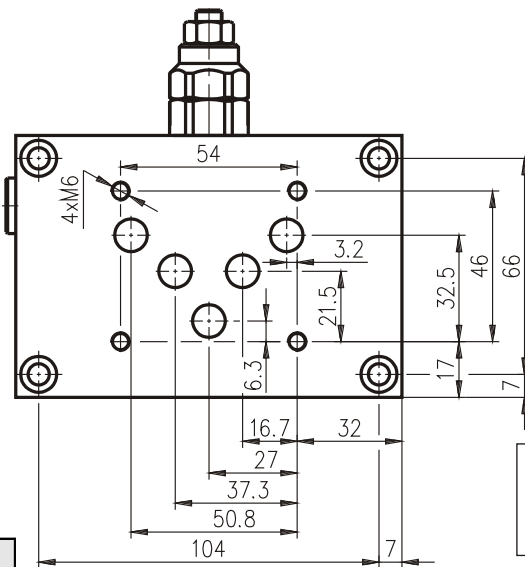
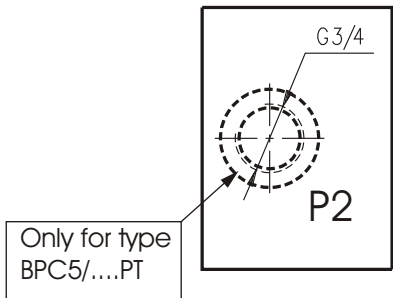
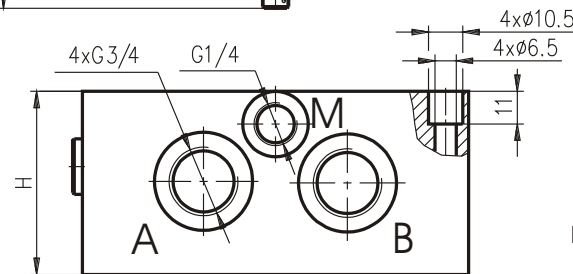


**BPC5/... .. T**



**BPC5/... .. PT**

Code	Adjustments
<b>A</b>	Leakproof hex. socket screw 
<b>B</b>	Handknob and locknut 

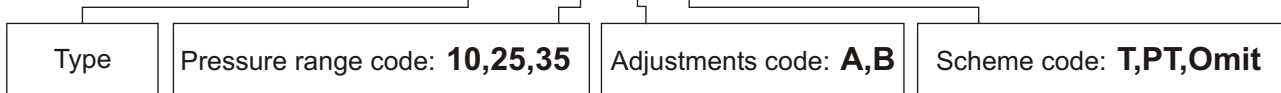


Pressure range			
Code	Standard setting bar (Q= 5l/ min)	Adj. pressure range bar	Colour
<b>10</b>	80	10..100	White
<b>25</b>	180	30..250	Yellow
<b>35</b>	250	70..350	Black

Type	P <sub>max.</sub> bar	Q <sub>max.</sub> L/ min	H mm
	<b>BPC5/ ... ..</b>	350	40
<b>BPC5/ ... .. T</b>	350	40	58
<b>BPC5/ ... .. PT</b>	350	40	68

## ORDERING CODE

**BPC5 / 25 A T**



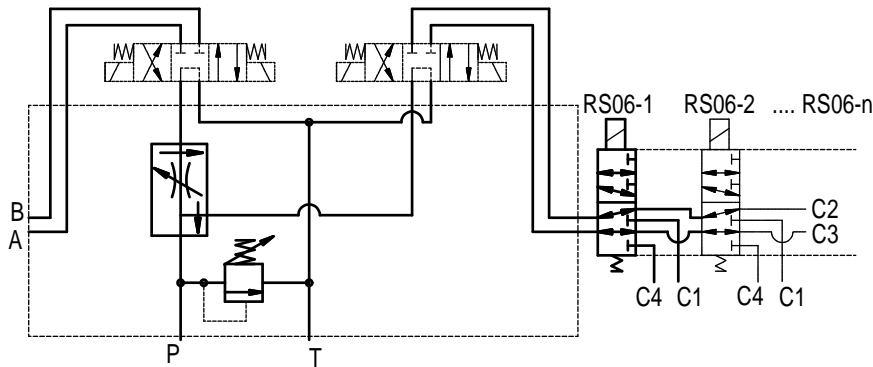
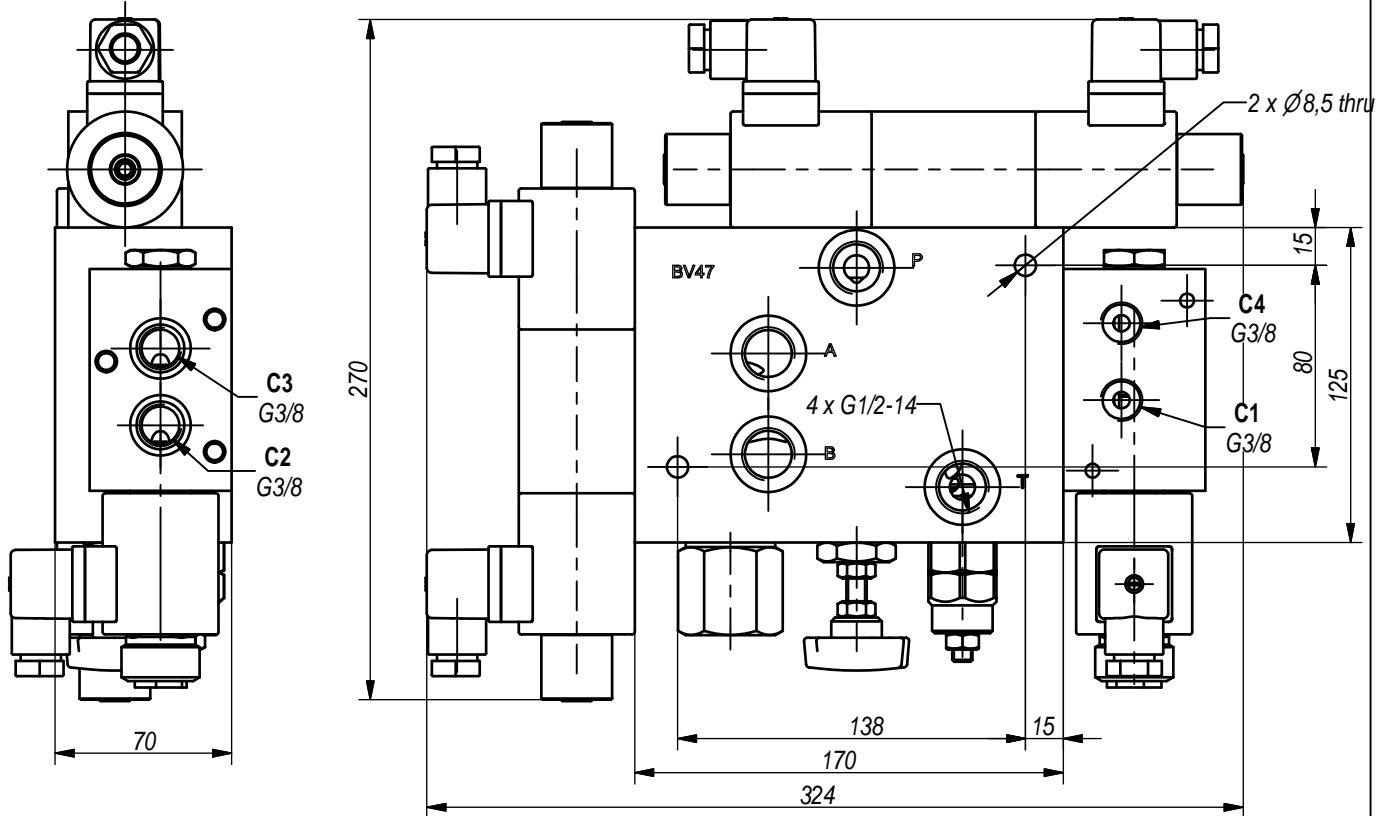
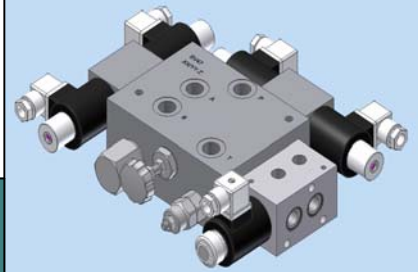


**Hidro  
Pnevmo  
Tehnika**

3, Vojeli St., Kazanlak, Bulgaria  
Tel.: +359 431/62 228  
Fax.: +359 431/62 019  
e-mail : info@hpt-bg.com  
www.hpt-bg.com

## HYDRAULIC BLOCK

### BV 47



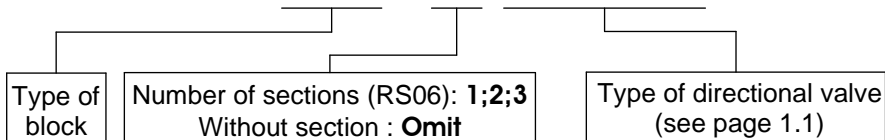
All performances and calibration are carried out by using hydraulic oil with viscosity approx 46 cSt at 50 °C  
Temperature range -20...+80 °C  
Filtration absolute 25  $\mu$ m

#### TECHNICAL DATA

	Measurement unit	Value
Adj. pressure range of relief valve	bar.	30...250
Nominal flow rate of P and T	L/min	40
Nominal flow rate of A and B	L/min	25
Power supply	VDC	12,24

### ORDERING CODE

**BV 47 / 1 RS06V3812**



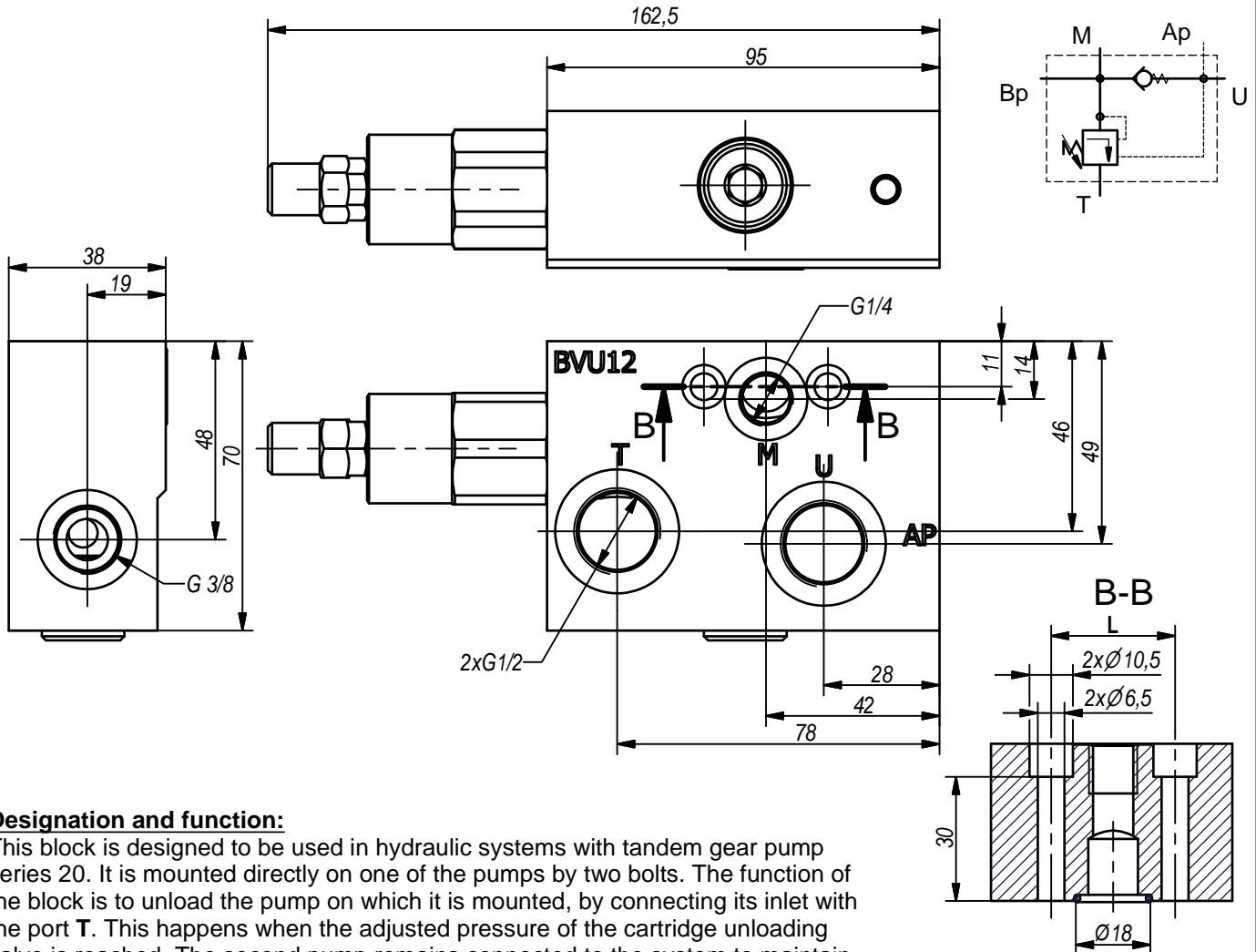


**Hidro  
Pnevmo  
Tehnika**

3, Vojeli St., Kazanlak, Bulgaria  
Tel.: +359 431/62 228  
Fax.: +359 431/62 019  
e-mail : info@hpt-bg.com  
www.hpt-bg.com

## TWO PUMP HI-LOW UNLOADING VALVE

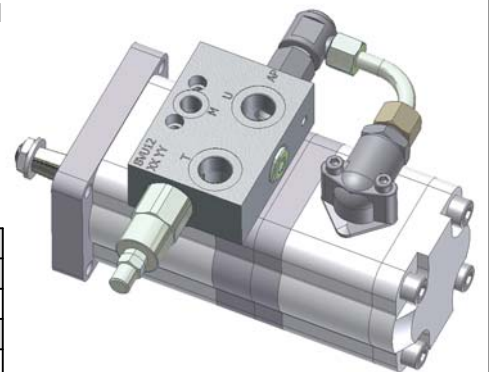
### BVU 12.



#### Designation and function:

This block is designed to be used in hydraulic systems with tandem gear pump series 20. It is mounted directly on one of the pumps by two bolts. The function of the block is to unload the pump on which it is mounted, by connecting its inlet with the port T. This happens when the adjusted pressure of the cartridge unloading valve is reached. The second pump remains connected to the system to maintain pressure. In case of pressure reduction below the adjusted rate, the unloaded pump reconnects to the system.

All performances and calibration are carried out by using hydraulic oil with viscosity approx 46 cSt at 50 °C  
Temperature range -20...+80 °C  
Filtration absolute 25  $\mu$ m

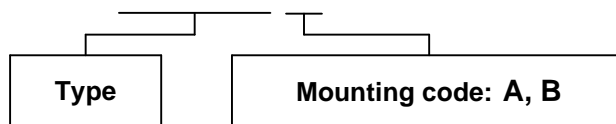


MOUNTING CODE	
	L [mm]
BVU12 A	30
BVU12 B	40

TECHNICAL DATA			
		at port Ap	at port Bp
Max working pressure	bar	210	80
Maximum flow rate	L/min	15	45
Adj. pressure range	bar	20..80	

#### ORDERING CODE

**BVU12 A**



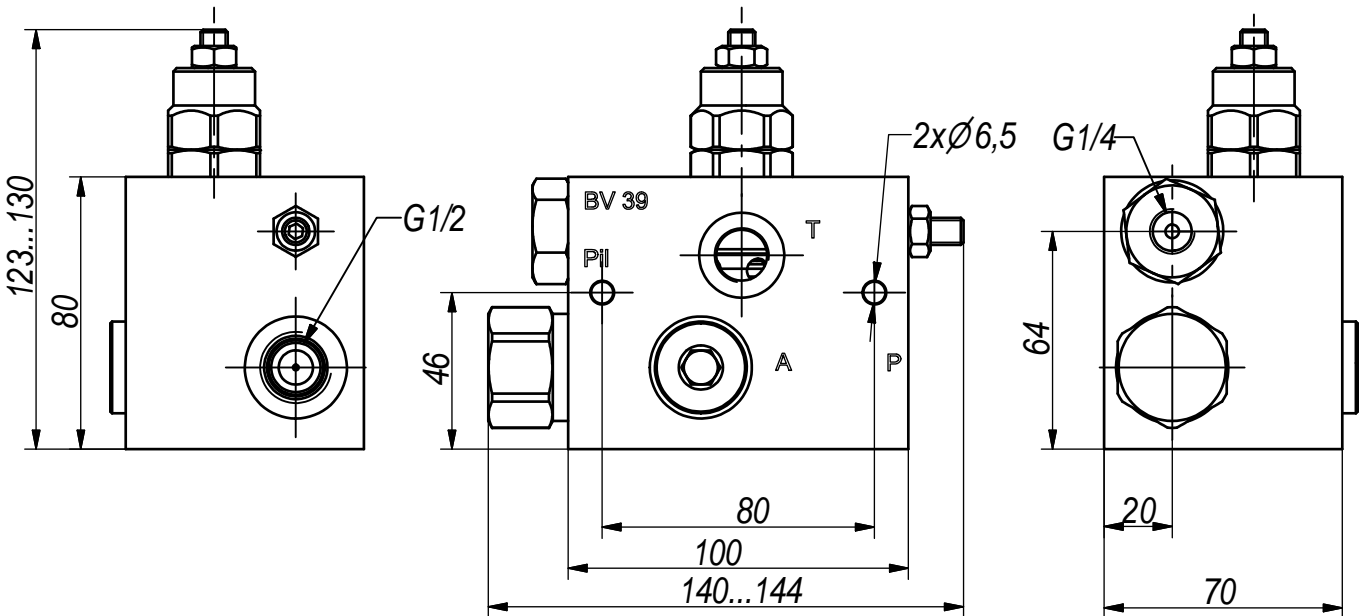
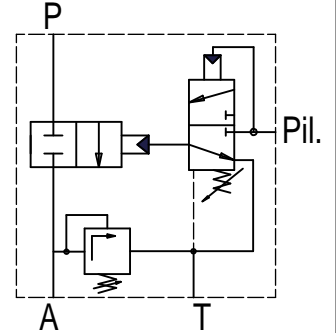
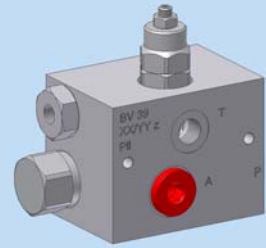


**Hidro  
Pnevmo  
Tehnika**

3, Vojeli St., Kazanlak, Bulgaria  
Tel.: +359 431/62 228  
Fax.: +359 431/62 019  
e-mail : info@hpt-bg.com  
www.hpt-bg.com

## VALVE BLOCK

### BV39

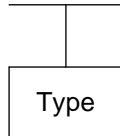


TECHNICAL DATA		
	Measurement unit	Value
Nom. pressure	bar.	250
Max. flow through relief valve	L/min	80
Max. flow through main valve	L/min	160
Adj. pressure range relief valve	bar	160

All performances and calibration are carried out by using hydraulic oil with viscosity approx 46 cSt at 50 °C  
Temperature range -20...+80 °C  
Filtration absolute 25 μm

## ORDERING CODE

**BV39**



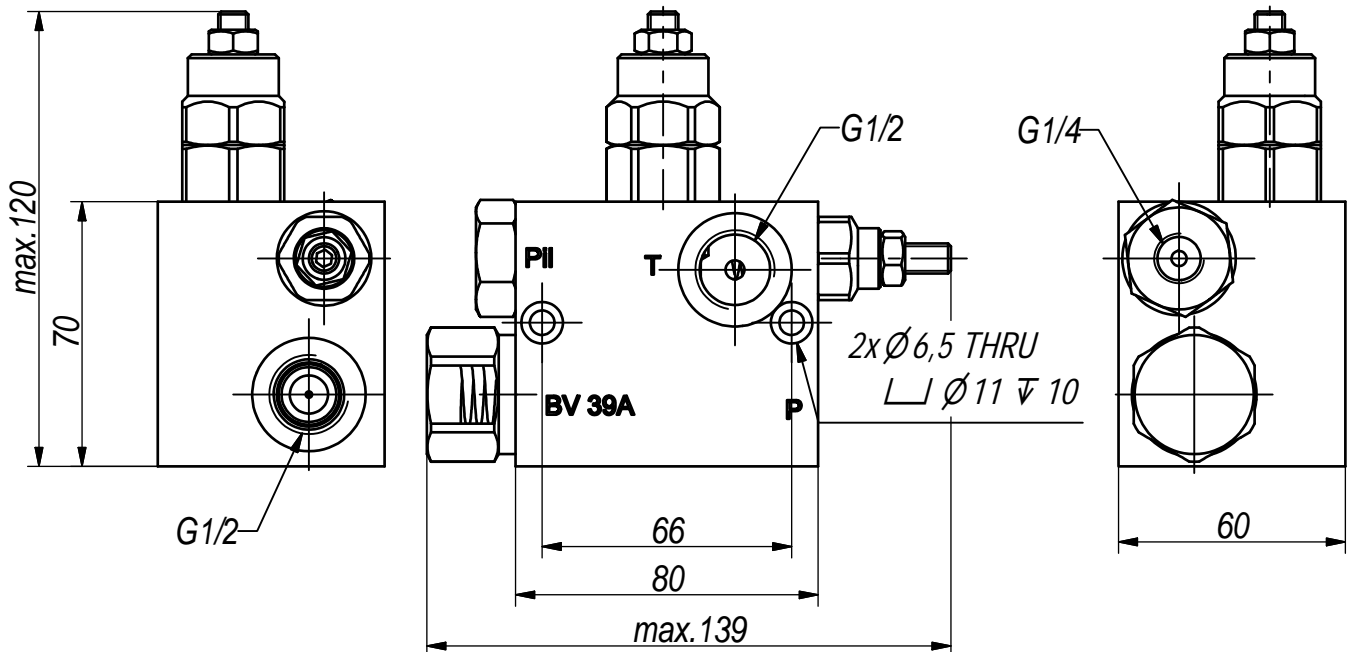
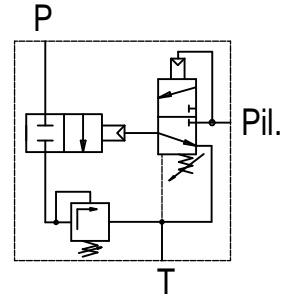
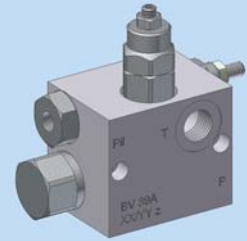


**Hidro  
Pnevmo  
Tehnika**

3, Vojeli St., Kazanlak, Bulgaria  
Tel.: +359 431/62 228  
Fax.: +359 431/62 019  
e-mail : info@hpt-bg.com  
www.hpt-bg.com

## VALVE BLOCK

### BV39A

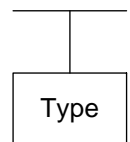


TECHNICAL DATA		
	Measurement unit	Value
Nom. pressure	bar.	250
Max. flow through relief valve	L/min	80
Max. flow through main valve	L/min	160
Adj. pressure range relief valve	bar	160

All performances and calibration are carried out by using hydraulic oil with viscosity approx 46 cSt at 50 °C  
Temperature range -20...+80 °C  
Filtration absolute 25 µm

## ORDERING CODE

**BV39A**



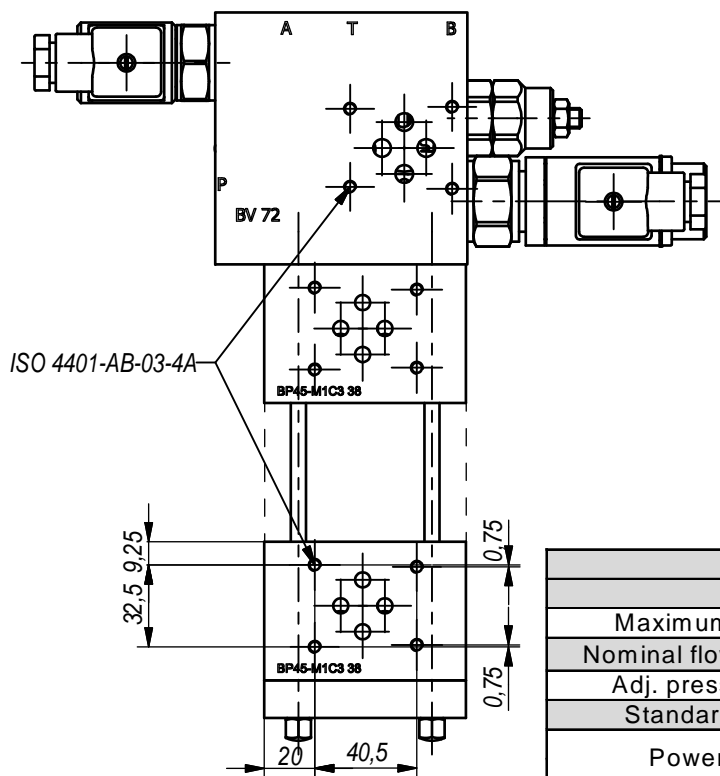
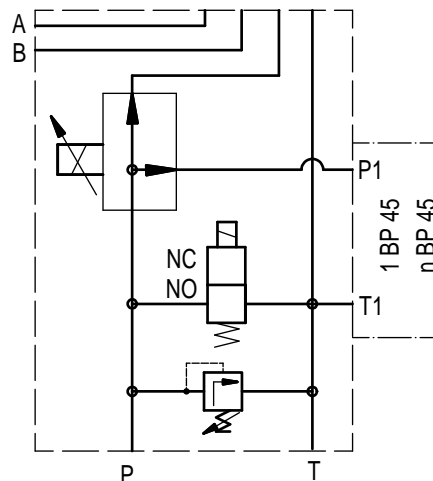
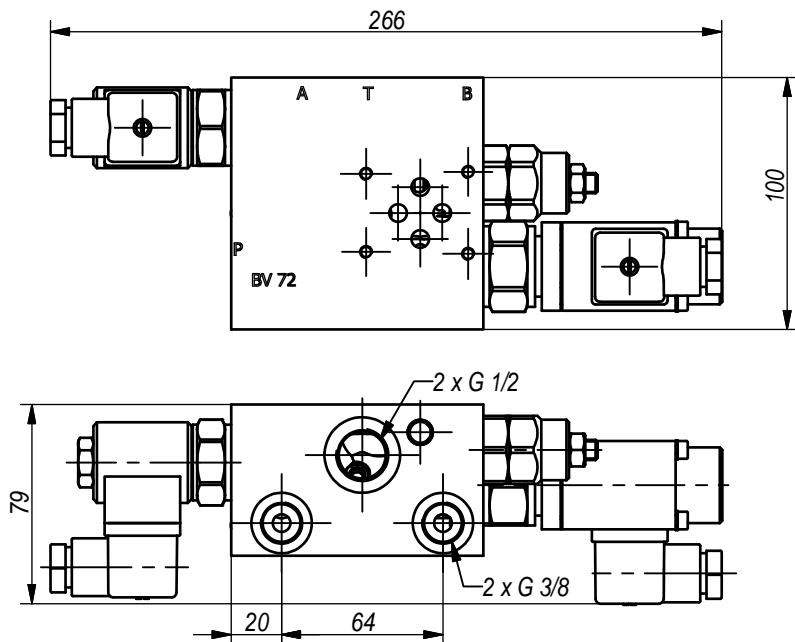
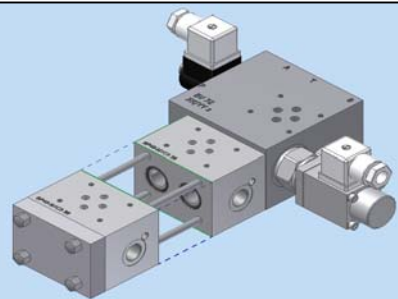


**Hidro  
Pnevmotekhnika**

3, Vojeli St., Kazanlak, Bulgaria  
Tel.: +359 431/62 228  
Fax.: +359 431/62 019  
e-mail : info@hpt-bg.com  
www.hpt-bg.com

## TWO PUMP HI-LOW UNLOADING VALVE

### BV 72- ... BP45-M1C3/38



All performances and calibration are carried out by using hydraulic oil with viscosity approx 46 cSt at 50 °C  
Temperature range -20...+80 °C  
Filtration absolute 25 μm

TECHNICAL DATA		
	Measurement unit	Value
Maximum pressure	bar.	250
Nominal flow rate of "P"	L/min	60
Adj. pressure range	bar.	30 ... 250
Standard settings	L/min	180
Power supply	VAC	110,220
	VDC	12,24

### ORDERING CODE

**BV 72- . BP45-M1C3/38 NC**

Type

Number of sections: **2,3,4**  
One section: **Omit**

Type of block

Port threads G: **38**

Solenoid valves  
**NC** - normal close  
**NO** - normal open