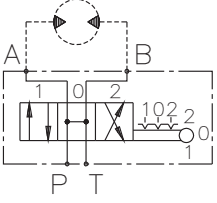

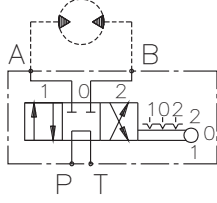

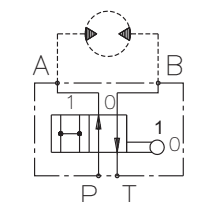

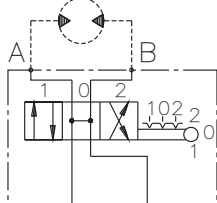
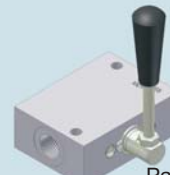
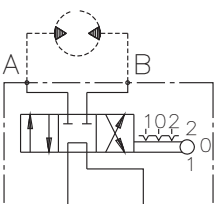
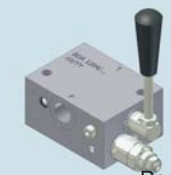
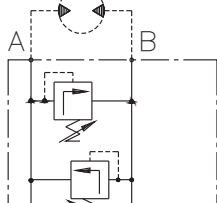
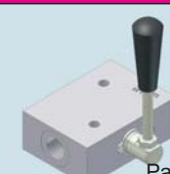
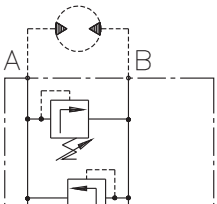

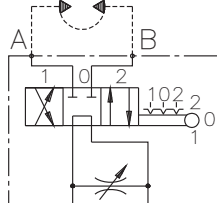

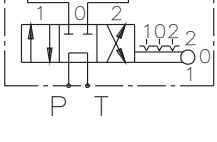

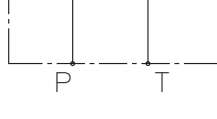







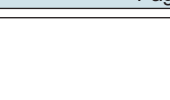
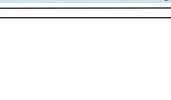
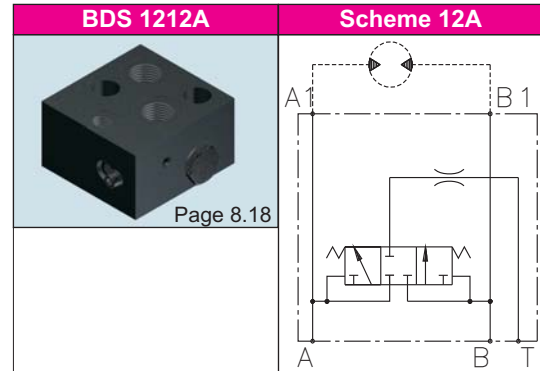
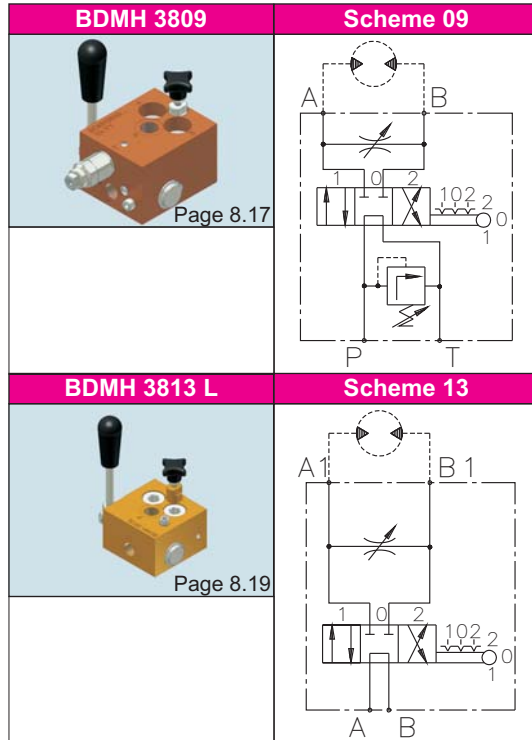
 <p>Page 8.1</p>		 <p>Page 8.3</p>	
 <p>Page 8.2</p>		 <p>Page 8.4</p>	
 <p>Page 8.5</p>		 <p>Page 8.7</p>	
 <p>Page 8.6</p>		 <p>Page 8.8</p>	
 <p>Page 8.9</p>		 <p>Page 8.10</p>	
 <p>Page 8.10</p>		 <p>Page 8.11</p>	
 <p>Page 8.13</p>		 <p>Page 8.12</p>	
 <p>Page 8.14</p>		 <p>Page 8.15</p>	
 <p>Page 8.14</p>		 <p>Page 8.16</p>	



HYDRAULIC MOTOR BLOCKS TYPE BD



The blocks of this group are applied to control manually the direction of the rotation of the hydraulic motors, to which they are assembled. In the page below the different patterns of distribution are displayed. Options are possible with built-in safety valves to limit the pressure in the corresponding direction, according to the pattern. The control is realized by a 90° rotation of a handle to the left or right side of its initial (straight) position.

Block are installed directly on motor with bolts M8-8.8 for EPM or EPRM motors and M10-8.8 DIN912 for EPMS or EPMT motors. Tightening torque: M8 - 20 N.m ; M10 - 45 N.m
Working fluid - Hydraulic oil . Filtration - degree of 25 mm . Temperature range from -20 to +80°C





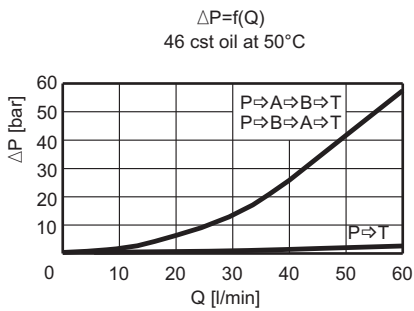
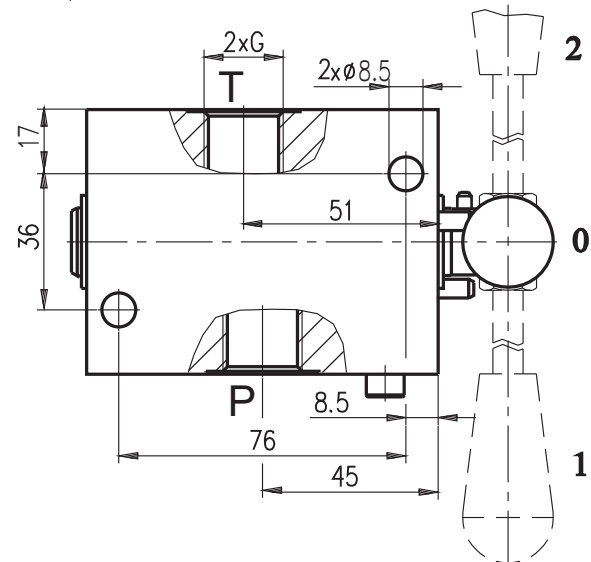
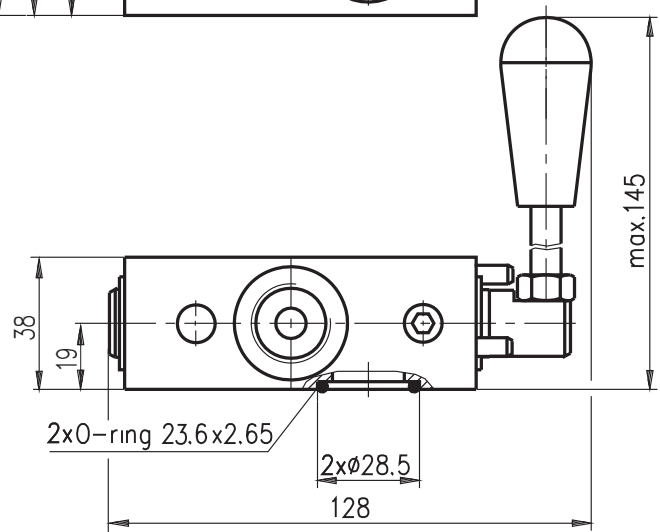
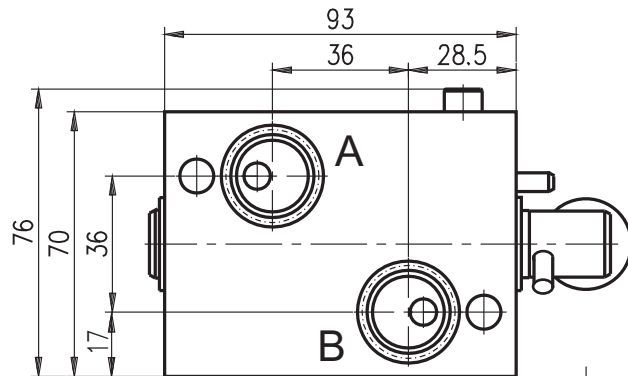
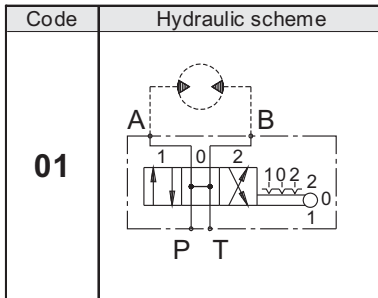
**Hidro
Pnevmo
Tehnika**

3, Vojeli St., Kazanlak, Bulgaria
Tel.: +359 431/62 228
Fax.: +359 431/62 019
e-mail: info@hpt-bg.com
www.hpt-bg.com

HYDRAULIC MOTOR BLOCKS TYPE BD

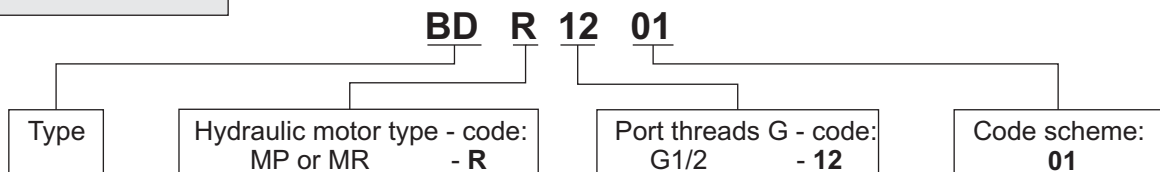


BDR 1201



Type	Nom. flow rate	P _{nom.} bar	Port threads G
	L/min		
BDR 1201	60	210	G1/2 - DIN 3852

ORDERING CODE



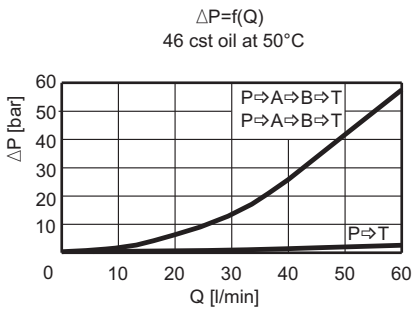
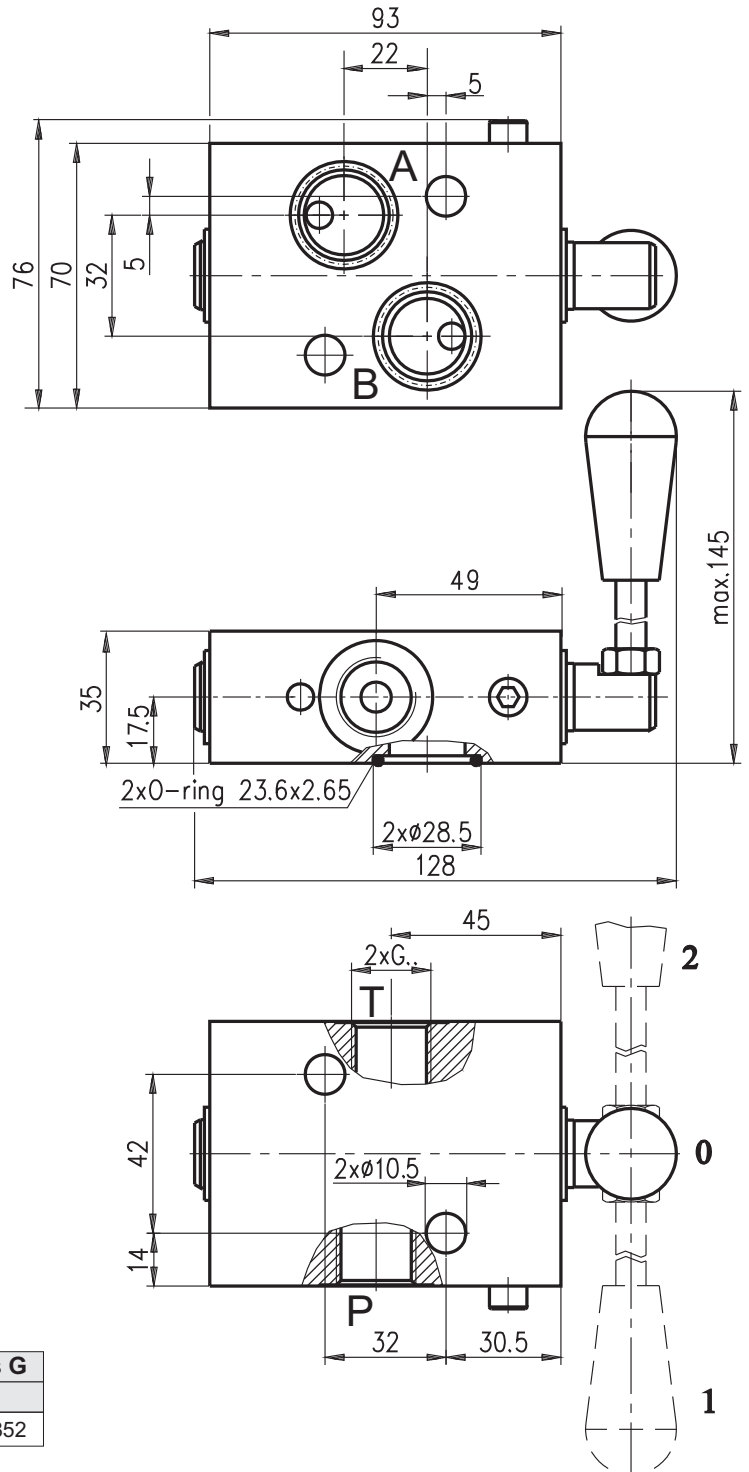
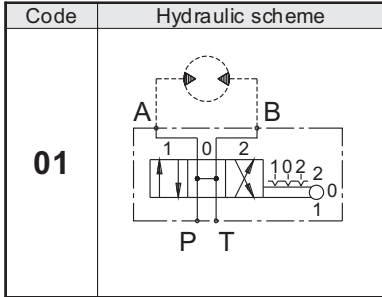


**Hidro
Pnevmo
Tehnika**

3, Vojeli St., Kazanlak, Bulgaria
Tel.: +359 431/62 228
Fax.: +359 431/62 019
e-mail: info@hpt-bg.com
www.hpt-bg.com

HYDRAULIC MOTOR BLOCKS TYPE BD

BDS 1201



Type	Nom. flow rate	P _{nom.}	Port threads G
	L/min	bar	-
BDS 1201	60	210	G1/2 - DIN 3852

ORDERING CODE

BD S 12 01



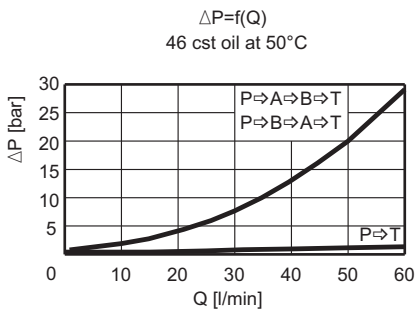
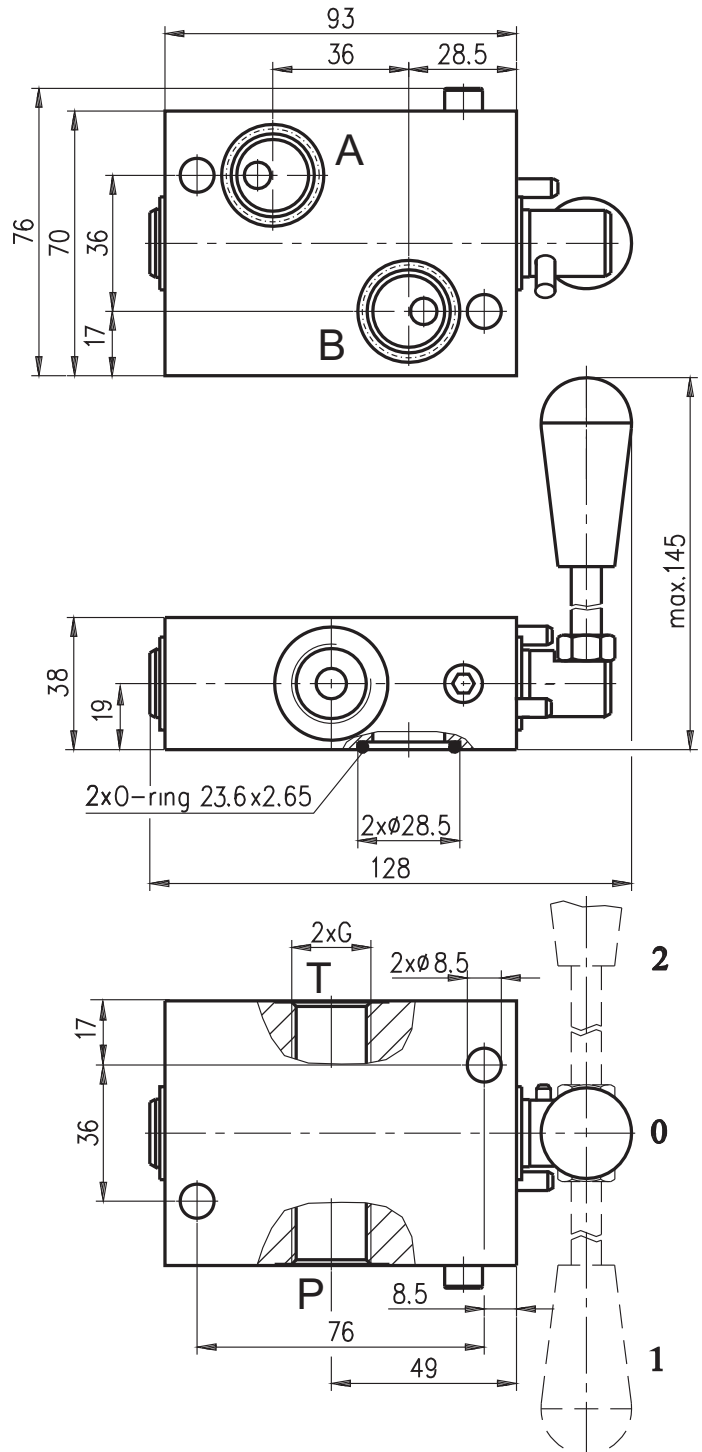
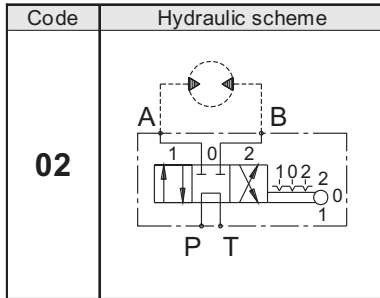


**Hidro
Pnevmo
Tehnika**

3, Vojeli St., Kazanlak, Bulgaria
Tel.: +359 431/62 228
Fax.: +359 431/62 019
e-mail: info@hpt-bg.com
www.hpt-bg.com

HYDRAULIC MOTOR BLOCKS TYPE BD

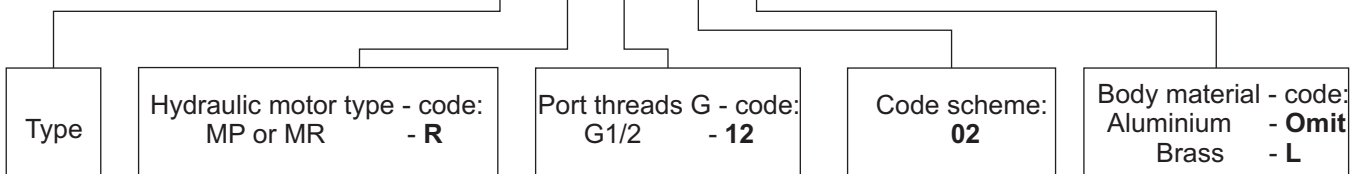
BDR 1202 .



Type	Nom. flow rate	P _{nom.}	Port threads G
	L/min	bar	-
BDR 1202 .	60	210	G1/2 - DIN 3852

ORDERING CODE

BD R 12 02 L



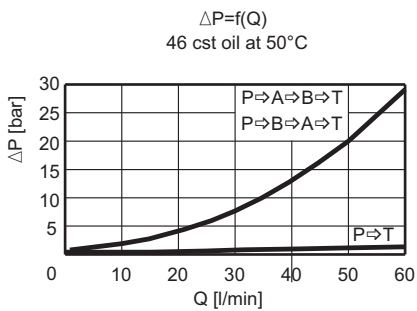
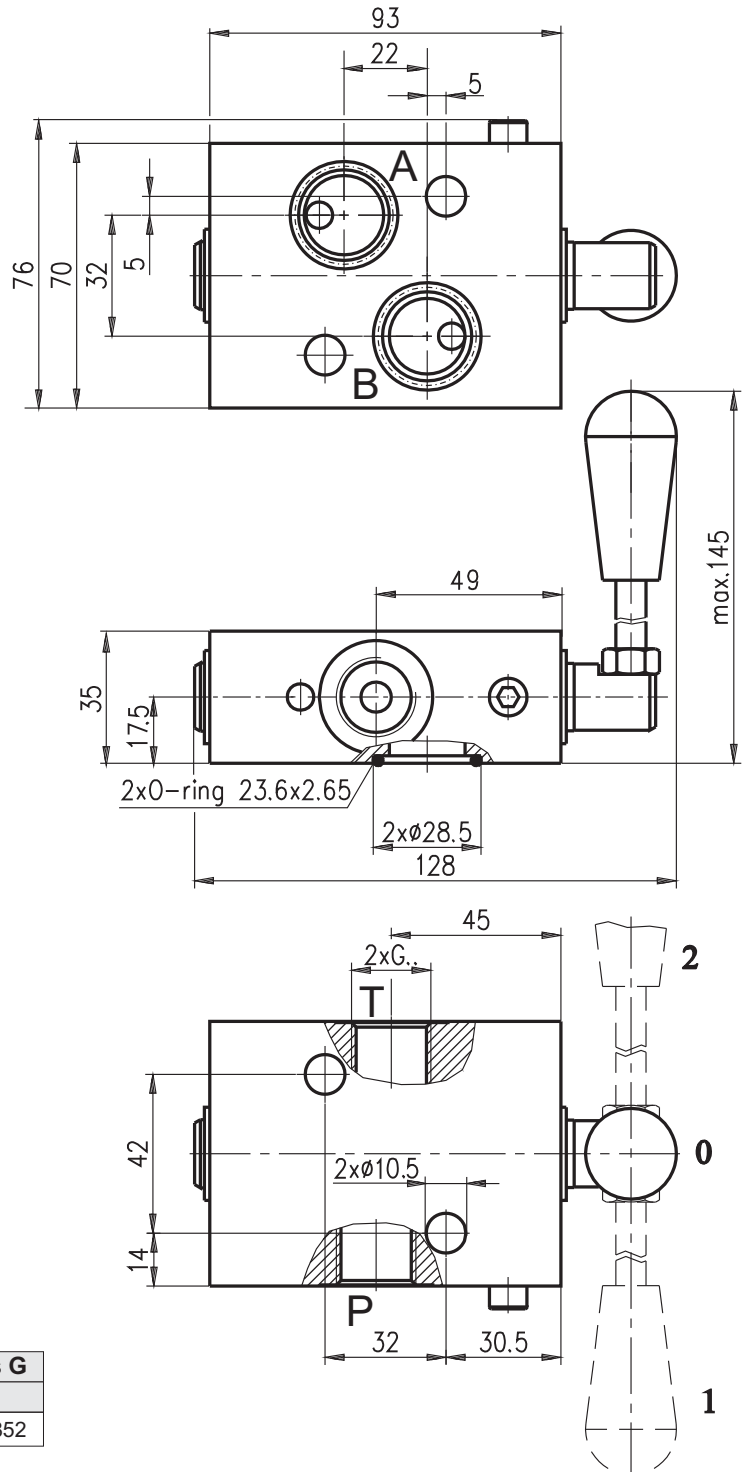
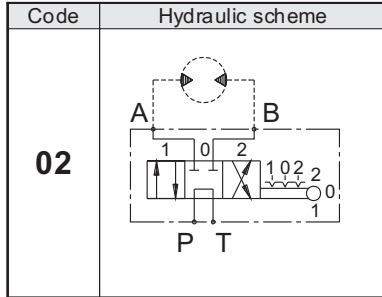


**Hidro
Pnevmo
Tehnika**

3, Vojeli St., Kazanlak, Bulgaria
Tel.: +359 431/62 228
Fax.: +359 431/62 019
e-mail: info@hpt-bg.com
www.hpt-bg.com

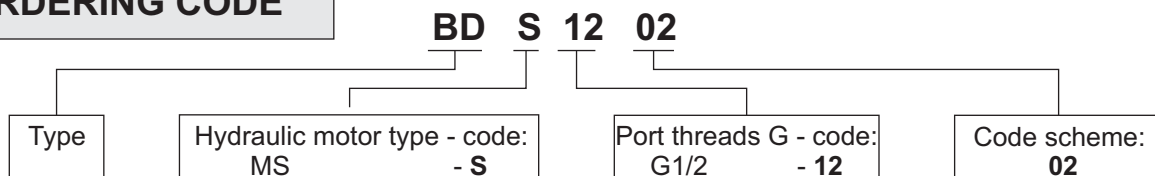
HYDRAULIC MOTOR BLOCKS TYPE BD

BDS 1202



Type	Nom. flow rate	P _{nom.} bar	Port threads G
	L/min		
BDS 1202	60	210	G1/2 - DIN 3852

ORDERING CODE



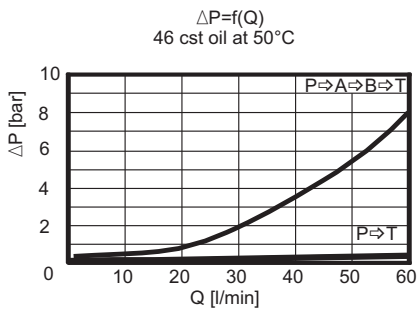
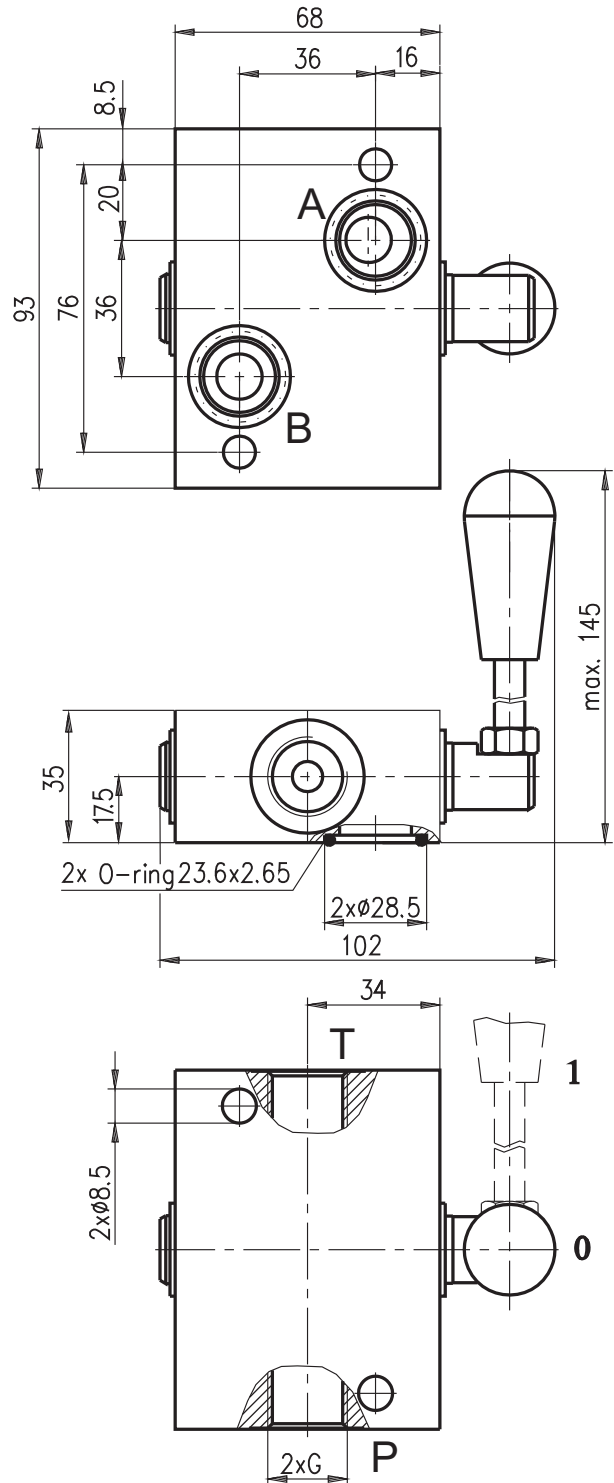
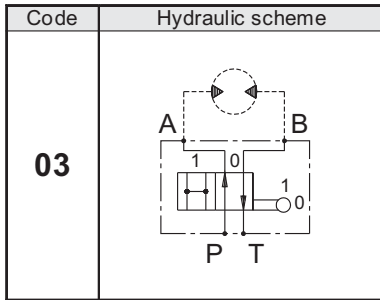
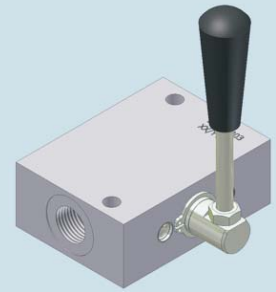


**Hidro
Pnevmo
Tehnika**

3, Vojeli St., Kazanlak, Bulgaria
Tel.: +359 431/62 228
Fax.: +359 431/62 019
e-mail: info@hpt-bg.com
www.hpt-bg.com

HYDRAULIC MOTOR BLOCKS TYPE BD

BDR 1203



Type	Nom. flow rate	P _{nom.} bar	Port threads G
	L/min		
BDR 1203	60	210	G1/2 - DIN 3852

ORDERING CODE

BD R 12 03

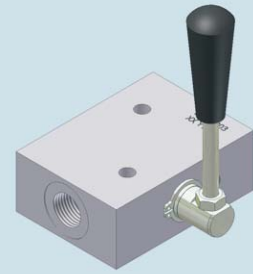




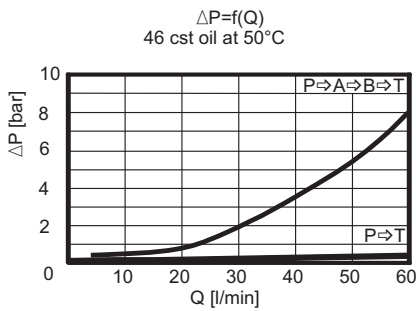
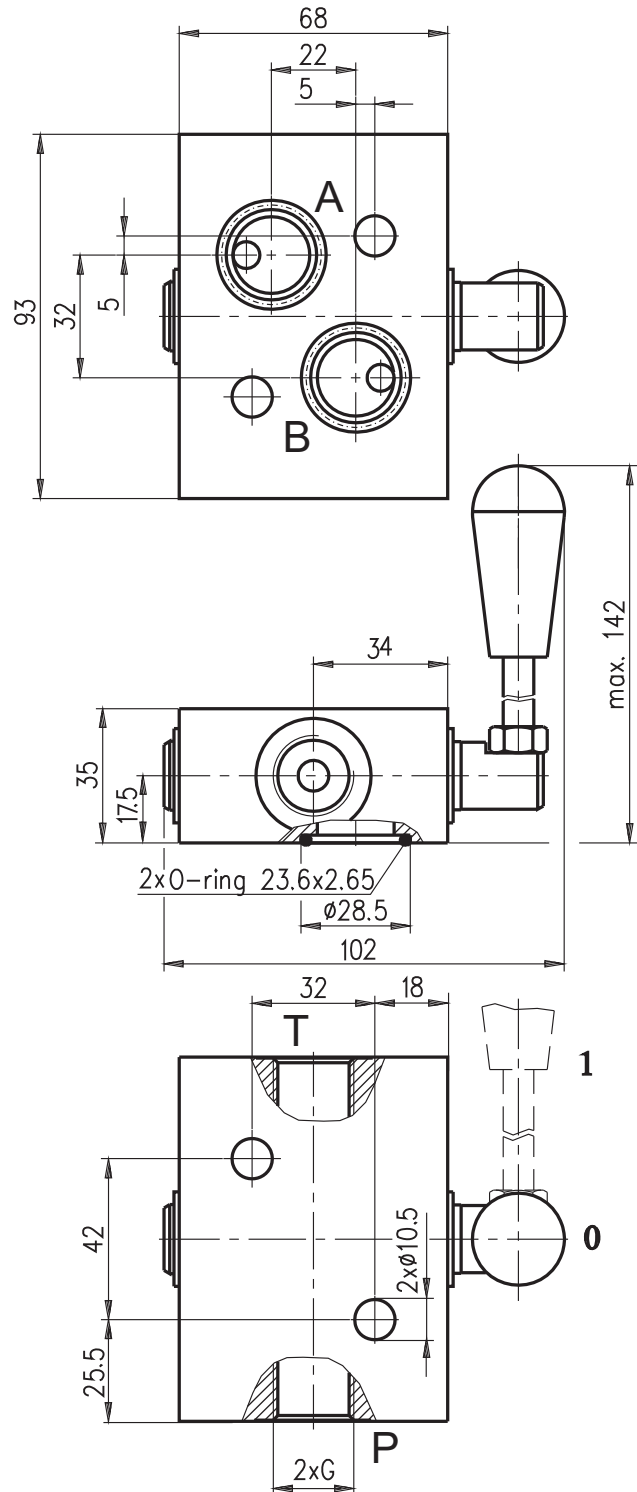
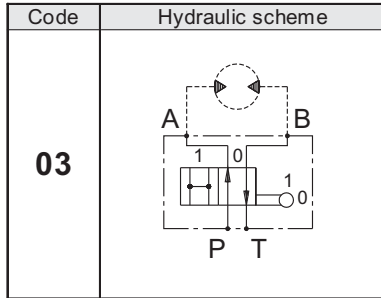
**Hidro
Pnevmo
Tehnika**

3, Vojeli St., Kazanlak, Bulgaria
Tel.: +359 431/62 228
Fax.: +359 431/62 019
e-mail: info@hpt-bg.com
www.hpt-bg.com

HYDRAULIC MOTOR BLOCKS TYPE BD



BDS 1203



Type	Nom. flow rate	P _{nom.}	Port threads G
	L/min	bar	-
BDS 1203	60	210	G1/2 - DIN 3852

ORDERING CODE

BD S 12 03





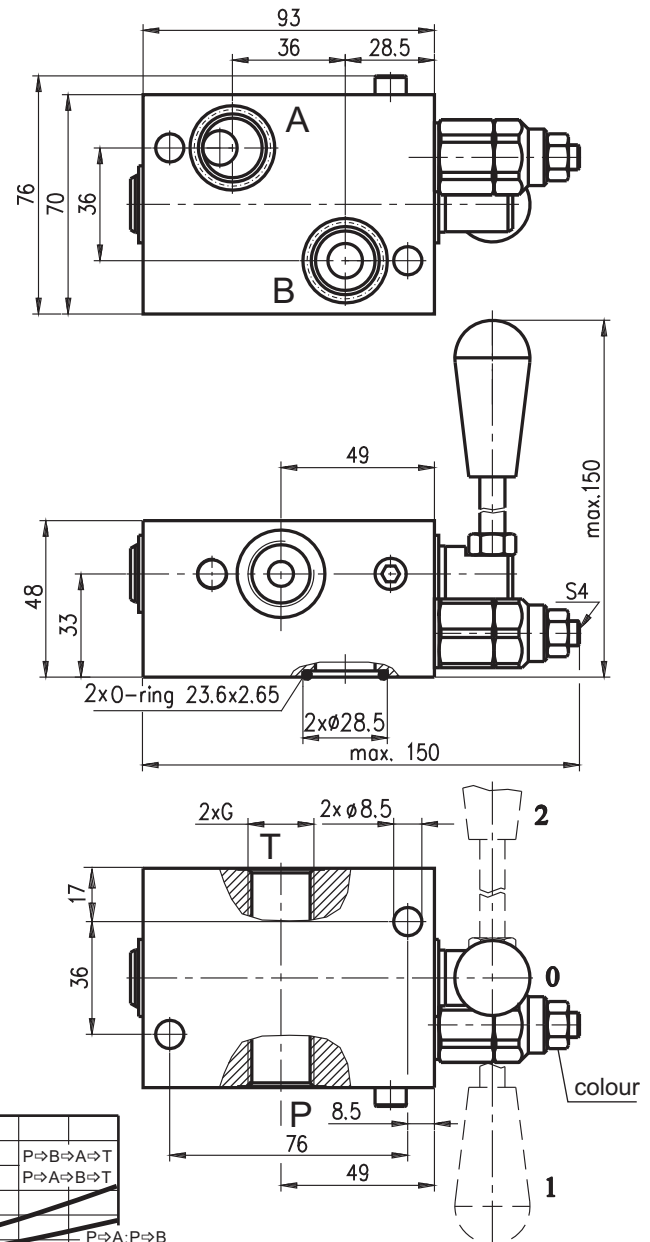
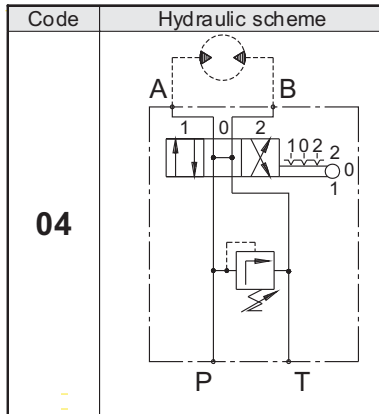
**Hidro
Pnevmo
Tehnika**

3, Vojvodi St., Kazanlak, Bulgaria
Tel.: +359 431/62 228
Fax.: +359 431/62 019
e-mail: info@hpt-bg.com
www.hpt-bg.com

HYDRAULIC MOTOR BLOCKS TYPE BD

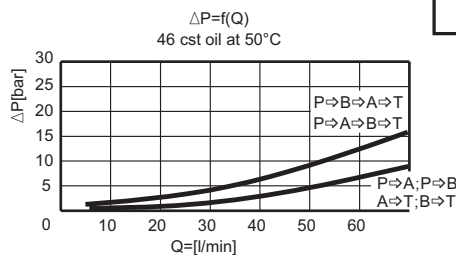


BDR 1204 . / ...



Pressure range			
Code	Standard setting (Q=5l/min)	Abj. pressure range	Colour
	bar	bar	-
10	80	10...100	White
25	180	30...250	Yellow

Code	Adjustments
A	Leakproof hex. socket screw
B	Handknob and locknut
C	Sealing cap



Type	Nom. flow rate	P _{max.}	Port threads G
	L/min	bar	-
BDR 1204 . / ...	60	250	G1/2 - DIN 3852

ORDERING CODE

BD R 12 04 L / 10 A

Type

Hydraulic motor type - code:
MP or MR - **R**

Code scheme:
04

Code adjustments:
A; B; C
(see table above)

Port threads G - code:
G1/2 - **12**

Body material - code:
Aluminium - **Omit**
Brass - **L**

Pressure range code:
10; 25

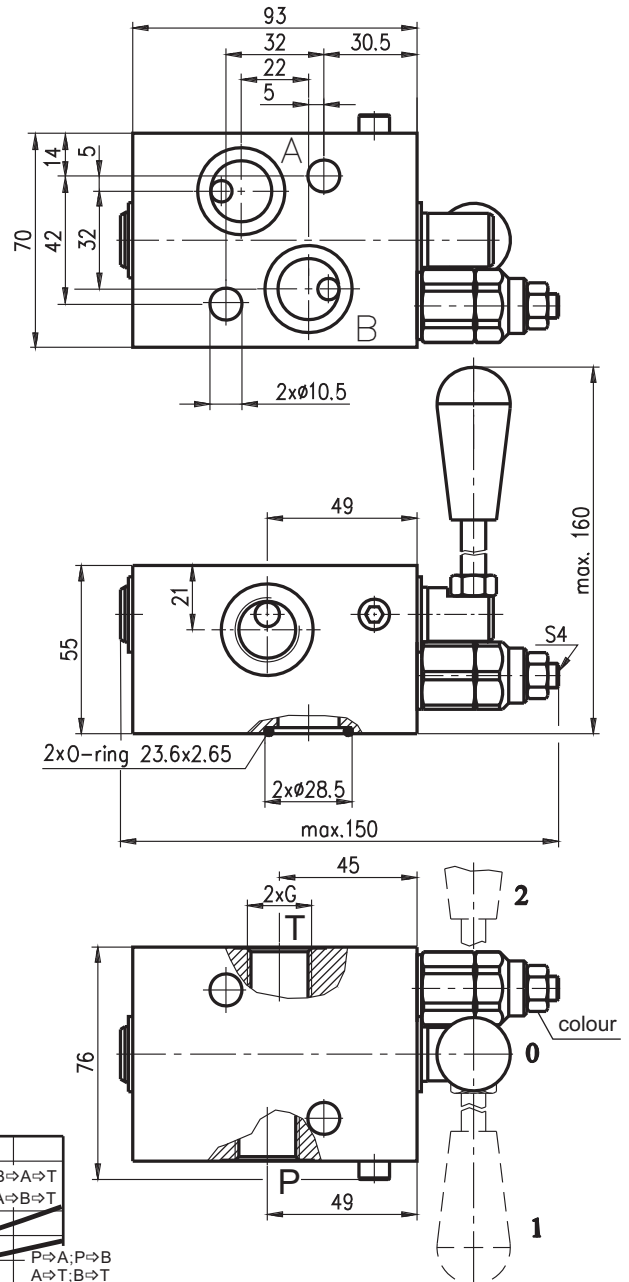
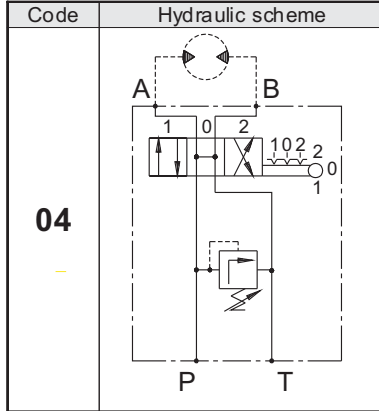


**Hidro
Pnevmo
Tehnika**


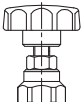
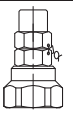
3, Vojeli St., Kazanlak, Bulgaria
Tel.: +359 431/62 228
Fax.: +359 431/62 019
e-mail: info@hpt-bg.com
www.hpt-bg.com

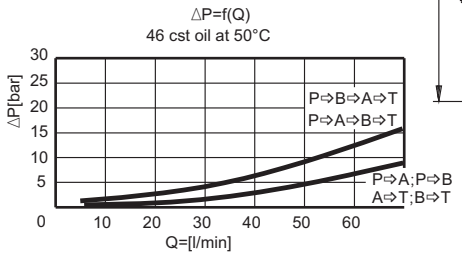
HYDRAULIC MOTOR BLOCKS TYPE BD

BDS 1204 ./... .



Pressure range			
Code	Standard setting (Q=5l/min)	Abj. pressure range	Colour
	bar	bar	-
10	80	10...100	White
25	180	30...250	Yellow

Code	Adjustments
A	Leakproof hex. socket screw 
B	Handknob and locknut 
C	Sealing cap 



Type	Nom. flow rate L/min	P _{max.} bar	Port threads G
BDS 1204 ./... .	60	250	G1/2 - DIN 3852

ORDERING CODE

BD S 12 04 L / 10 A

Type	Hydraulic motor type - code: MS - S	Code scheme: 04	Code adjustments: A; B; C (see table above)
	Port threads G - code: G1/2 - 12	Body material - code: Aluminium - Omit Brass - L	Pressure range code: 10; 25

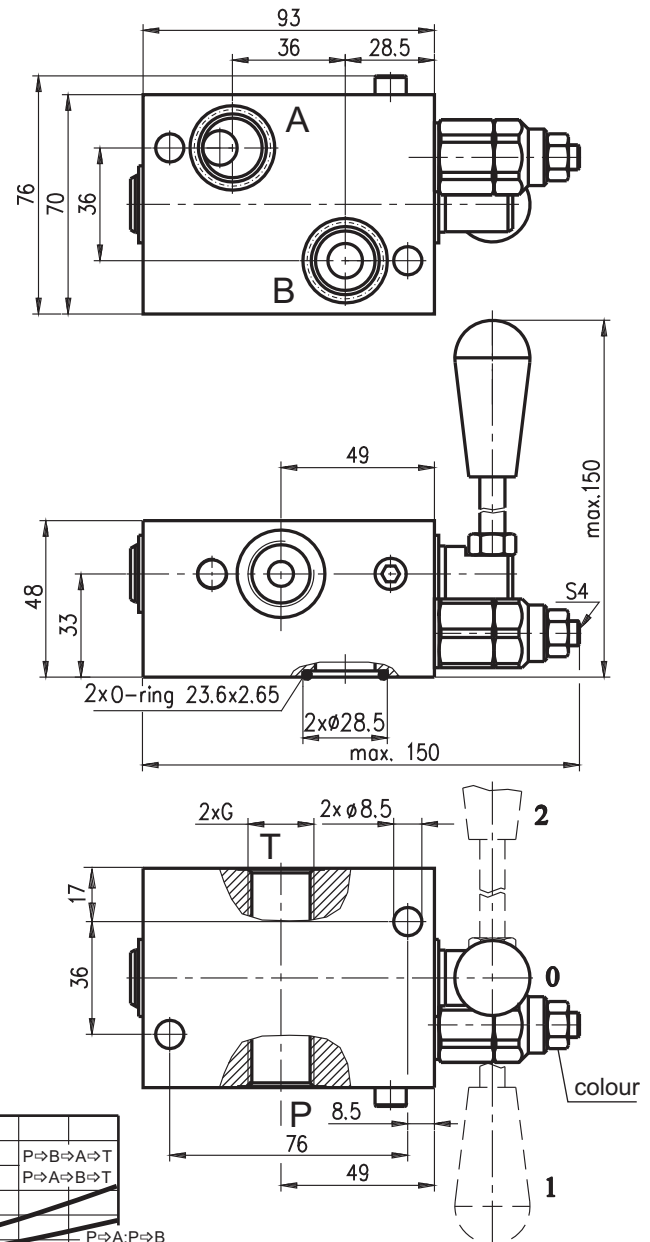
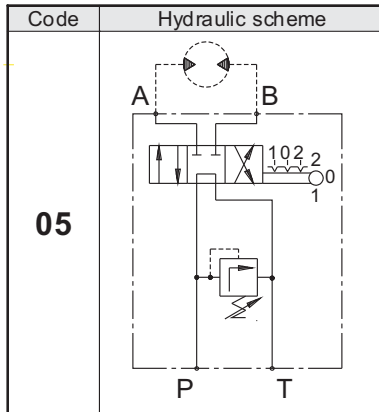
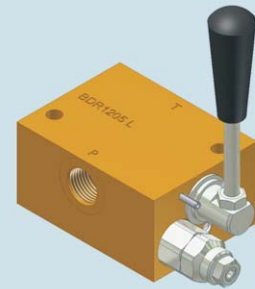


**Hidro
Pnevmo
Tehnika**

3, Vojvodi St., Kazanlak, Bulgaria
Tel.: +359 431/62 228
Fax.: +359 431/62 019
e-mail: info@hpt-bg.com
www.hpt-bg.com

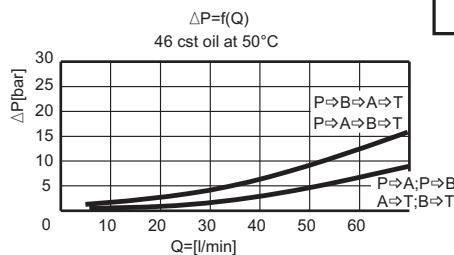
HYDRAULIC MOTOR BLOCKS TYPE BD

BDR 1205 . / . .



Pressure range			
Code	Standard setting (Q=5l/min)	Abj. pressure range	Colour
	bar	bar	-
10	80	10...100	White
25	180	30...250	Yellow

Code	Adjustments
A	Leakproof hex. socket screw
B	Handknob and locknut
C	Sealing cap



Type	Nom. flow rate	P _{max.}	Port threads G
	L/min	bar	-
BDR 1205 . / . .	70	250	G1/2 - DIN 3852

ORDERING CODE

BD R 12 05 L / 10 A

Type

Hydraulic motor type - code:
MP or MR - **R**

Code scheme:
05

Code adjustments:
A; B; C
(see table above)

Port threads G - code:
G1/2 - **12**

Body material - code:
Aluminium - **Omit**
Brass - **L**

Pressure range code:
10; 25

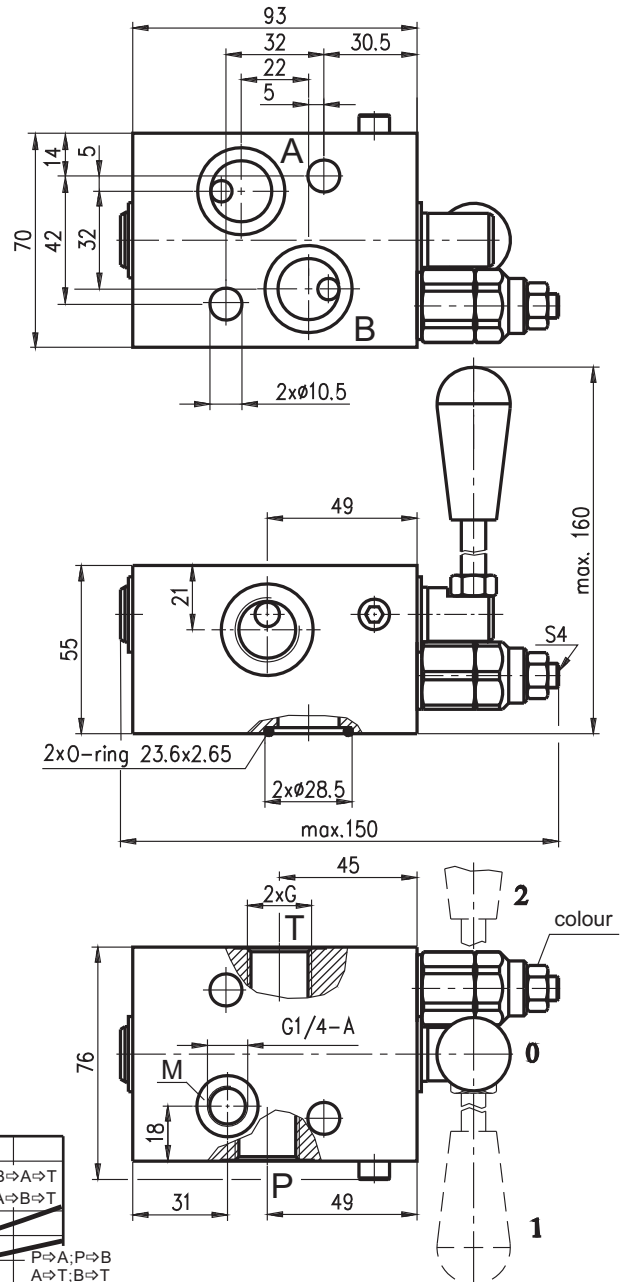
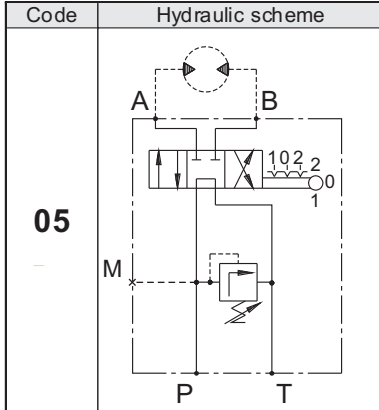


**Hidro
Pnevmo
Tehnika**

3, Vojeli St., Kazanlak, Bulgaria
Tel.: +359 431/62 228
Fax.: +359 431/62 019
e-mail: info@hpt-bg.com
www.hpt-bg.com

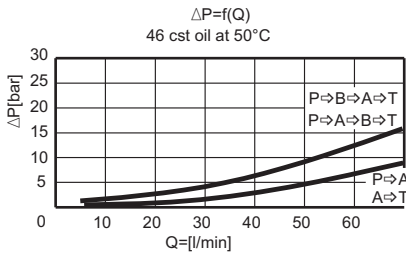
HYDRAULIC MOTOR BLOCKS TYPE BD

BDS 1205 ./... .



Pressure range			
Code	Standard setting (Q=5l/min)	Abj. pressure range	Colour
	bar	bar	-
10	80	10...100	White
25	180	30...250	Yellow

Code	Adjustments
A	Leakproof hex. socket screw
B	Handknob and locknut
C	Sealing cap



Type	Nom. flow rate	P _{max.}	Port threads G
	L/min	bar	-
BDS 38... /... .	25	250	G3/8 - DIN 3852
BDS 12... /... .	60	250	G1/2 - DIN 3852

ORDERING CODE

BD S 12 05 L / 10 A

Type	Hydraulic motor type - code: MS	Code scheme: 04; 05	Code adjustments: A; B; C (see table above)
	Port threads G - code: G3/8 - 38 G1/2 - 12	Body material - code: Aluminium - Omit Brass - L	Pressure range code: 10; 25

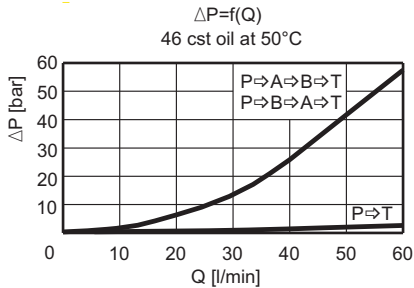
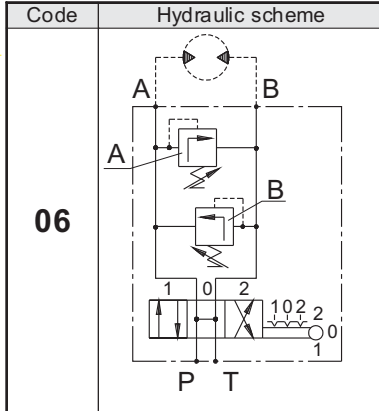
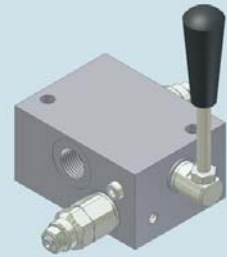


**Hidro
Pnevmo
Tehnika**

3, Vojeli St., Kazanlak, Bulgaria
Tel.: +359 431/62 228
Fax.: +359 431/62 019
e-mail: info@hpt-bg.com
www.hpt-bg.com

HYDRAULIC MOTOR BLOCKS TYPE BD

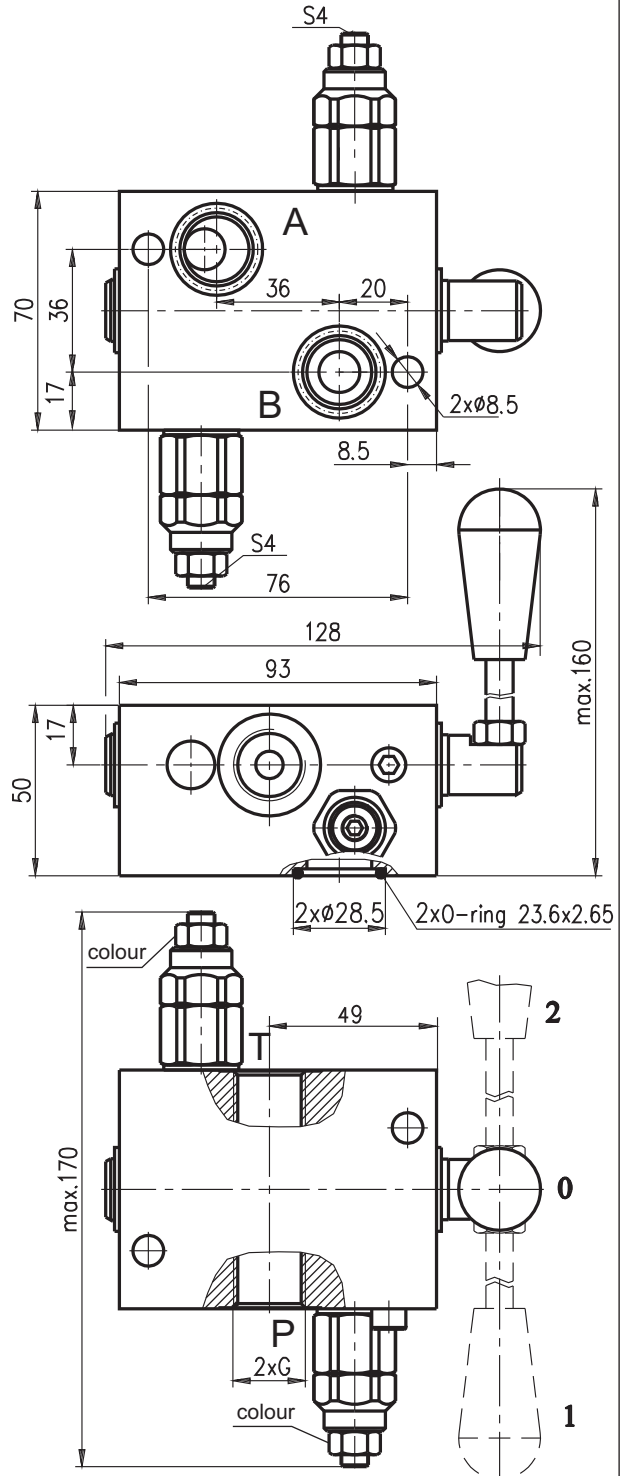
BDR 1206/... - ...



Code	Adjustments
A	Leakproof hex. socket screw
C	Sealing cap

Type	Nom. flow rate	$P_{max.}$	Port threads G
	L/min	bar	-
BDR 1206 /... -... -	60	250	G12 - DIN 3852

Pressure range			
Code	Standard setting (Q=5l/min)	Abj. pressure range	Colour
	bar	bar	
10	80	10...100	White
25	180	30...250	Yellow



ORDERING CODE

BD R 12 06 / A10 A - B25 A

Type

Hydraulic motor type - code:
MP or MR - **R**

Port threads G - code:
G1/2 - **12**

Code scheme:
06

Code adjustments:
A; C
(see table above)

Pressure range
valve "A" - code:
10; 25

Code adjustments:
A; C
(see table above)

Pressure range
valve "B" - code:
10; 25

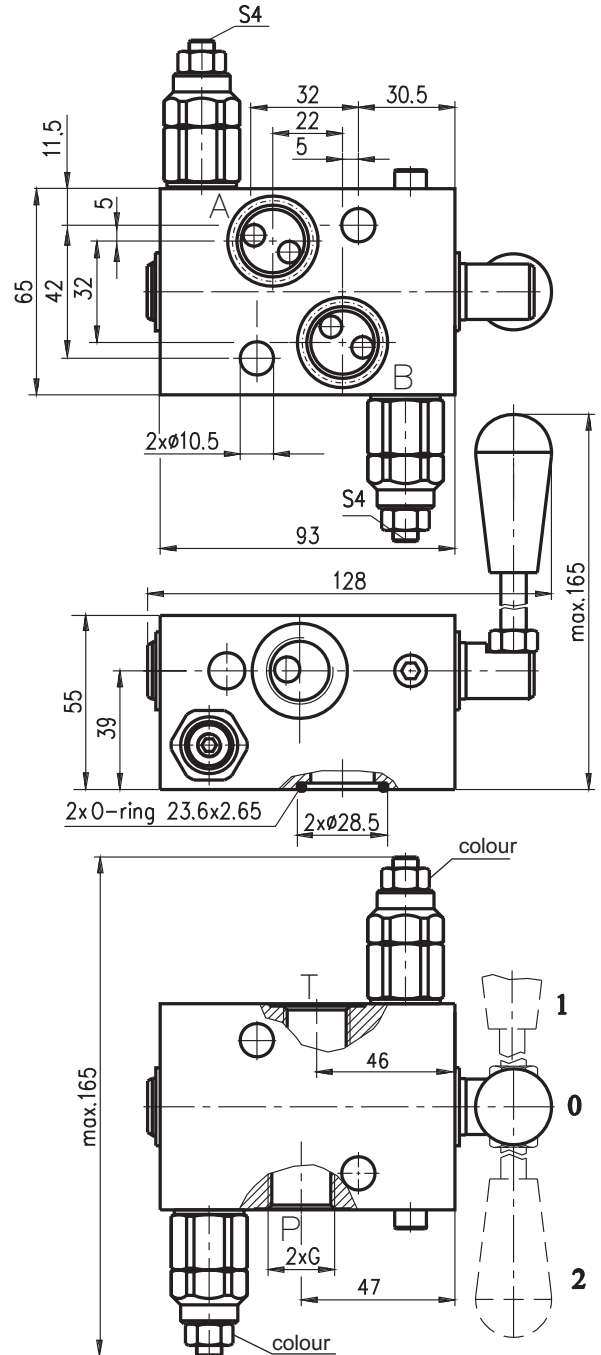
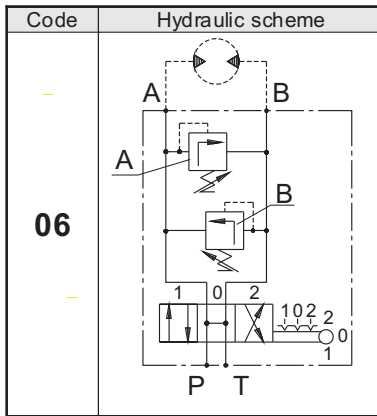
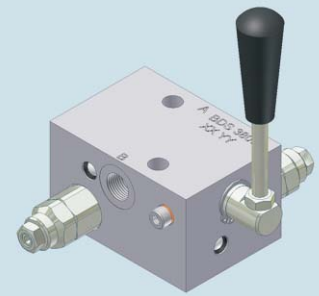


**Hidro
Pnevmo
Tehnika**

3, Vojeli St., Kazanlak, Bulgaria
Tel.: +359 431/62 228
Fax.: +359 431/62 019
e-mail: info@hpt-bg.com
www.hpt-bg.com

HYDRAULIC MOTOR BLOCKS TYPE BD

BDS 3806/... - ...



Code	Adjustments
A	Leakproof hex. socket screw
C	Sealing cap

Type	Nom. flow rate	P _{max.}	Port threads G
	L/min	bar	-
BDS 3806 /... - ...	25	250	G38 - DIN 3852

Pressure range			
Code	Standard setting (Q=5l/min)	Abj. pressure range	Colour
	bar	bar	-
10	80	10...100	White
25	180	30...250	Yellow

ORDERING CODE

BD S 38 06 / A10 A - B25 A

Type

Hydraulic motor type - code:
MS

Port threads G - code:
G3/8

Code scheme:
06

Code adjustments:
A; C
(see table above)

Pressure range
valve "A"-code:
10; 25

Code adjustments:
A; C
(see table above)

Pressure range
valve "B"-code:
10; 25

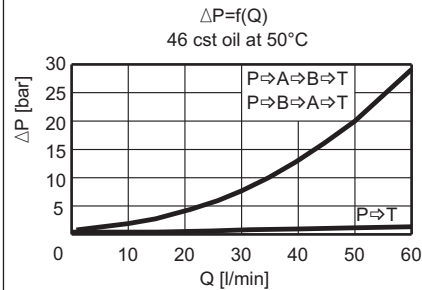
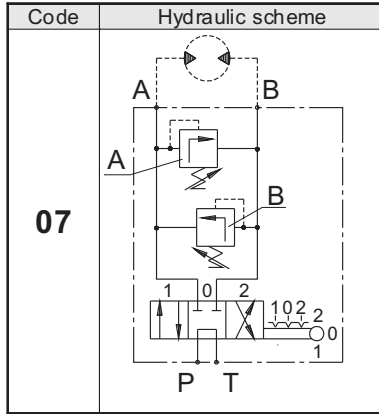
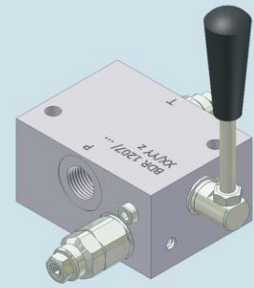




**Hidro
Pnevmo
Tehnika**

3, Vojeli St., Kazanlak, Bulgaria
Tel.: +359 431/62 228
Fax.: +359 431/62 019
e-mail: info@hpt-bg.com
www.hpt-bg.com

HYDRAULIC MOTOR BLOCKS TYPE BD

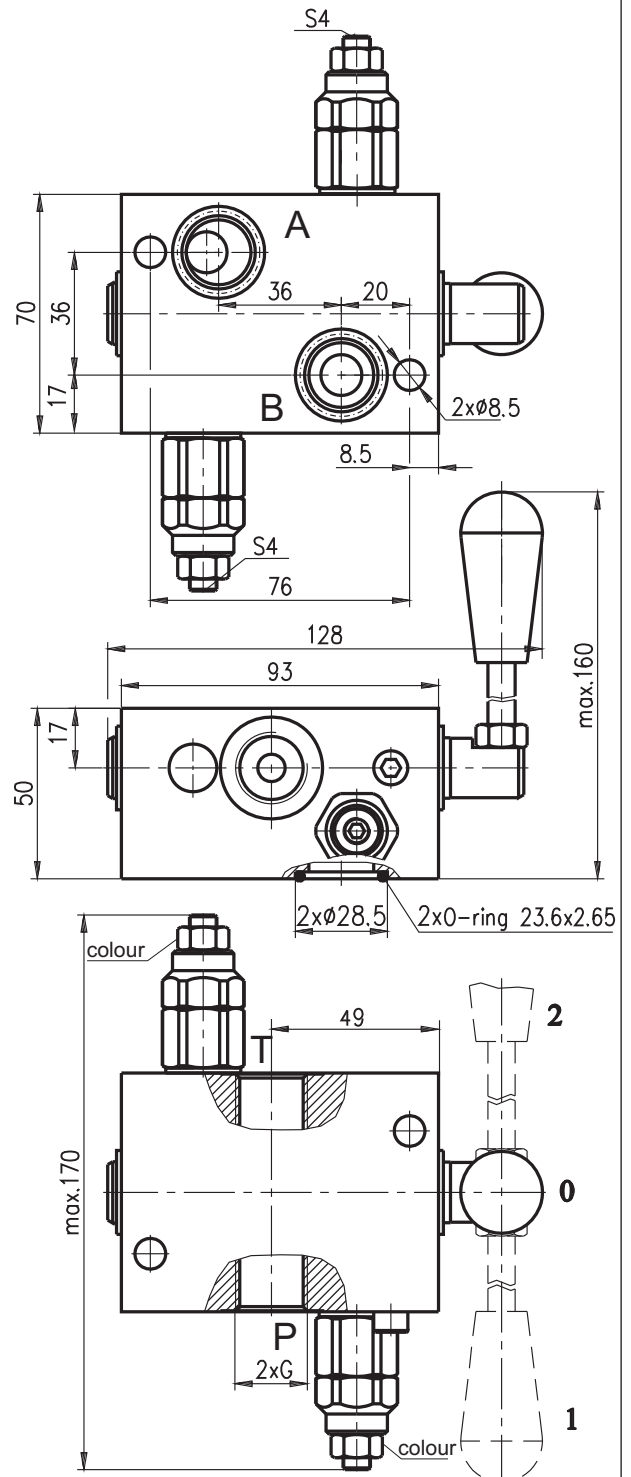
BDR 1207/... ..



Code	Adjustments
A	Leakproof hex. socket screw 
C	Sealing cap 

Type	Nom. flow rate	P _{max.}	Port threads G
	L/min	bar	-
BDR 1207 /... ..	60	250	G12 - DIN 3852

Pressure range			
Code	Standard setting (Q=5l/min)	Abj. pressure range	Colour
	bar	bar	
10	80	10...100	White
25	180	30...250	Yellow



ORDERING CODE

BD R 12 07 / A10 A - B25 A

Type

Hydraulic motor type - code:
MP or MR - **R**

Port threads G - code:
G1/2 - **12**

Code scheme:
07

Code adjustments:
A; C
(see table above)

Pressure range
valve "A"-code:
10; 25

Code adjustments:
A; C
(see table above)

Pressure range
valve "B"-code:
10; 25



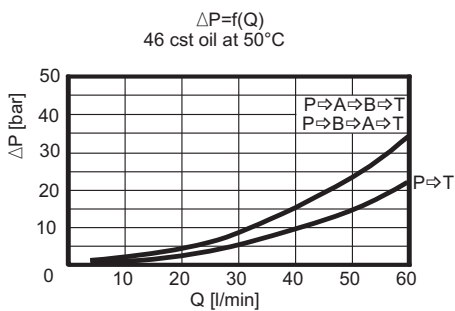
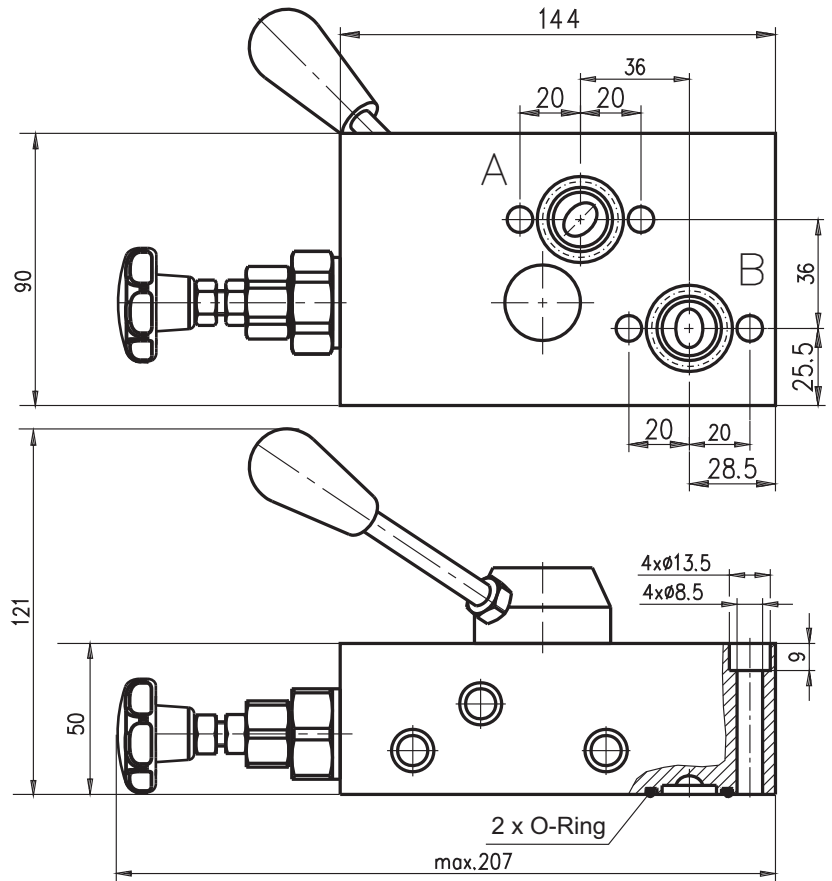
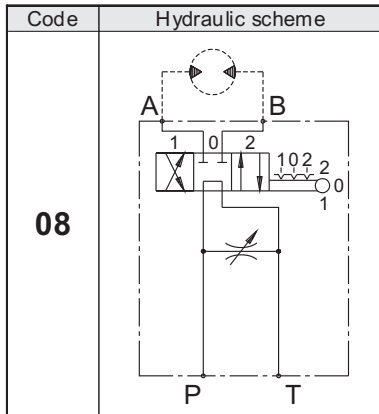
**Hidro
Pnevmo
Tehnika**

3, Vojeli St., Kazanlak, Bulgaria
Tel.: +359 431/62 228
Fax.: +359 431/62 019
e-mail: info@hpt-bg.com
www.hpt-bg.com

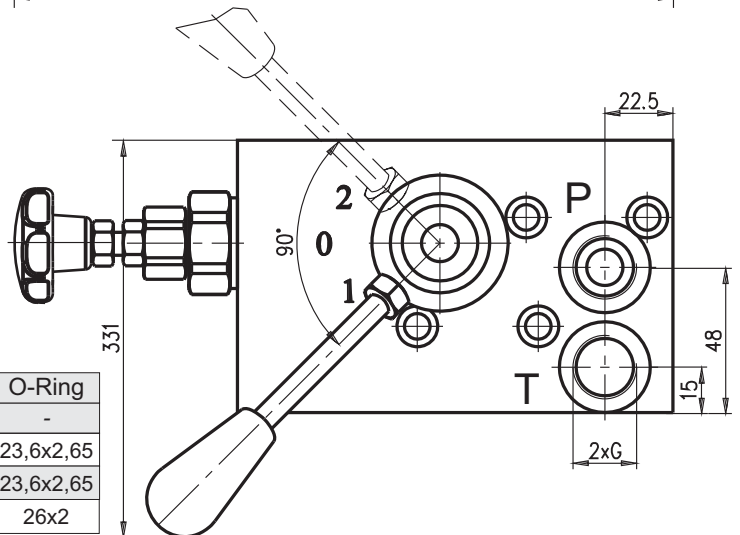
HYDRAULIC MOTOR BLOCKS TYPE BD



BDR .. 08

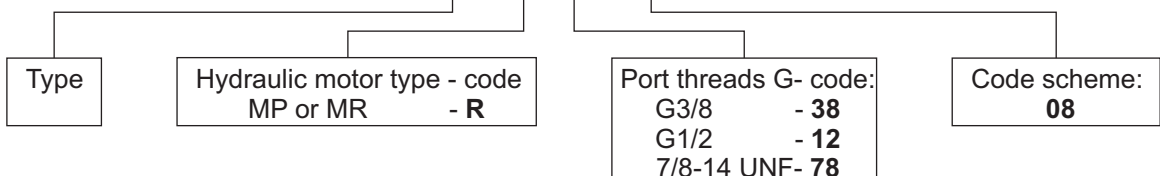


Type	Nom. flow rate	P _{nom.} bar	Port threads G	O-Ring
	L/min			
BDR 3808	25	210	G3/8 - DIN 3852	23,6x2,65
BDR 1208	60	210	G1/2 - DIN 3852	23,6x2,65
BDR 7808	70	210	7/8-14UNF - ISO 11926	26x2



ORDERING CODE

BD R 12 08





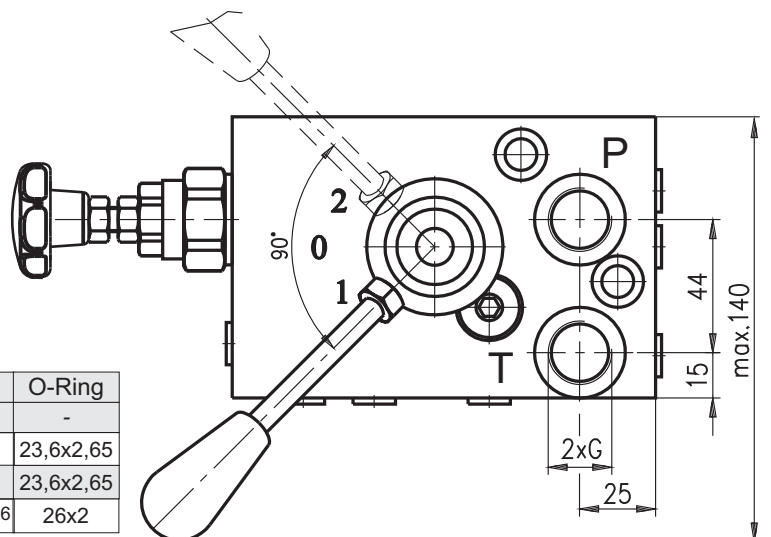
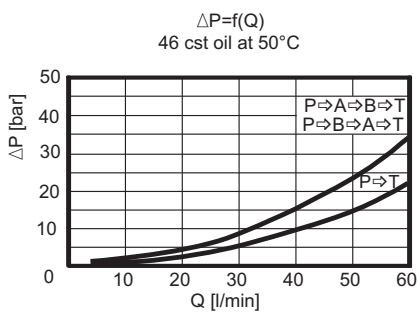
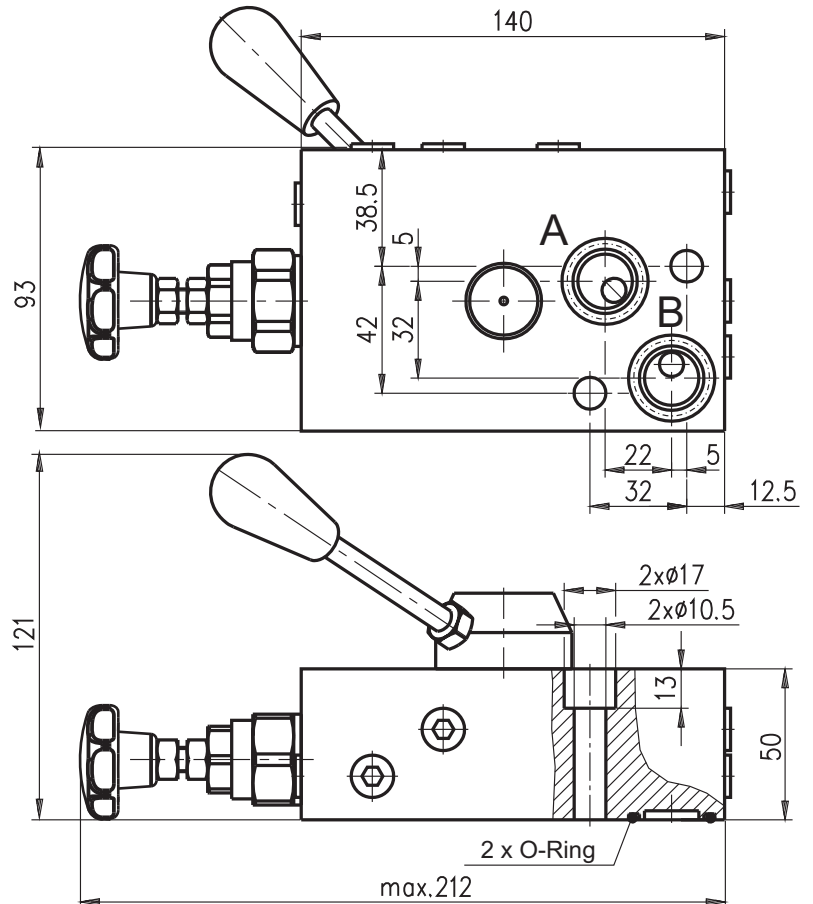
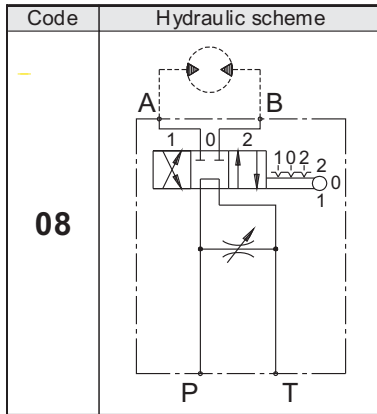
**Hidro
Pnevmo
Tehnika**

3, Vojeli St., Kazanlak, Bulgaria
Tel.: +359 431/62 228
Fax.: +359 431/62 019
e-mail: info@hpt-bg.com
www.hpt-bg.com

HYDRAULIC MOTOR BLOCKS TYPE BD



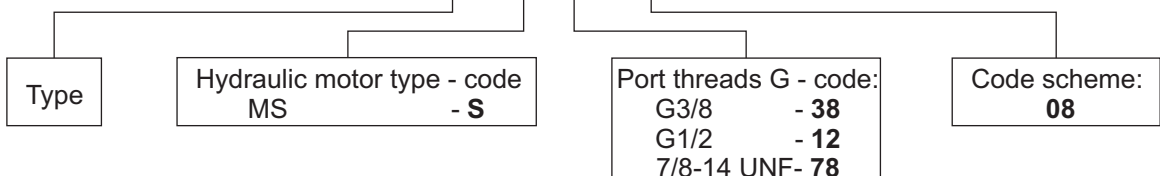
BDS .. 08



Type	Nom. flow rate	P _{nom.} bar	Port threads G	O-Ring
	L/min			
BDS 3808	25	210	G3/8 - DIN 3852	23,6x2,65
BDS 1208	60	210	G1/2 - DIN 3852	23,6x2,65
BDS 7808	70	210	7/8-14 UNF - ISO 11926	26x2

ORDERING CODE

BD S 12 08



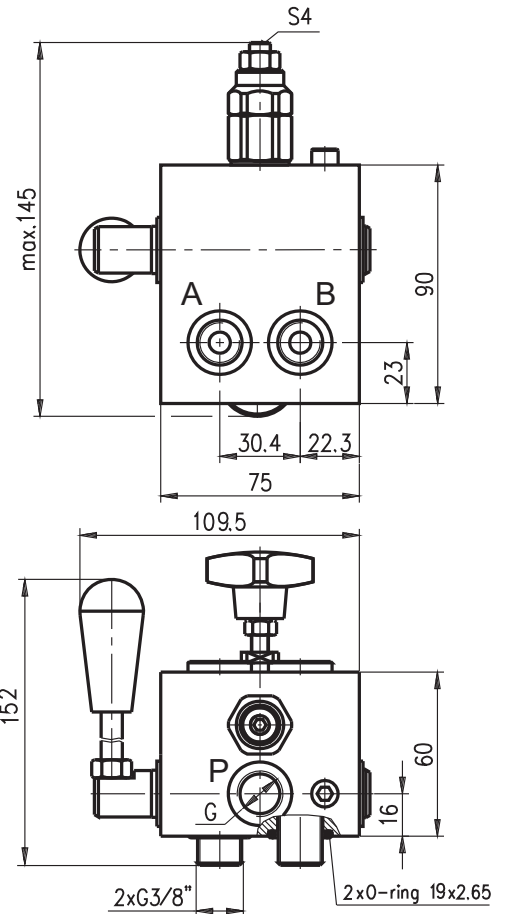
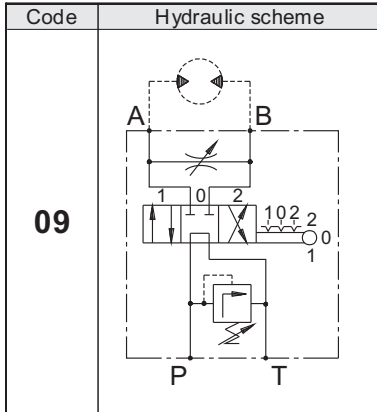


**Hidro
Pnevmo
Tehnika**

3, Vojeli St., Kazanlak, Bulgaria
Tel.: +359 431/62 228
Fax.: +359 431/62 019
e-mail: info@hpt-bg.com
www.hpt-bg.com

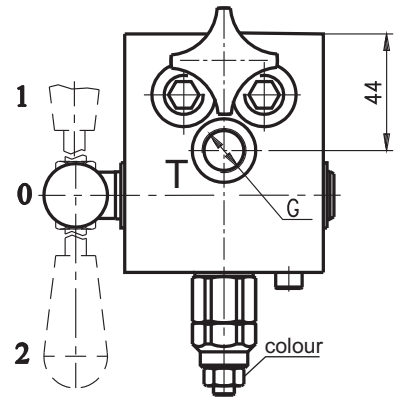
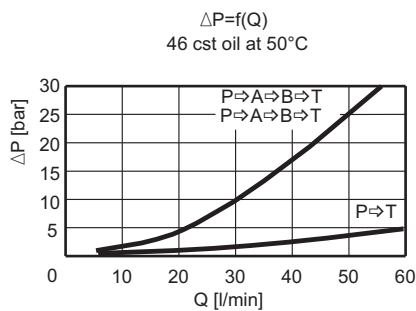
HYDRAULIC MOTOR BLOCKS TYPE BD

BDMH 3809



Pressure range			
Code	Standard setting (Q=5l/min)	Abj. pressure range	Colour
	bar	bar	
10	80	10...100	White
25	180	30...250	Yellow

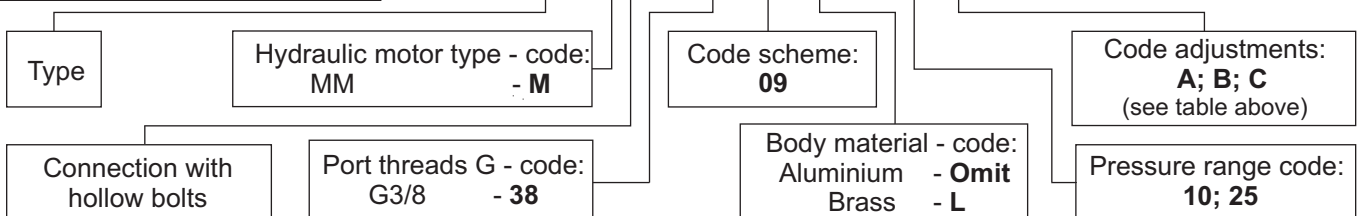
Code	Adjustments
A	Leakproof hex. socket screw
B	Handknob and locknut
C	Sealing cap



Type	Nom. flow rate	P _{max.}	Port threads G
	L/min	bar	-
BDMH 3809 . / . .	30	250	G3/8 - DIN 3852

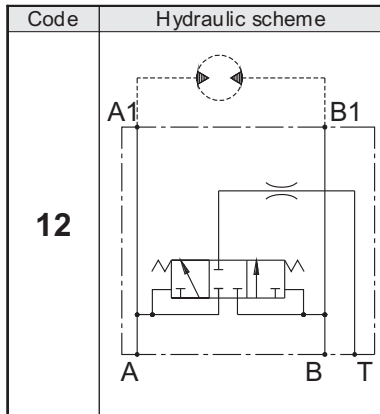
ORDERING CODE

BD M H 38 09 L / 10 A

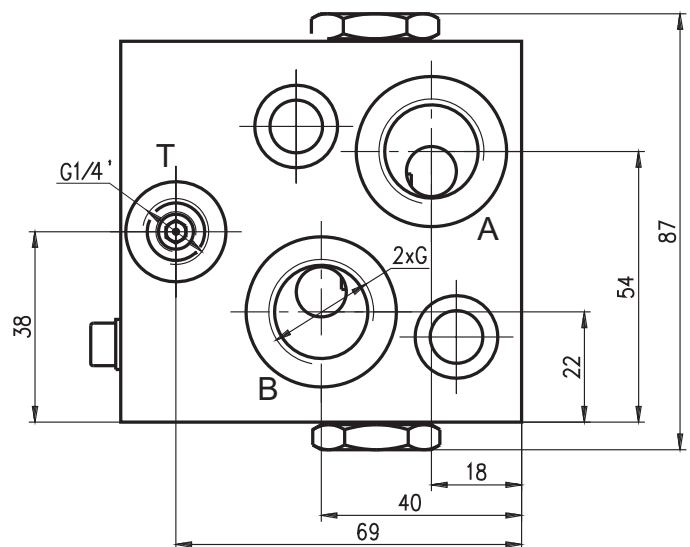
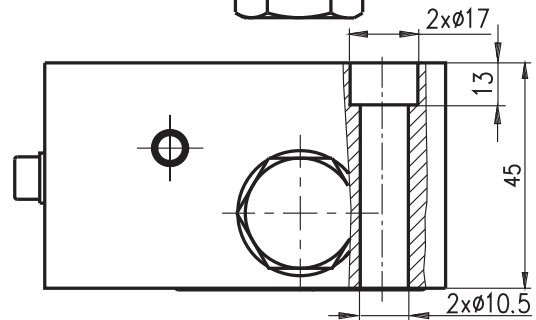
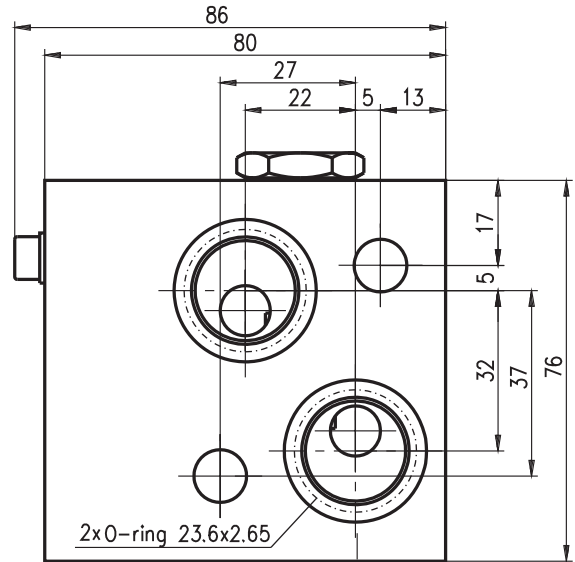
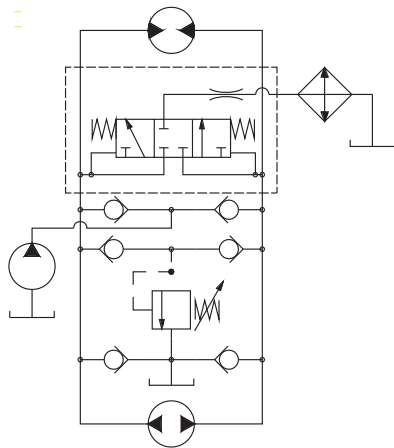




BDS 1212A



The manifold block is used in closed hydraulic systems to separate flow for cooling. It is connected according to the enclosed hydraulic design.



Type	Nom. flow rate	P _{nom.}	Port threads G
	L/min	bar	-
BDS 1212A	40	210	G1/2 - DIN 3852

ORDERING CODE

BD S 12 12A

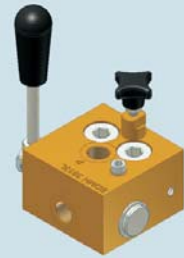




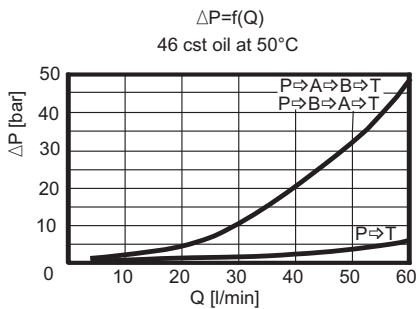
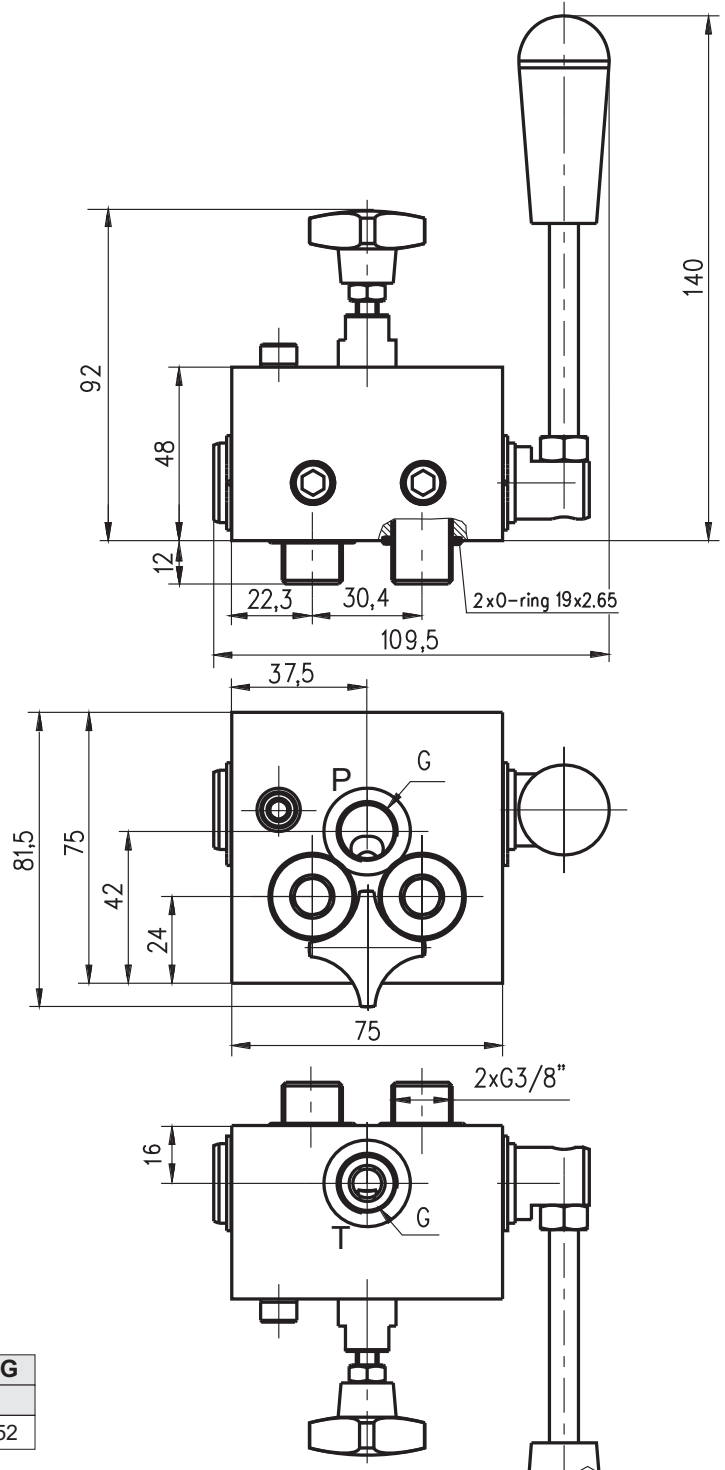
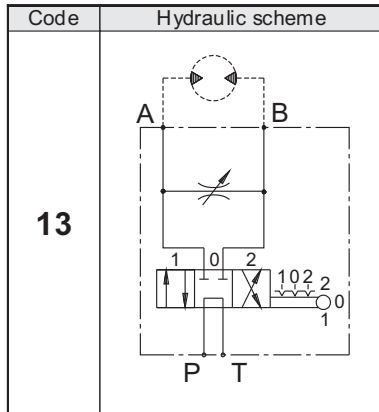
**Hidro
Pnevmo
Tehnika**

3, Vojeli St., Kazanlak, Bulgaria
Tel.: +359 431/62 228
Fax.: +359 431/62 019
e-mail: info@hpt-bg.com
www.hpt-bg.com

HYDRAULIC MOTOR BLOCKS TYPE BD



BDMH 3813 L



Type	Nom. flow rate	$P_{max.}$	Port threads G
	L/min	bar	-
BDMH 3813 . / . .	30	175	G3/8 - DIN 3852

ORDERING CODE

BD M H 38 13 L

Type

Hydraulic motor type - code:
MM - **M**

Connection with
hollow bolts

Port threads G - code:
G3/8 - **38**

Body material - code:
Aluminium - **Omit**
Brass - **L**

Code scheme:
09