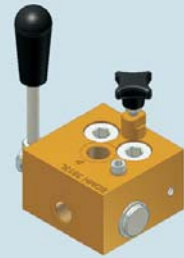




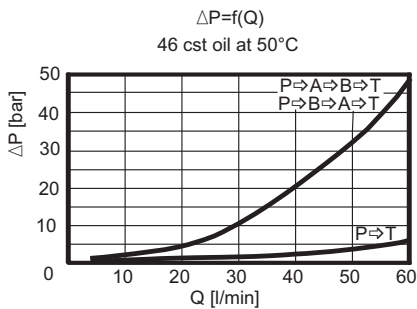
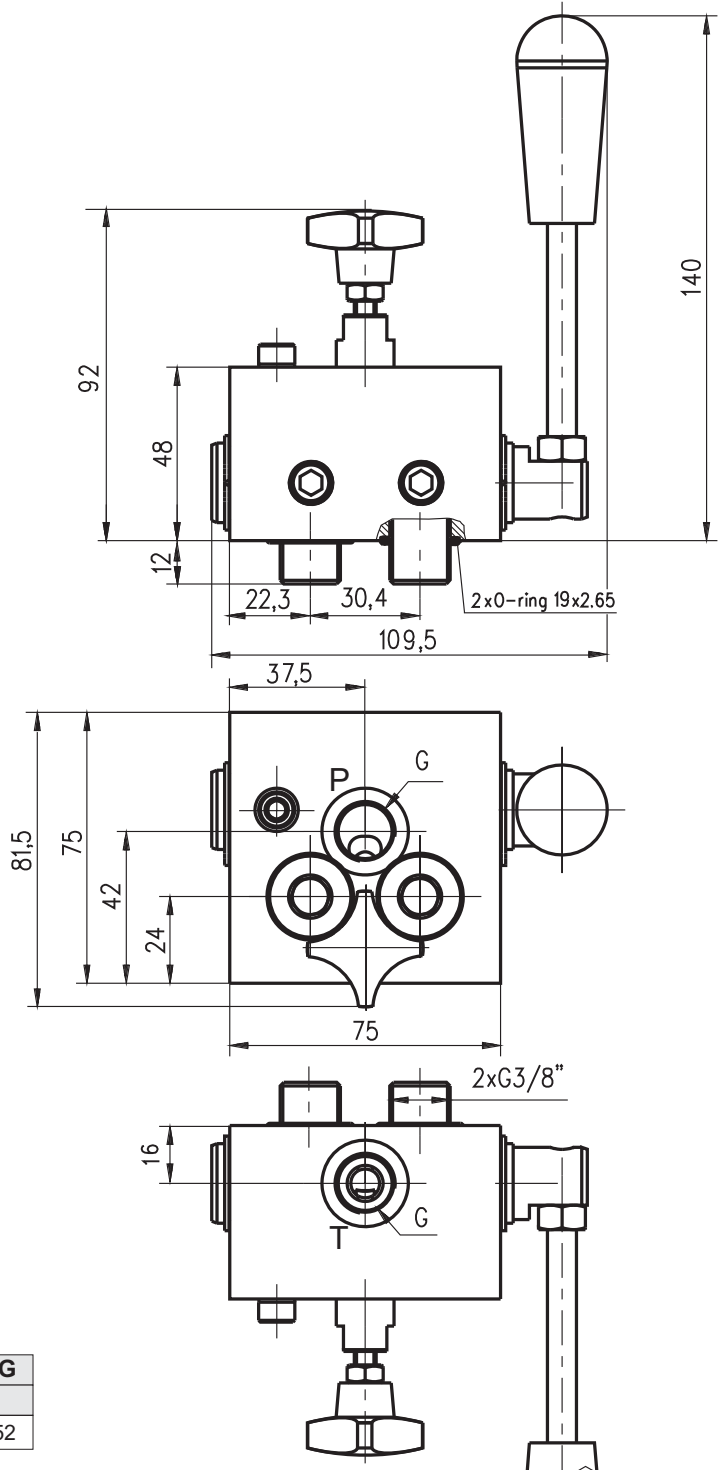
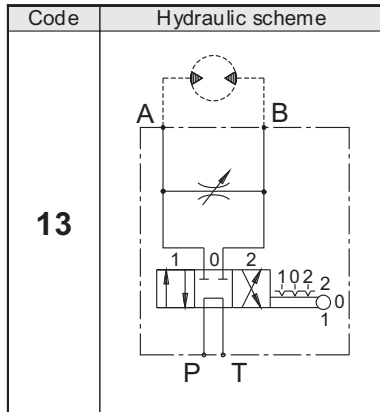
**Hidro  
Pnevmo  
Tehnika**

3, Vojeli St., Kazanlak, Bulgaria  
Tel.: +359 431/62 228  
Fax.: +359 431/62 019  
e-mail: [info@hpt-bg.com](mailto:info@hpt-bg.com)  
[www.hpt-bg.com](http://www.hpt-bg.com)

## HYDRAULIC MOTOR BLOCKS TYPE BD



**BDMH 3813 L**



| Type                     | Nom. flow rate | $P_{max.}$ | Port threads G  |
|--------------------------|----------------|------------|-----------------|
|                          | L/min          | bar        | -               |
| <b>BDMH 3813 . / . .</b> | 30             | 175        | G3/8 - DIN 3852 |

### ORDERING CODE

**BD M H 38 13 L**

Type

Connection with  
hollow bolts

Body material - code:  
Aluminium - **Omit**  
Brass - **L**

Hydraulic motor type - code:  
MM - **M**

Port threads G - code:  
G3/8 - **38**

Code scheme:  
**09**