



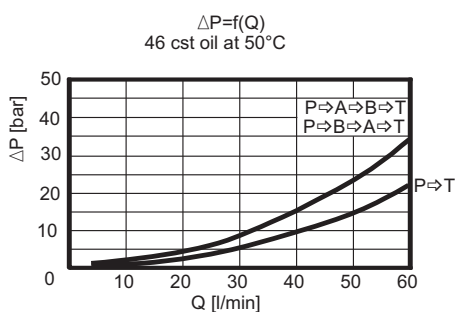
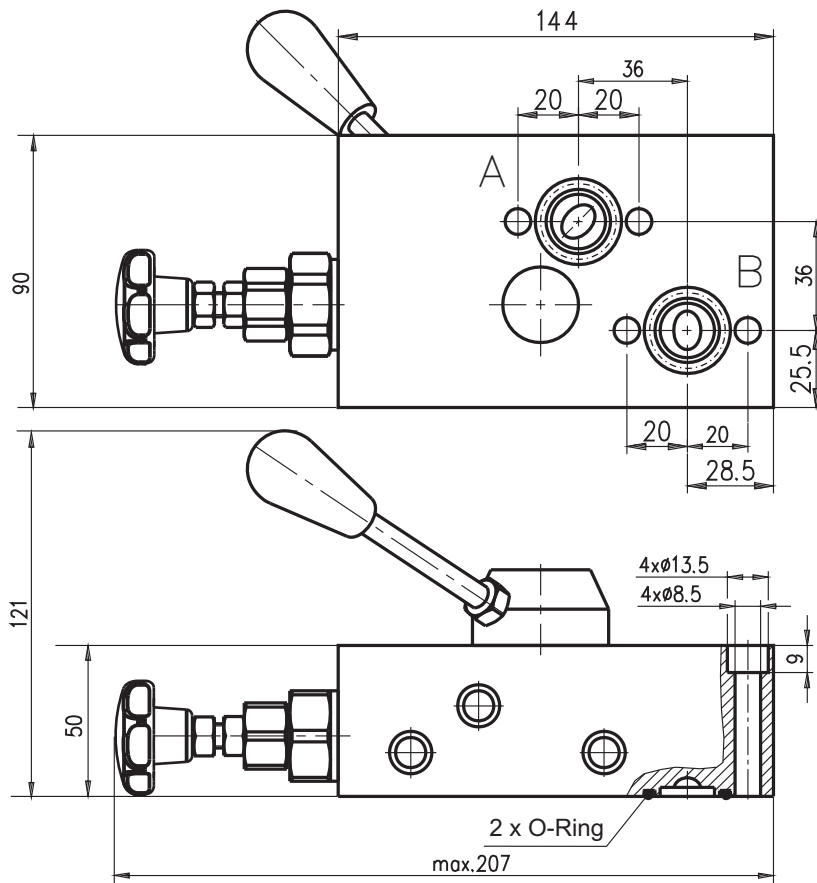
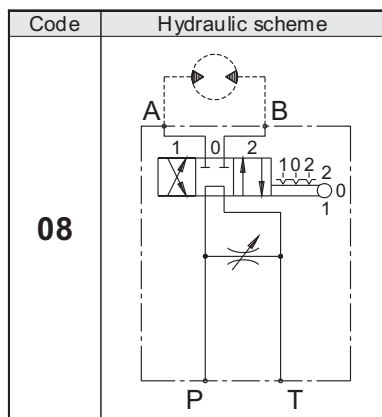
**Hidro  
Pnevmo  
Tehnika**

3, Vojeli St., Kazanlak, Bulgaria  
Tel.: +359 431/62 228  
Fax.: +359 431/62 019  
e-mail: [info@hpt-bg.com](mailto:info@hpt-bg.com)  
[www.hpt-bg.com](http://www.hpt-bg.com)

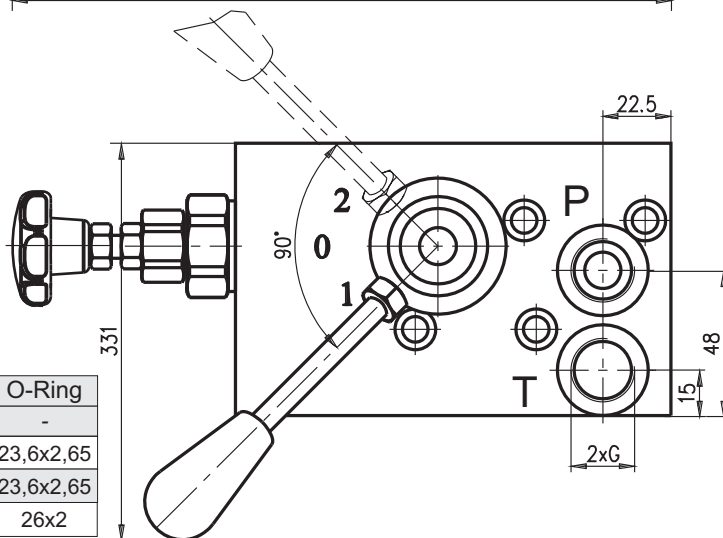
## HYDRAULIC MOTOR BLOCKS TYPE BD



**BDR .. 08**



Type	Nom. flow rate	P <sub>nom.</sub> bar	Port threads G	O-Ring
	L/min			
<b>BDR 3808</b>	25	210	G3/8 - DIN 3852	23,6x2,65
<b>BDR 1208</b>	60	210	G1/2 - DIN 3852	23,6x2,65
<b>BDR 7808</b>	70	210	7/8-14UNF - ISO 11926	26x2



### ORDERING CODE

**BD R 12 08**

