



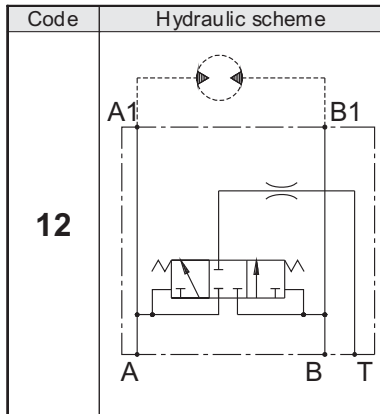
**Hidro
Pnevmo
Tehnika**

3, Vojeli St., Kazanlak, Bulgaria
Tel.: +359 431/62 228
Fax.: +359 431/62 019
e-mail: info@hpt-bg.com
www.hpt-bg.com

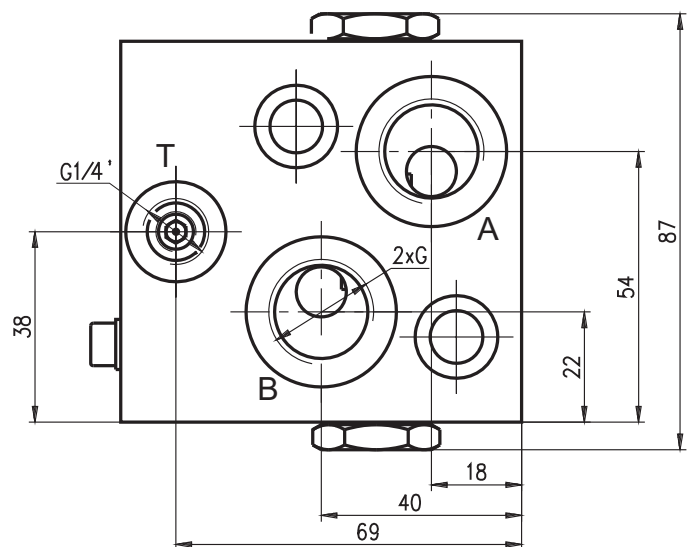
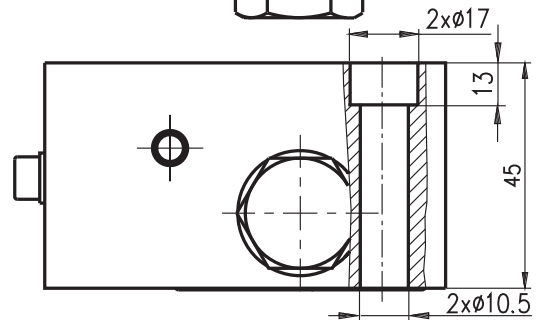
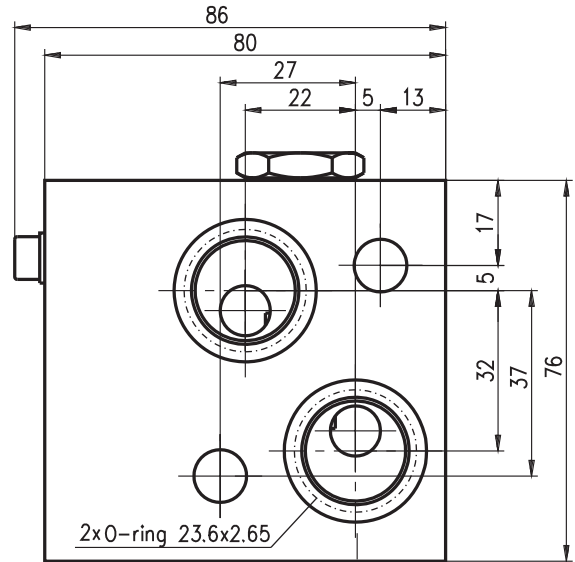
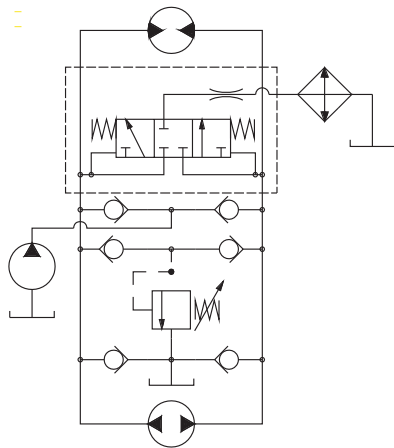
HYDRAULIC MOTOR BLOCKS TYPE BD



BDS 1212A



The manifold block is used in closed hydraulic systems to separate flow for cooling. It is connected according to the enclosed hydraulic design.



Type	Nom. flow rate	P _{nom.}	Port threads G
	L/min	bar	-
BDS 1212A	40	210	G1/2 - DIN 3852

ORDERING CODE

BD S 12 12A

