



**Hidro
Pnevmo
Tehnika**

3, Vojeli St., Kazanlak, Bulgaria
Tel.: +359 431/62 228
Fax.: +359 431/62 019
e-mail : info@hpt-bg.com
www.hpt-bg.com

IN-LINE SINGLE OVERCENTER VALVE

OWC/SE- 34/.. .

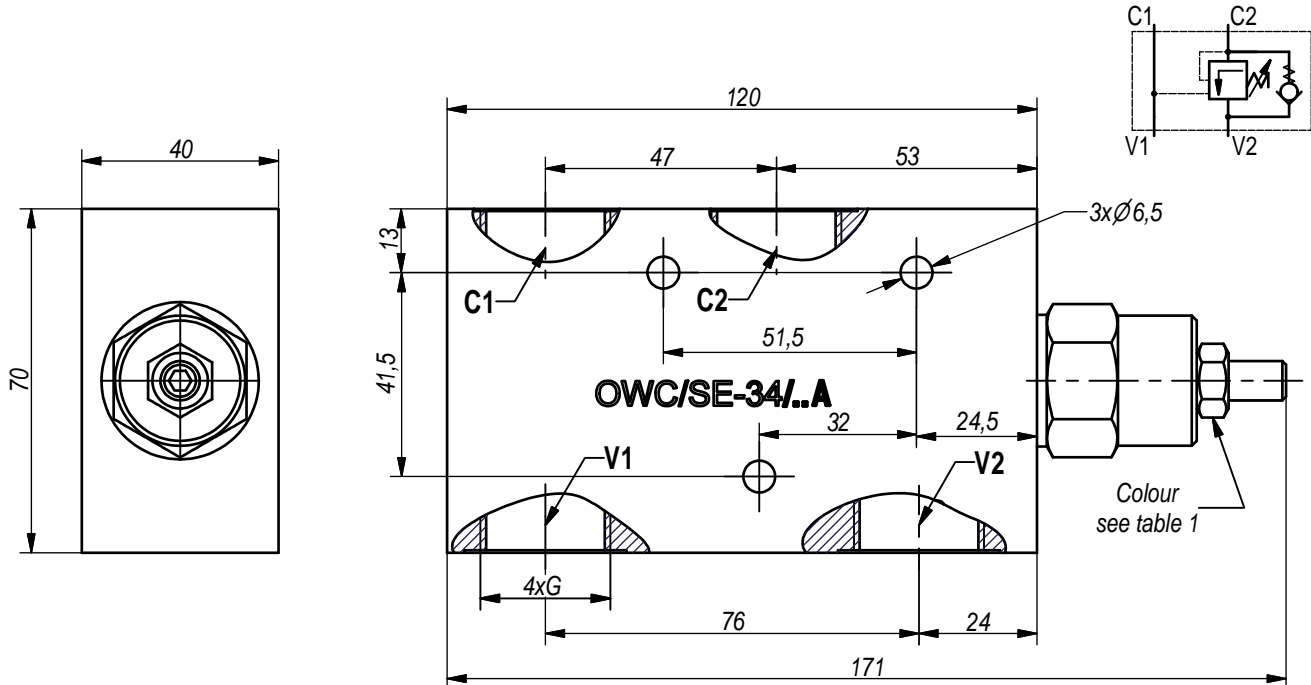
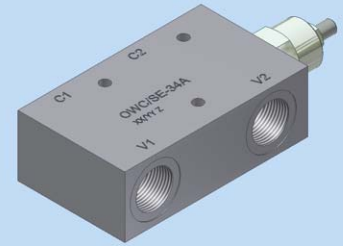


Table 1

Pressure range				
Code	Standard setting bar (Q=5L/min)	Adj. pressure range bar	Pilot ratio	Colour
25	100	60...250	4,26:1	White
35	250	100...350	4,26:1	Yellow

Table 2

Type	Q _{nom.}	G	Body material
	L/min.	-	-
OWC/SE-34/25A	100	G3/4"-DIN 3852	Aluminum
OWC/SE-34/25LA	100	G3/4"-DIN 3852	Brass
OWC/SE-34/35A	100	G3/4"-DIN 3852	Cast iron

All performances and calibration are carried out by using hydraulic oil with viscosity approx. 46 cSt at 50°C.

Working fluid - mineral oil with:
 - viscosity - 10...100 cSt;
 - temperature - -20...+80°C;
 - filtration level - 25 µm.

ORDERING CODE

OWC/SE - 34 / 25 L

