



**Hidro  
Pnevmo  
Tehnika**

3, Vojeli St., Kazanlak, Bulgaria  
Tel.: +359 431/62 228  
Fax.: +359 431/62 019  
e-mail : info@hpt-bg.com  
www.hpt-bg.com

## SINGLE OVERCENTER VALVE WITH EXTERNAL PILOT- NIPPLE SCREW FLANGEABLE

**OWC/SE-38/..M**

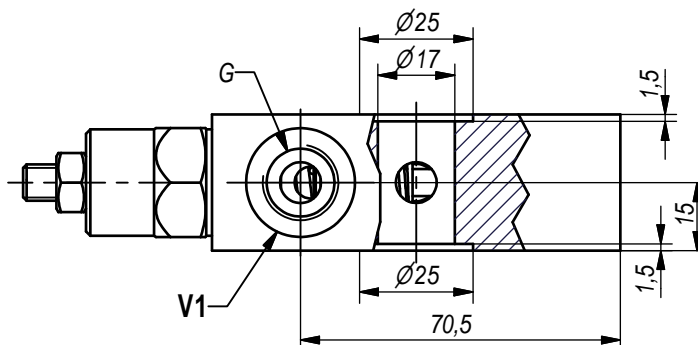
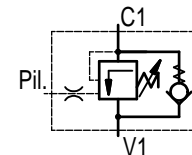
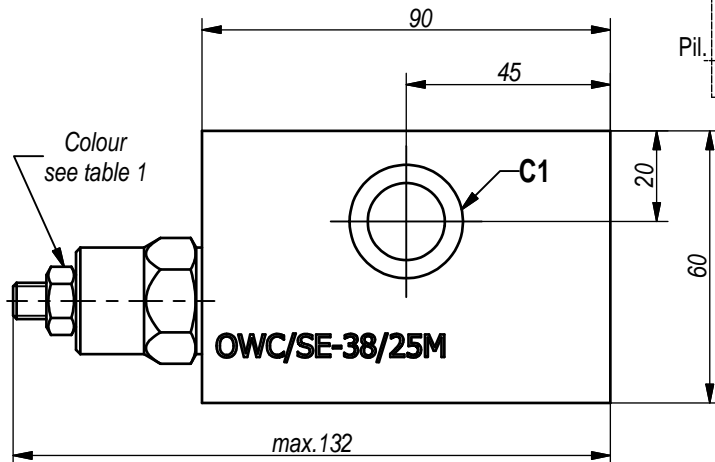
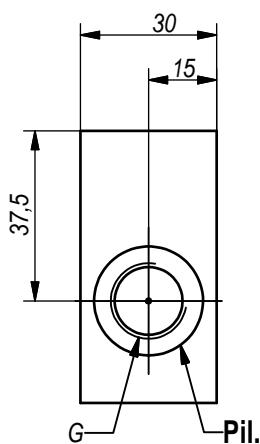


Table 1

Pressure range				
Code	Standard setting bar (Q=5L/min)	Adj. pressure range bar	Pilot ratio	Colour
25	100	60...250	4,26:1	White
35	250	100...350	4,26:1	Yellow

Table 2

Type	Q nom.	G	Body material
	L/min.		
OWC/SE-38/25M	35	G3/8"-DIN 3852	Aluminium
OWC/SE-38/35M	35	G3/8"-DIN 3852	Cast iron

All performances and calibration are carried out by using hydraulic oil with viscosity approx. 46 cSt at 50°C.

**Working fluid** - mineral oil with:  
 - viscosity - 10...100 cSt;  
 - temperature - -20...+80°C;  
 - filtration level - 25 µm.

### ORDERING CODE

### OWC/SE - 38/25 M

