

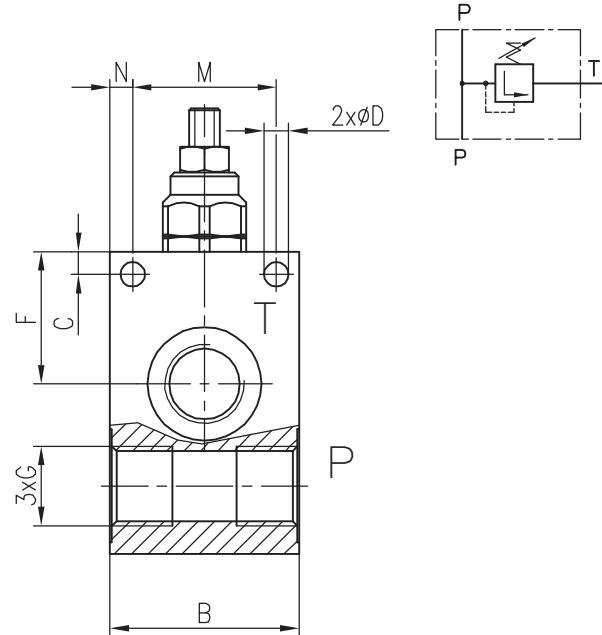
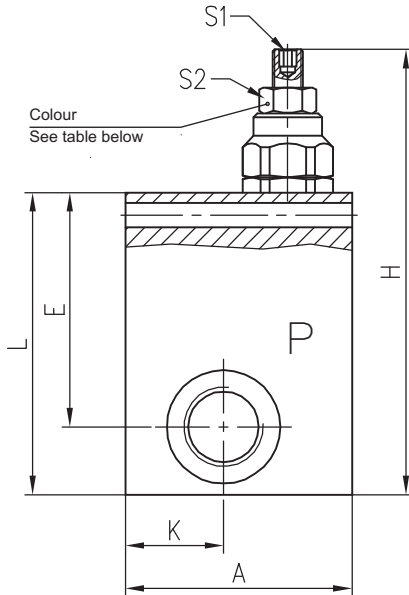
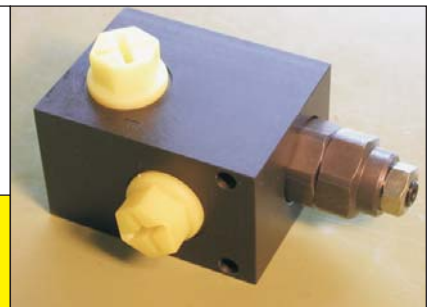


**Hidro
Pnevmo
Tehnika**

3, Vojeli St., Kazanlak, Bulgaria
Tel.: +359 431/ 62 228
Fax : +359/ 62 019
e-mail : info@hpt-bg.com
www.hpt-bg.com

CARTRIDGE RELIEF VALVES

CPL ../-../..



Type	Q _{max}	G	A	B	C	H	K	L	M	N	E	F	D	S1	S2
	L/min														
CPL 40/14	40	G 1/4	50	40	8	108	20	65	32	4	47	26	5,5	4	13
CPL 40/38		G 3/8													
CPL 40/12		G 1/2													
CPL 80/12	80	G 1/2	60	50	6	135	26	80	38	6	62	35	6,5	5	17
CPL 80/34		G 3/4									60	33			

Pressure range			
Code	Standard setting bar (Q=5l/min)	Adj. pressure range bar	Colour
10	80	10..100	White
25	180	30..250	Yellow
35	250	70..350	Black

Code	Adjustments
A	Leakproof hex. socket screw
B	Handknob and locknut

All performances and calibrations are carried out By using hydraulic oil with viscosity approx. 46 cSt at 50 °C.
Temperature range: -20 °C...+80 °C.
Filtration absolute: 25 µm
Tightening torque 35 N.m.

ORDERING CODE

CPL 40 / 14-10 A

