

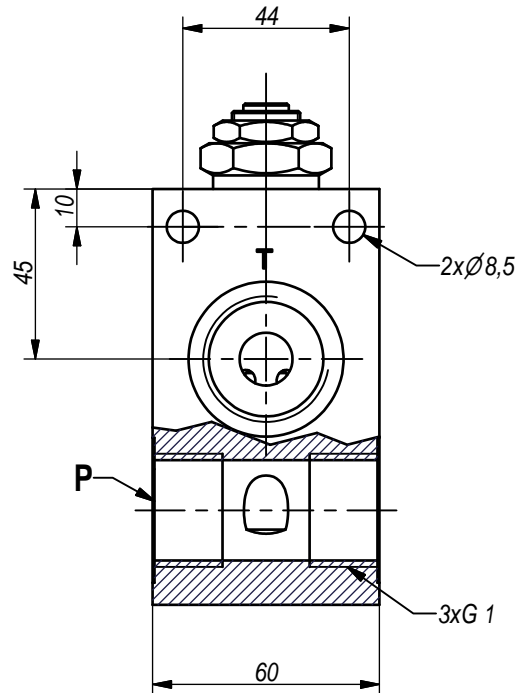
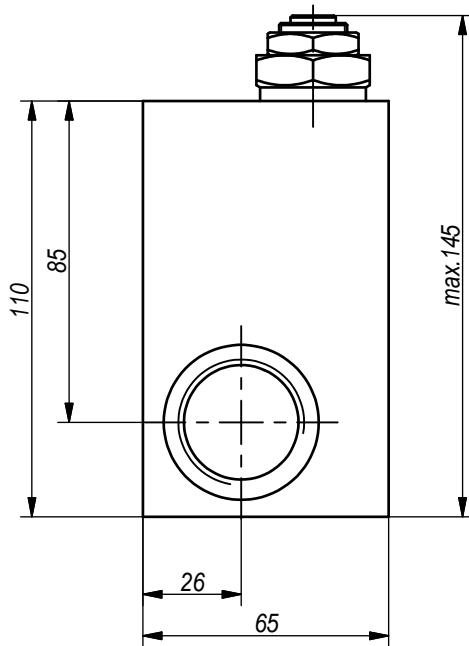
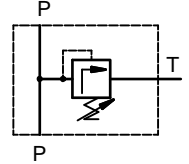
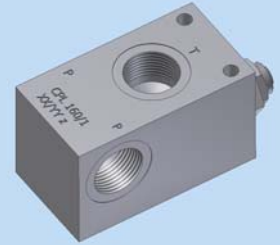


**Hidro
Pnevmo
Tehnika**

3, Vojeli St., Kazanlak, Bulgaria
Tel.: +359 431/62 228
Fax.: +359 431/62 019
e-mail : info@hpt-bg.com
www.hpt-bg.com

RELIEF VALVE

CPL160/1-..



| Type | Adjustment range | Standard setting | Q max. |
|-------------|------------------|------------------|--------|
| | bar. | bar. | L/min. |
| CPL160/1-10 | 5 ... 100 | 80 | 160 |
| CPL160/1-20 | 15 ... 200 | 180 | |
| CPL160/1-30 | 20 ... 320 | 250 | |

All performances and calibration are carried out by using hydraulic oil with viscosity approx 46 cSt at 50 °C
Temperature range -20...+80 °C
Filtration absolute 25 µm

ORDERING CODE

CPL160/1 - ..

