

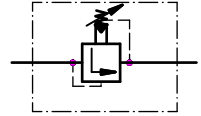
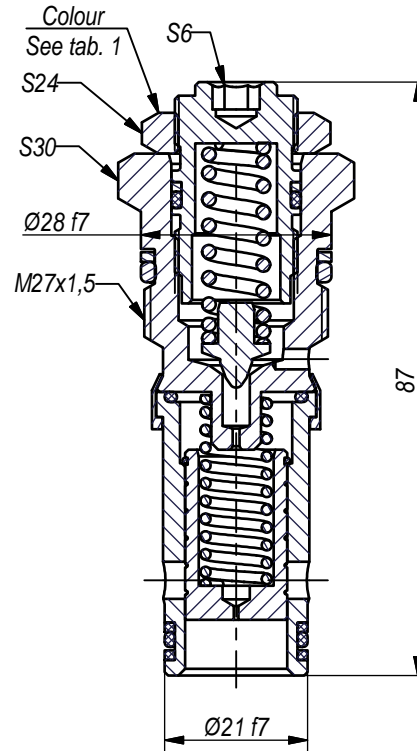
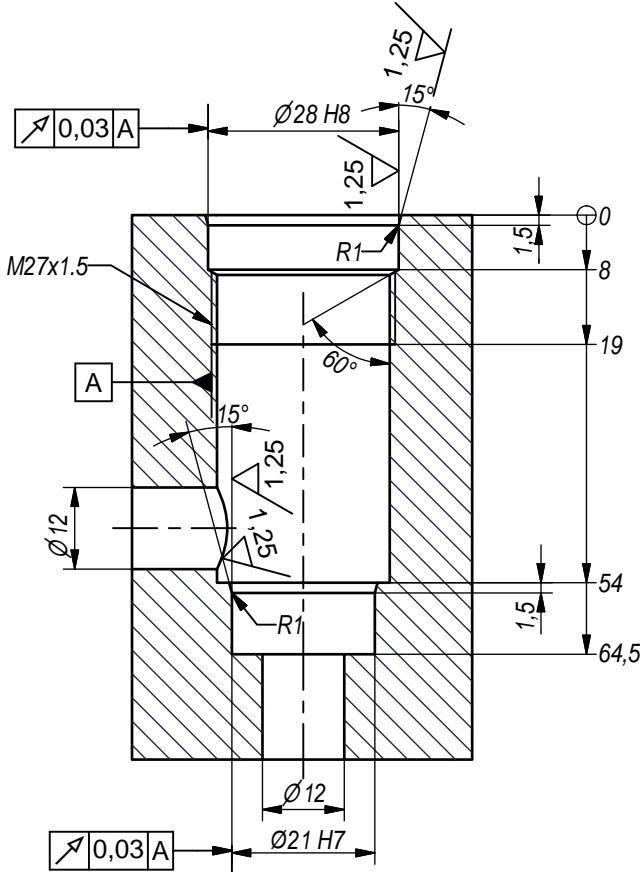
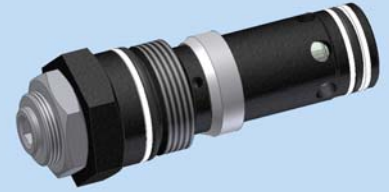


**Hidro
Pnevmo
Tehnika**

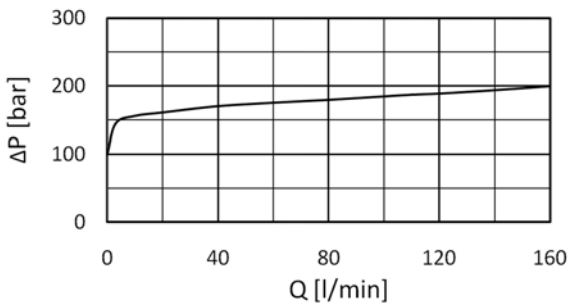
3, Vojeli St., Kazanlak, Bulgaria
Tel.: +359 431/62 228
Fax.: +359 431/62 019
e-mail : info@hpt-bg.com
www.hpt-bg.com

CARTRIDGE RELIEF VALVE

KPPZ 10-1/..



$\Delta P=f(Q)$



TECHNICAL DATA		
General		
Ambient temperature	°C	-20...+50
Hydraulic		
See tab. 1		
Working fluid – mineral oil		
- viscosity	mm ² /s	10...100
- filtration level	µm	25 or better
- temperature	°C	-20...80

Tab. 1

Note:

1. All performances and calibration are carried out by using hydraulic oil with viscosity approx 46 cSt at 50 °C.
2. Tightening torque 45 Nm.

Code	Adj. pressure range bar.	Standard setting (Q=5l/min) bar.	Q _{nom} l/min.	Colour
10	5 ... 100	80	160	White
20	15 ... 200	180		Yellow
32	20 ... 320	250		Black

ORDERING CODE

KPPZ10-1 / 10

Type

Abj. pressure range - code:
See tab.1