



**Hidro  
Pnevmo  
Tehnika**

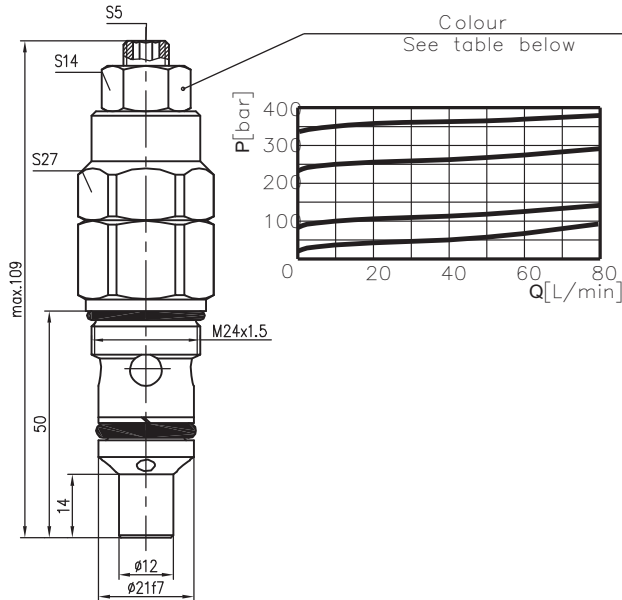
3, Vojeli St., Kazanlak, Bulgaria  
Tel.: +359 431/ 62 228  
Fax : +359/ 62 019  
e-mail : info@hpt-bg.com  
www.hpt-bg.com

## CARTRIDGE RELIEF VALVES

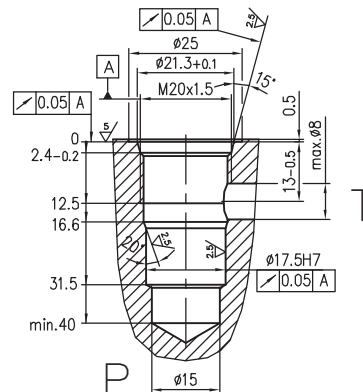
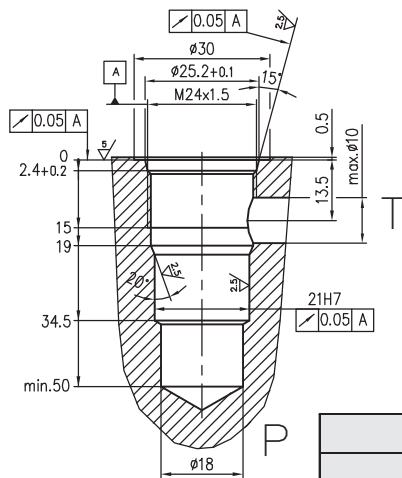
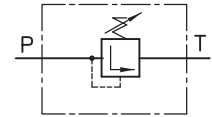
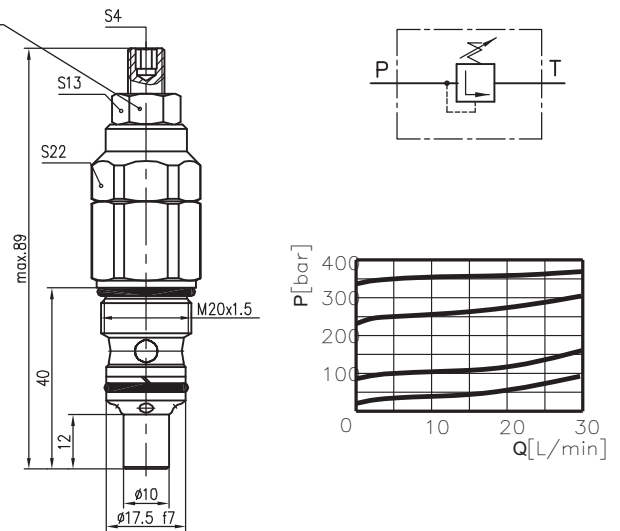
**KPZ .. / ..**



### KPZ 10/.. A

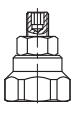
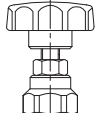


### KPZ 6/.. A



Type	P <sub>max.</sub>	Q <sub>max.</sub>
	bar	L/ min
KPZ6/ ..	350	20
KPZ10/ ..	250	40

Pressure range			
Code	Standard setting bar (Q= 5l/ min)	Adj. pressure range bar	Colour
10	80	10..100	White
25	180	30..250	Yellow
35	250	70..350	Black

Code	Adjustments
A	Leakproof hex. socket screw 
B	Handknob and locknut 

All performances and calibrations are carried out by using hydraulic oil with viscosity approx. 46 cSt at 50°C  
Temperature range:-20 °C...+80 °C. Filtration absolute: 25 µm. Tightening torque 35 N.m.

### ORDERING CODE

**KPZ 6 / 10 A**

Type

Pressure range code: **10,25,35**

Adjustments code: **A,B**