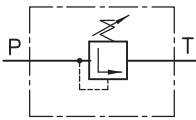

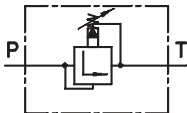

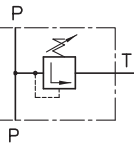
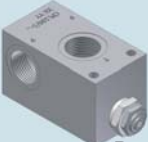
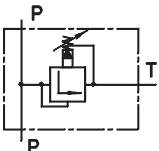
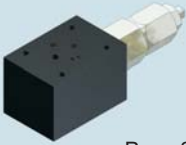
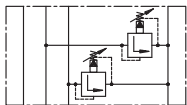
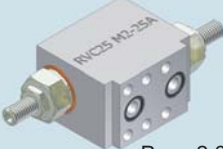
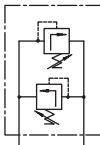

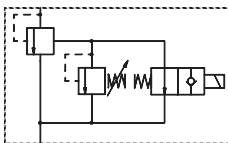
 <p>Page 2.1</p>	<b>KPZ .. / .. ..</b> 
 <p>Page 2.2</p>	<b>KPPZ 10-1/..</b> 
 <p>Page 2.3</p>	<b>CPL .. / .. - .. / ..</b> 
 <p>Page 2.4</p>	<b>CPL160/1-..</b> 
 <p>Page 2.5</p>	<b>KP6M / .. ..</b> 
 <p>Page 2.6</p>	<b>RVC25 M2-25A</b> 
 <p>Page 2.7</p>	<b>RVE .. - .. .. .</b> 



**Hidro  
Pnevmo  
Tehnika**

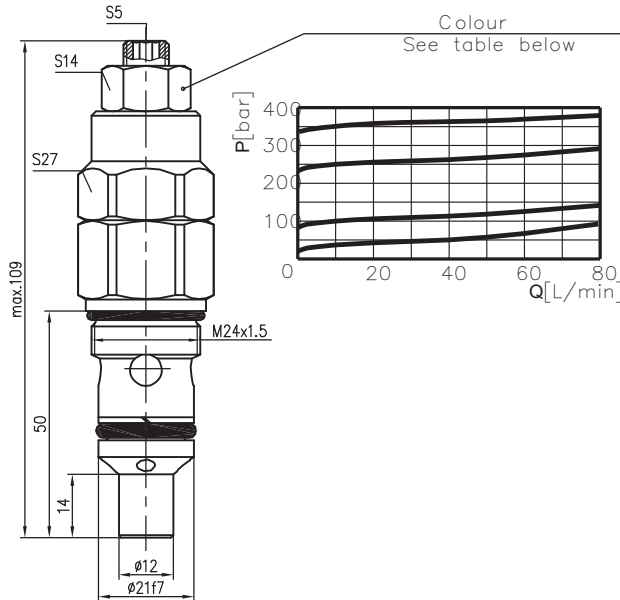
3, Vojeli St., Kazanlak, Bulgaria  
Tel.: +359 431/ 62 228  
Fax : +359/ 62 019  
e-mail : info@hpt-bg.com  
www.hpt-bg.com

## CARTRIDGE RELIEF VALVES

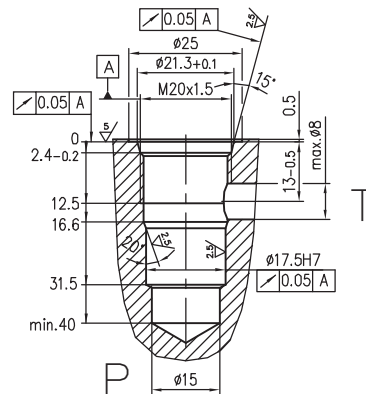
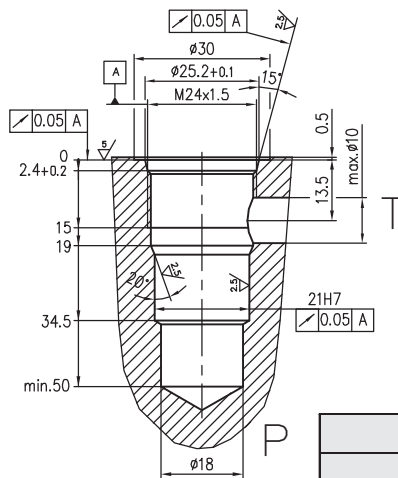
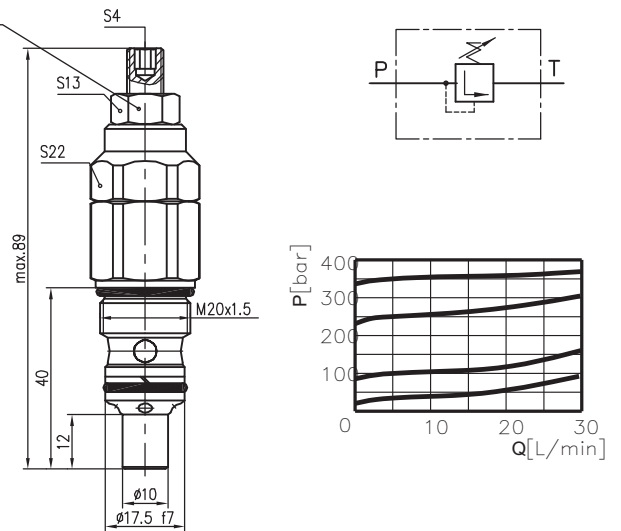
**KPZ .. / .. ..**



### KPZ 10/.. A



### KPZ 6/.. A



Type	P <sub>max.</sub>	Q <sub>max.</sub>
	bar	L/ min
KPZ6/ ..	350	20
KPZ10/ ..	250	40

Pressure range			
Code	Standard setting bar (Q= 5l/ min)	Adj. pressure range bar	Colour
10	80	10..100	White
25	180	30..250	Yellow
35	250	70..350	Black

Code	Adjustments
A	Leakproof hex. socket screw
B	Handknob and locknut

All performances and calibrations are carried out by using hydraulic oil with viscosity approx. 46 cSt at 50°C  
Temperature range:-20 °C...+80 °C. Filtration absolute: 25 µm. Tightening torque 35 N.m.

### ORDERING CODE

**KPZ 6 / 10 A**



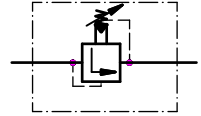
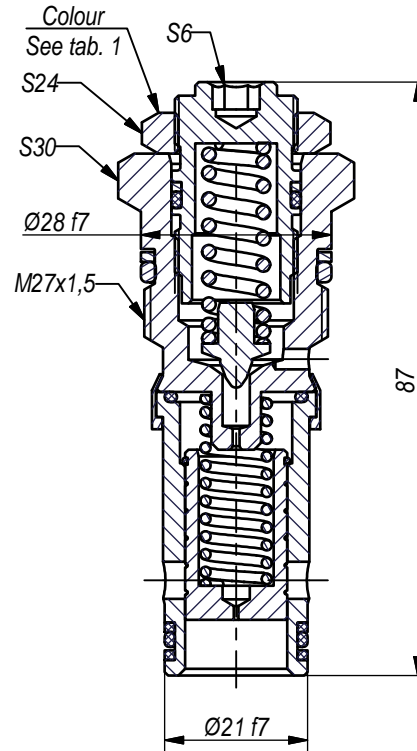
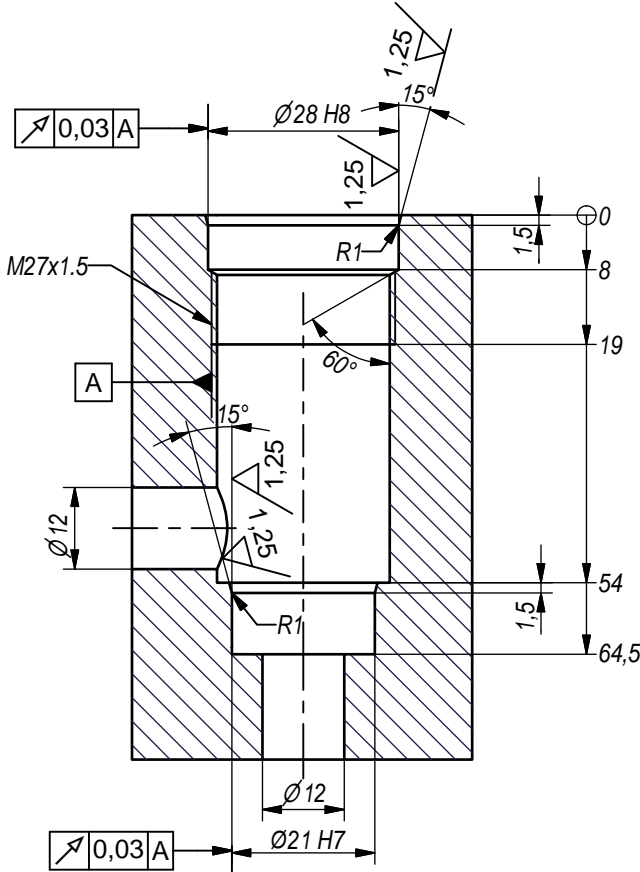
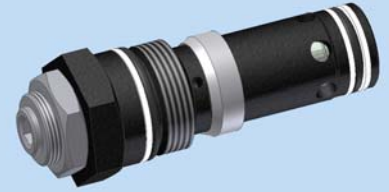


**Hidro  
Pnevmo  
Tehnika**

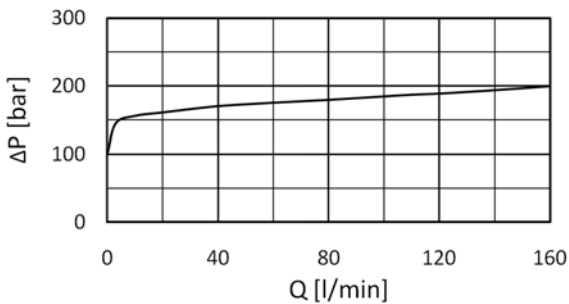
3, Vojeli St., Kazanlak, Bulgaria  
Tel.: +359 431/62 228  
Fax.: +359 431/62 019  
e-mail : info@hpt-bg.com  
www.hpt-bg.com

## CARTRIDGE RELIEF VALVE

**KPPZ 10-1/..**



$\Delta P=f(Q)$



TECHNICAL DATA		
General		
Ambient temperature	°C	-20...+50
Hydraulic		
See tab. 1		
Working fluid – mineral oil		
- viscosity	mm <sup>2</sup> /s	10...100
- filtration level	μm	25 or better
- temperature	°C	-20...80

Tab. 1

**Note:**

- All performances and calibration are carried out by using hydraulic oil with viscosity approx 46 cSt at 50 °C.
- Tightening torque 45 Nm.

Code	Adj. pressure range bar.	Standard setting (Q=5l/min) bar.	Q <sub>nom</sub> l/min.	Colour
10	5 ... 100	80	160	White
20	15 ... 200	180		Yellow
32	20 ... 320	250		Black

### ORDERING CODE

**KPPZ10-1 / 10**

Type

Abj. pressure range - code:  
**See tab.1**

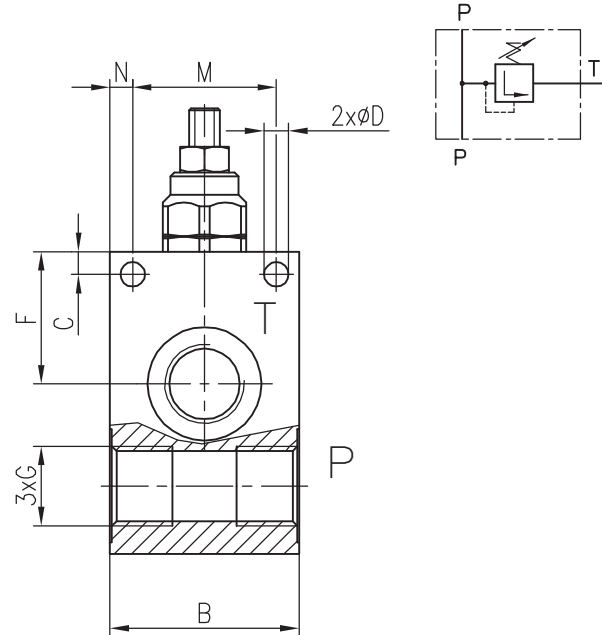
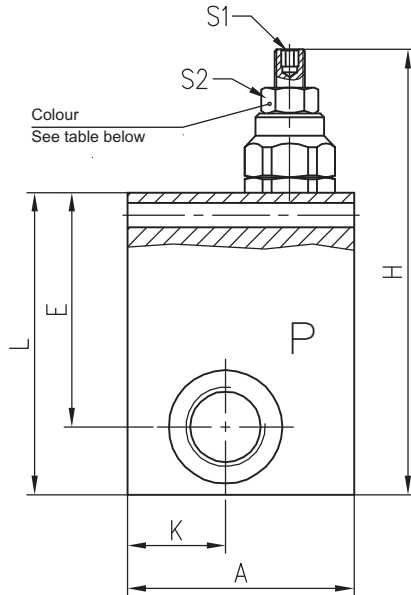
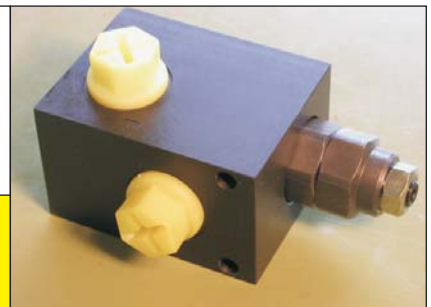


**Hidro  
Pnevmo  
Tehnika**

3, Vojeli St., Kazanlak, Bulgaria  
Tel.: +359 431/ 62 228  
Fax : +359/ 62 019  
e-mail : info@hpt-bg.com  
www.hpt-bg.com

## CARTRIDGE RELIEF VALVES

**CPL ../-../..**



Type	Q <sub>max</sub>	G	A	B	C	H	K	L	M	N	E	F	D	S1	S2
	L/min														
CPL 40/14	40	G 1/4	50	40	8	108	20	65	32	4	47	26	5,5	4	13
CPL 40/38		G 3/8													
CPL 40/12		G 1/2													
CPL 80/12	80	G 1/2	60	50	6	135	26	80	38	6	62	35	6,5	5	17
CPL 80/34		G 3/4									60	33			

Pressure range			
Code	Standard setting bar (Q=5l/min)	Adj. pressure range bar	Colour
10	80	10..100	White
25	180	30..250	Yellow
35	250	70..350	Black

Code	Adjustments
A	Leakproof hex. socket screw
B	Handknob and locknut

All performances and calibrations are carried out By using hydraulic oil with viscosity approx. 46 cSt at 50 °C.  
Temperature range: -20 °C...+80 °C.  
Filtration absolute: 25 µm  
Tightening torque 35 N.m.

### ORDERING CODE

**CPL 40 / 14-10 A**

Type

Adjustments code: **A,B**

Max.Flow:**40,80**

Port threads G:**14,38,12,34**

Pressure range code:**10,25,35**

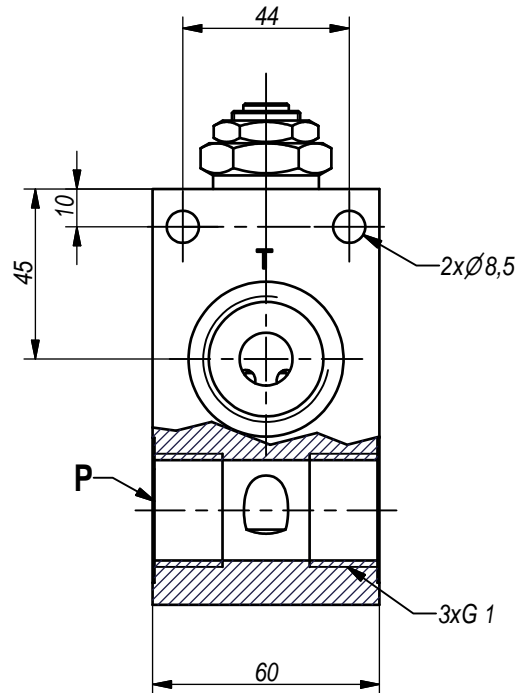
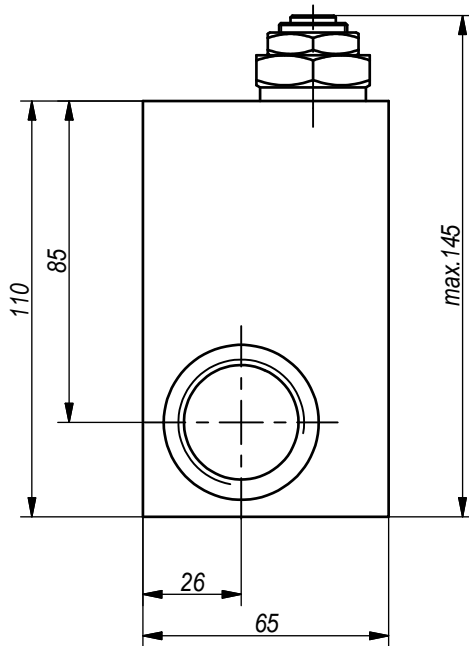
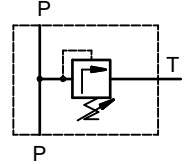
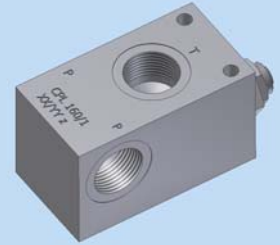


**Hidro  
Pnevmo  
Tehnika**

3, Vojeli St., Kazanlak, Bulgaria  
Tel.: +359 431/62 228  
Fax.: +359 431/62 019  
e-mail : info@hpt-bg.com  
www.hpt-bg.com

## RELIEF VALVE

**CPL160/1-..**

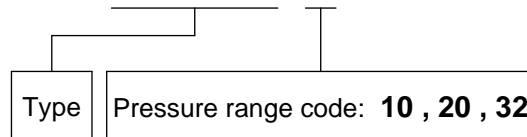


Type	Adjustment range	Standard setting	Q max.
	bar.	bar.	L/min.
CPL160/1-10	5 ... 100	80	160
CPL160/1-20	15 ... 200	180	
CPL160/1-30	20 ... 320	250	

All performances and calibration are carried out by using hydraulic oil with viscosity approx 46 cSt at 50 °C  
Temperature range -20...+80 °C  
Filtration absolute 25 µm

### ORDERING CODE

**CPL160/1 - ..**



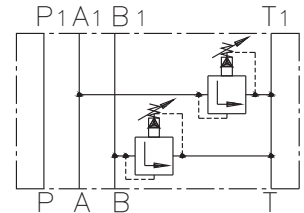
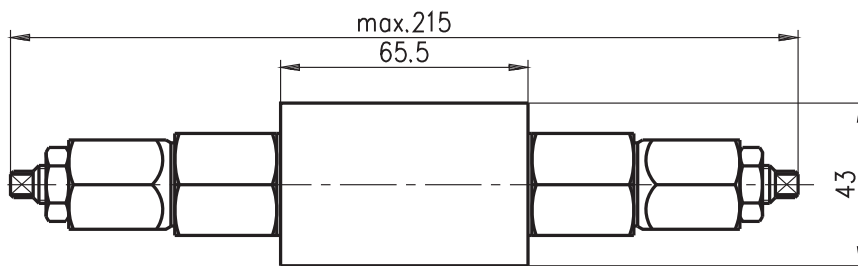
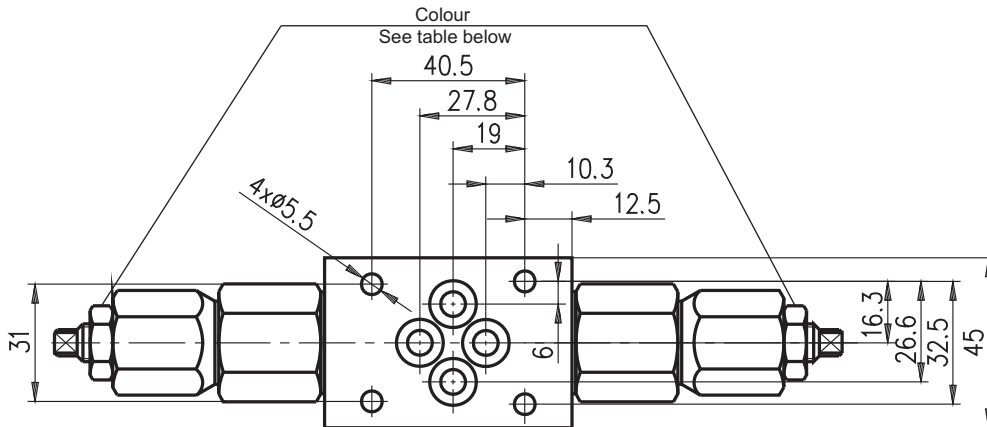
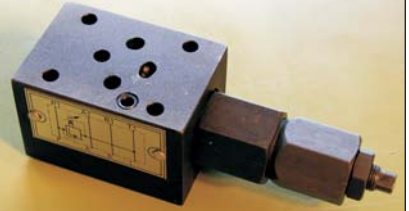


**Hidro  
Pnevmo  
Tehnika**

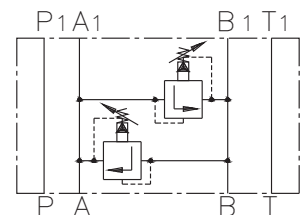
3, Vojeli St., Kazanlak, Bulgaria  
Tel.: +359 431/ 62 228  
Fax : +359/ 62 019  
e-mail : info@hpt-bg.com  
www.hpt-bg.com

## RELIEF VALVE

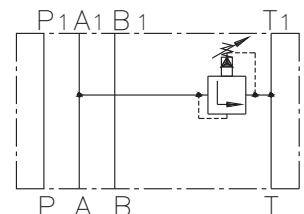
**KP6M / ...**



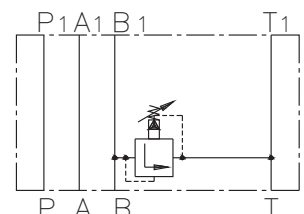
**KP6M/..AB**



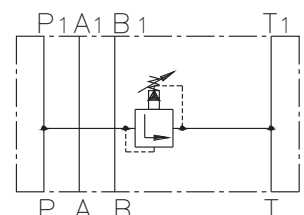
**KP6M/..AB2**



**KP6M/..A**



**KP6M/..B**



**KP6M/..P**

All performances and calibration are carried out by using hydraulic oil with viscosity approx. 46 cSt at 50 °C  
Temperature range: -20 °C...+80°C.  
Filtration absolute: 25µm

Code	Adj. pressure range bar	Standard setting bar (Q= 5l/ min)	Q <sub>nom</sub> l/ min	Colour
10	5..100	80	20	White
20	15..200	180		Yellow
32	20..320	250		Black

### ORDERING CODE

**KP6M /32 AB**

Type

Pressure range code: **10,20,32**

Connect relief valve at port: **A,B,AB2,P,AB**

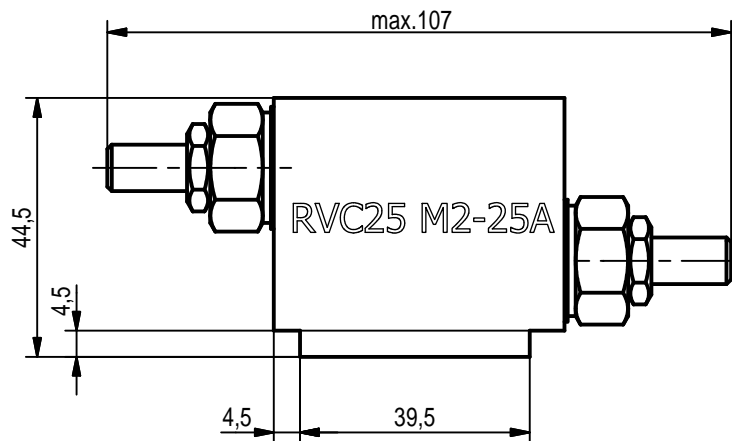
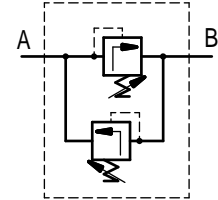
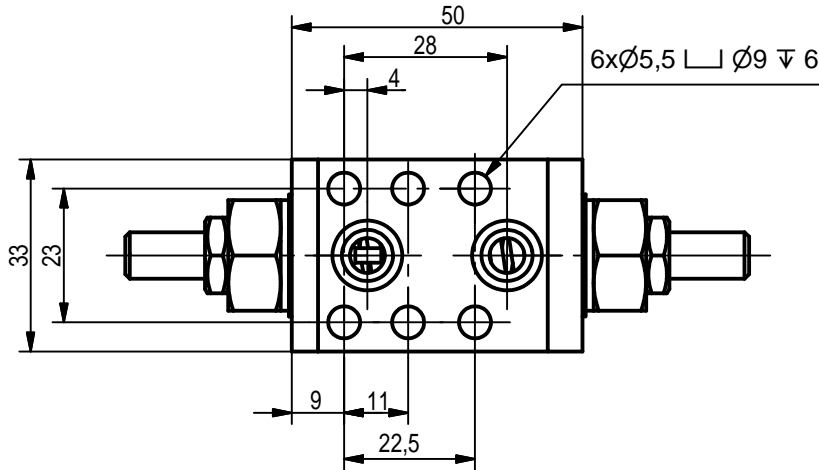
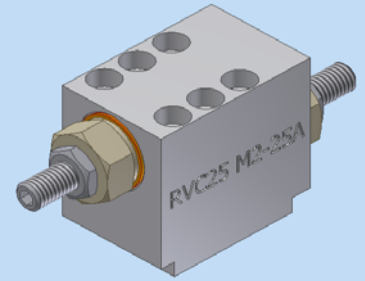



**Hidro  
Pnevmo  
Tehnika**

3, Vojeli St., Kazanlak, Bulgaria  
Tel.: +359 431/62 228  
Fax.: +359 431/62 019  
e-mail : info@hpt-bg.com  
www.hpt-bg.com

## RELIEF VALVES

### RVC25 M2-25A



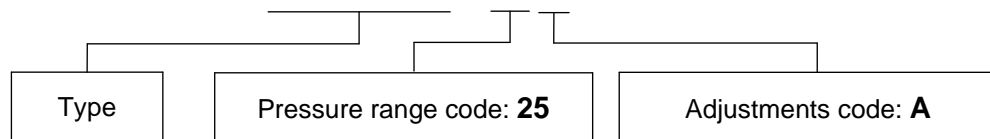
Code	Adjustments
A	Leakproof hex socket screw 

All performances and calibration are carried out by using hydraulic oil with viscosity approx 46 cSt at 50 °C  
Temperature range -20...+80 °C  
Filtration absolute 25  $\mu\text{m}$

Type	$P_{\text{max.}}$	$Q_{\text{nom.}}$	Standard settings
	bar	L/min	bar(Q=20 l/min.)
RVC25 M2-25A	250	20	200

## ORDERING CODE

### RVC25 M2 - 25 A



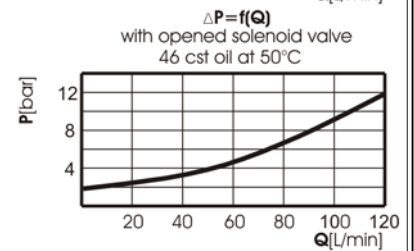
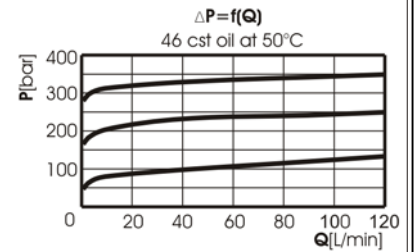
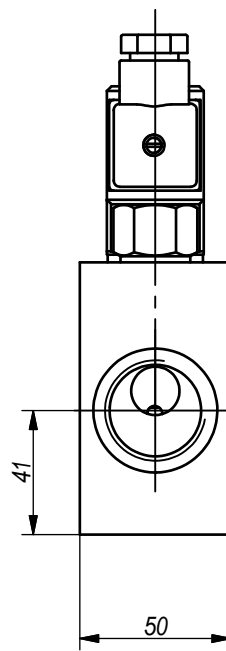
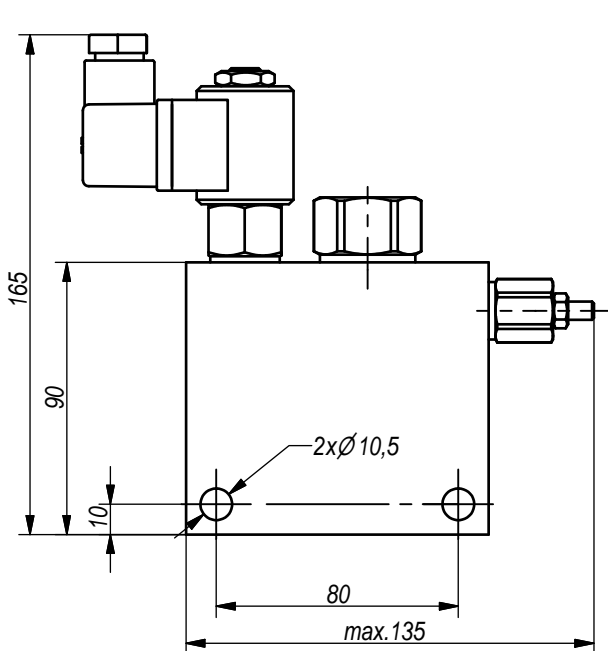
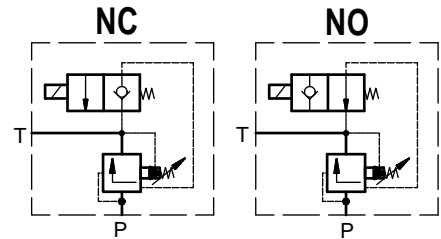
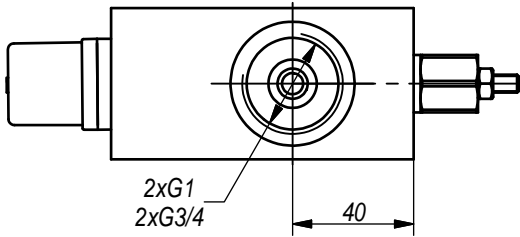


**Hidro  
Pnevmotehnika**

3, Vojeli St., Kazanlak, Bulgaria  
Tel.: +359 431/62 228  
Fax.: +359 431/62 019  
e-mail : info@hpt-bg.com  
www.hpt-bg.com

## PILOT OPERATED PRESSURE RELIEF VALVE WITH ELECTRIC CONTROL

**RVE . . . . .**



Code	Adjustment range	Standard setting
	bar.	bar.
10	10 ... 100	80
25	30 ... 250	180
35	70 ... 350	250

All performances and calibration are carried out by using hydraulic oil with viscosity approx 46 cSt at 50 °C  
Temperature range -20...+80 °C  
Filtration absolute 25 μm

### ORDERING CODE

**RVE 1 - 25 NO 24 DC**

Type

Port threads G: **34 , 1**

Pressure range code: **10 , 25 , 35**

Current: **DC , AC**

Nominal solenoid voltage:  
**12 , 24 , 110 , 220**

Solenoid valve type: **NO , NC**  
(see hydraulic scheme at the top)