

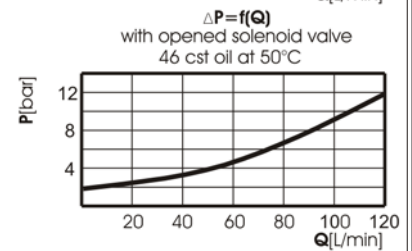
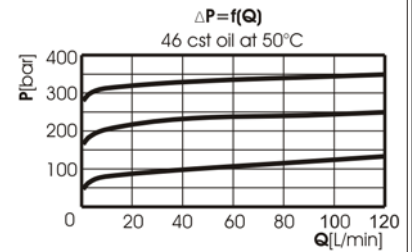
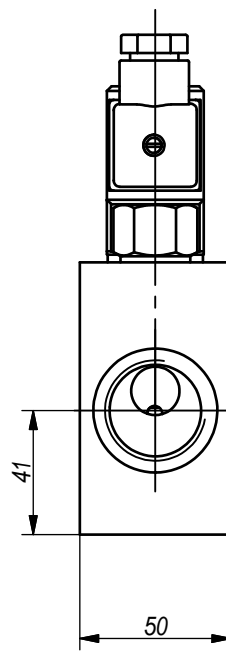
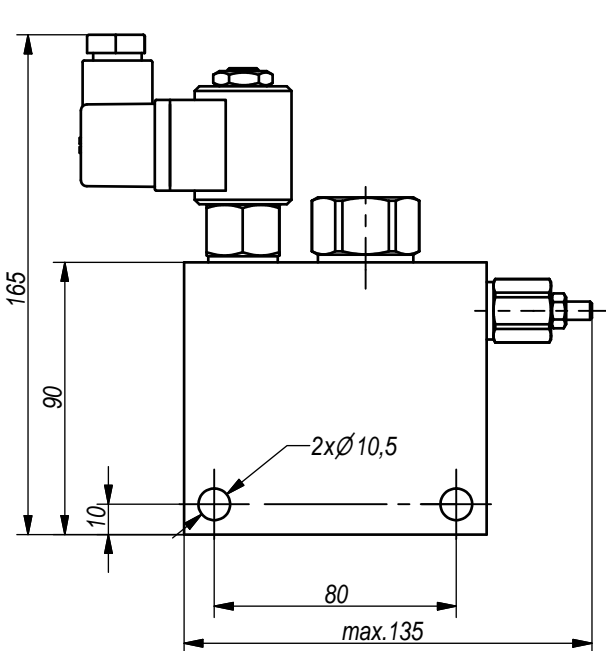
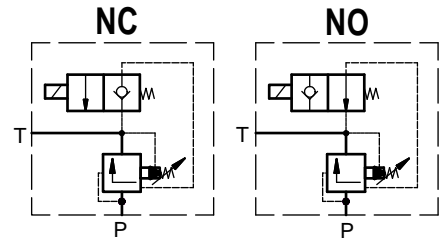
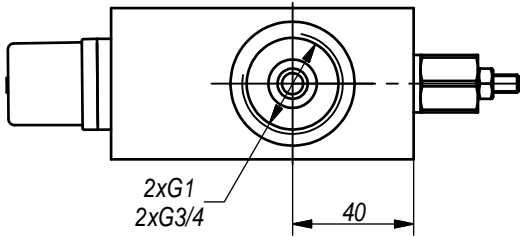


**Hidro
Pnevmotehnika**

3, Vojeli St., Kazanlak, Bulgaria
Tel.: +359 431/62 228
Fax.: +359 431/62 019
e-mail : info@hpt-bg.com
www.hpt-bg.com

PILOT OPERATED PRESSURE RELIEF VALVE WITH ELECTRIC CONTROL

RVE



| Code | Adjustment range | Standard setting |
|------|------------------|------------------|
| | bar. | bar. |
| 10 | 10 ... 100 | 80 |
| 25 | 30 ... 250 | 180 |
| 35 | 70 ... 350 | 250 |

All performances and calibration are carried out by using hydraulic oil with viscosity approx 46 cSt at 50 °C
Temperature range -20...+80 °C
Filtration absolute 25 μm

ORDERING CODE

RVE 1 - 25 NO 24 DC

Type

Port threads G: **34 , 1**

Pressure range code: **10 , 25 , 35**

Current: **DC , AC**

Nominal solenoid voltage:
12 , 24 , 110 , 220

Solenoid valve type: **NO , NC**
(see hydraulic scheme at the top)