

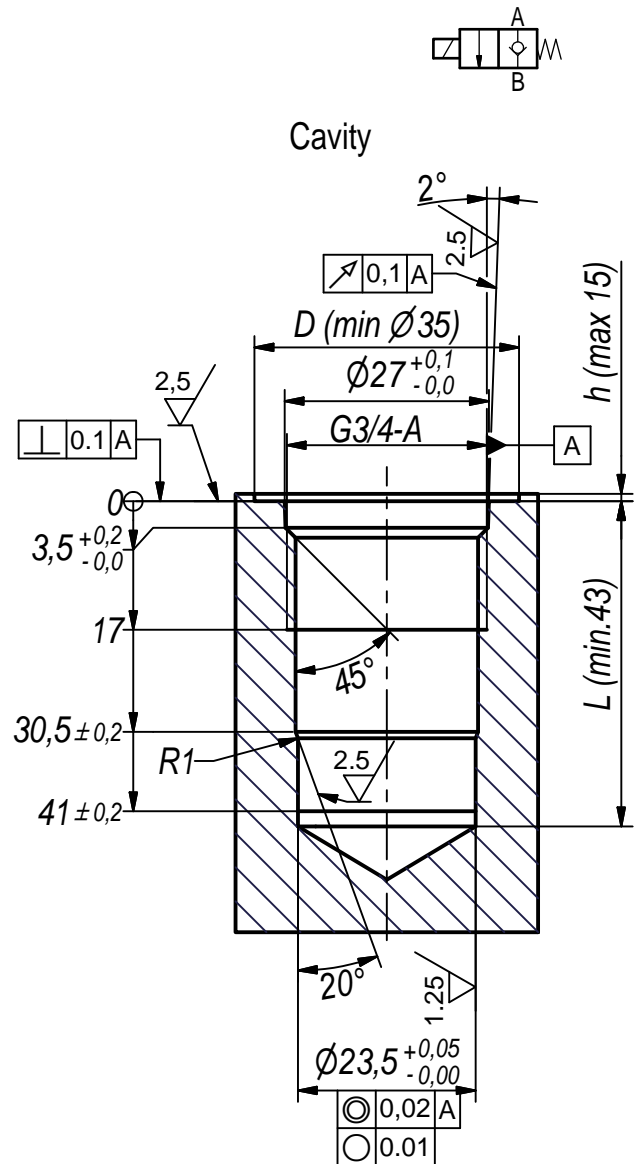
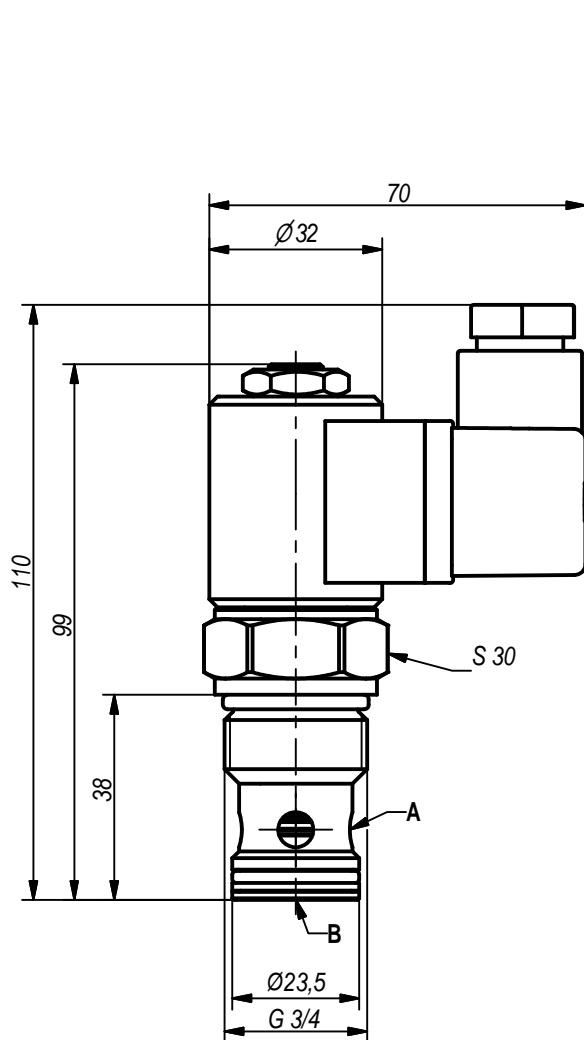
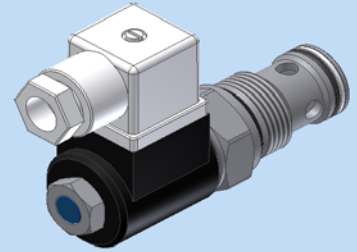


**Hidro
Pnevmo
Tehnika**

3. Vojeli St., Kazanlak, Bulgaria
Tel.: +359 431/62 228
Fax.: +359 431/62 019
e-mail : info@hpt-bg.com
www.hpt-bg.com

SOLENOID VALVES

SV13B1



TECHNICAL DATA		
	Measurement unit	Value
Maximum pressure	bar.	250
Nominal flow rate	L/min	60
Power supply	VAC	110,220
	VDC	12,24

All performances and calibration are carried out by using hydraulic oil with viscosity approx 46 cSt at 50 °C
Temperature range -20...+80 °C
Filtration absolute 25 μm

ORDERING CODE

SV13B1 / 12V DC

