

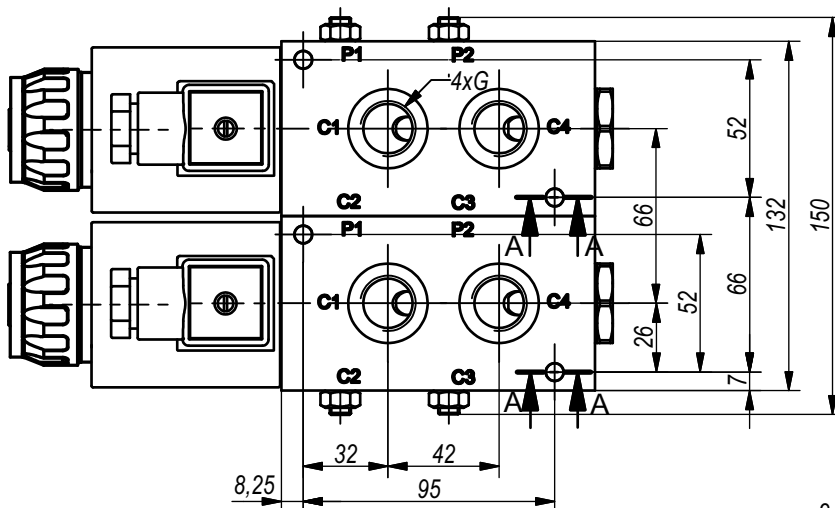
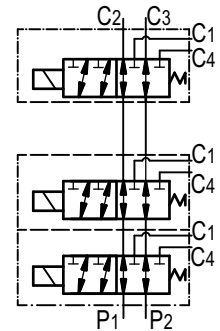
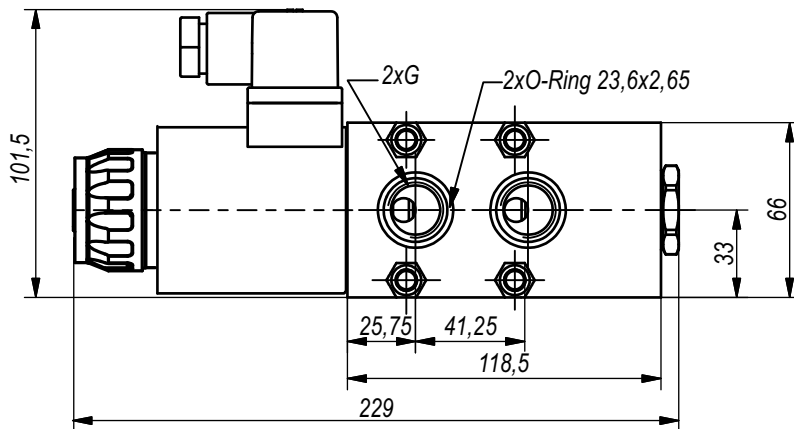
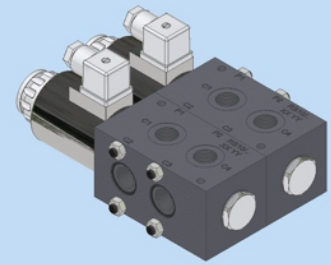


**Hidro  
Pnevmo  
Tehnika**

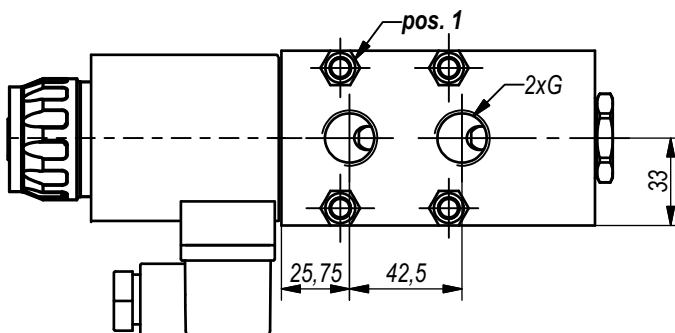
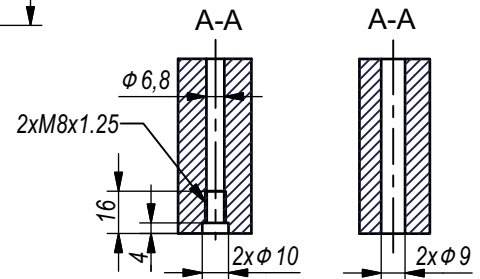
3, Vojeli St., Kazanlak, Bulgaria  
Tel.: +359 431/ 62 228  
e-mail : info@hpt-bg.com  
www.hpt-bg.com

## SOLENOID OPERATED DIRECTIONAL CONTROL VALVE

**. RS10 .. / .. -2**



Version



Note:

1. It is possible to make stacks with up to 4 directional control valves. A stack with 2 valves is shown.
2. For technical data see page 1.7.
3. Tightening torque for the solenoid - 30 N.m.
4. Tightening torque for the nuts (position 1) - 20...23 N.m.

### ORDERING CODE

**2 RS10 .. / 12 B - 2** Series

Number of sections: **2...4**

Type

Port threads "G" - code  
**G1/2" - omit**

Operating voltage - code:  
**12V / 00Hz - 12**  
**24V / 00Hz - 24**  
**110V/50Hz - 110**  
**220V/50Hz - 220**

Version - code:  
**2xM8 - omit**  
**2xφ9 - B**