

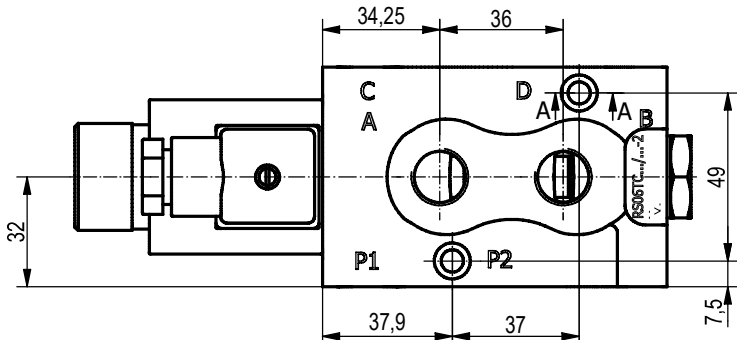
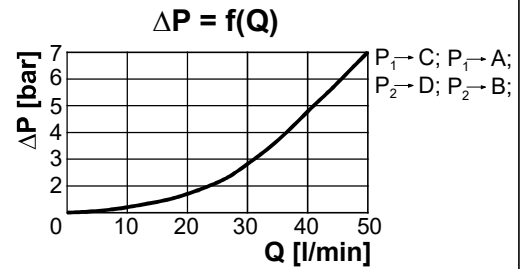
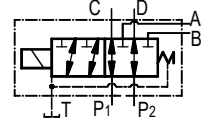
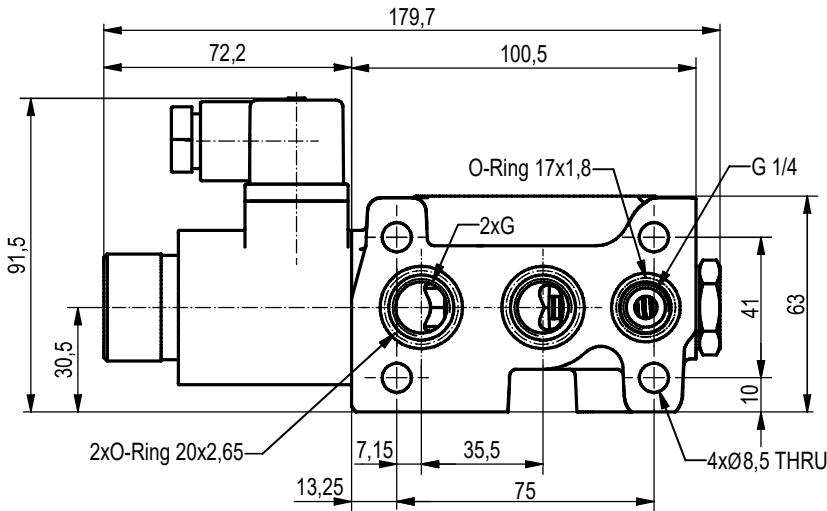


**Hidro
Pnevmo
Tehnika**

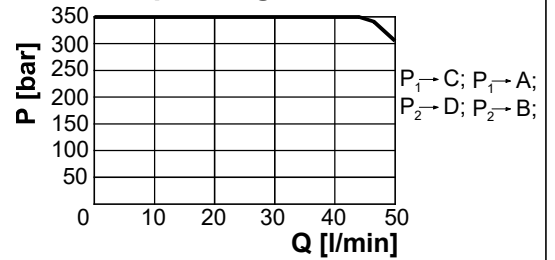
3, Vojeli St., Kazanlak, Bulgaria
Tel.: +359 431/ 62 228
e-mail : info@hpt-bg.com
www.hpt-bg.com

SOLENOID OPERATED DIRECTIONAL CONTROL VALVE

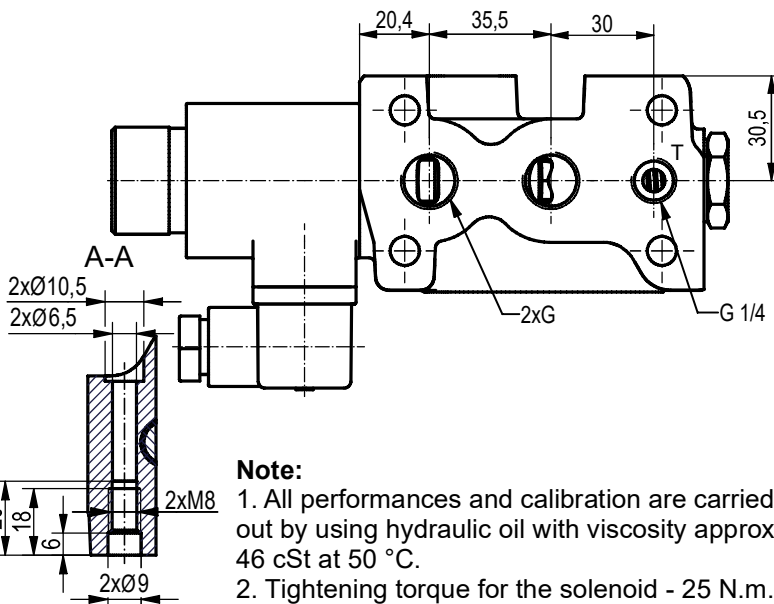
. RS06 TC 38/ ..-2



Operating limit



Internal leakage - 20 cm³/min
mineral oil with 46 cSt viscosity
and at 100 bar pressure



TECHNICAL DATA

General		
Ambient temperature	°C	-20...+50
Hydraulic		
Maximal pressure	bar	350
Maximal pressure port "T"	bar	200
Maximal flow rate	L/min	50
Working fluid - mineral oil		
- viscosity	mm ² /s	10...100
- filtration level	µm	25 or better
- temperature	°C	-20...+80
Power supply		
Voltage	V DC	12±5%
		24±5%

ORDERING CODE

2 RS06TC 38 / 12 - 2

Series

Number of sections: **2...8**
One section: **Omit**

Type

Port threads "G" - code:
G3/8" - 38

Operating voltage - code:
12V / 00Hz - 12
24V / 00Hz - 24