

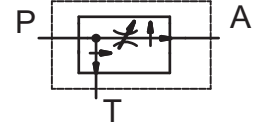


**Hidro
Pnevmo
Tehnika**

3, Vojeli St., Kazanlak, Bulgaria
Tel.: +359 431/ 62 228, 68 440
e-mail : info@hpt-bg.com
www.hpt-bg.com

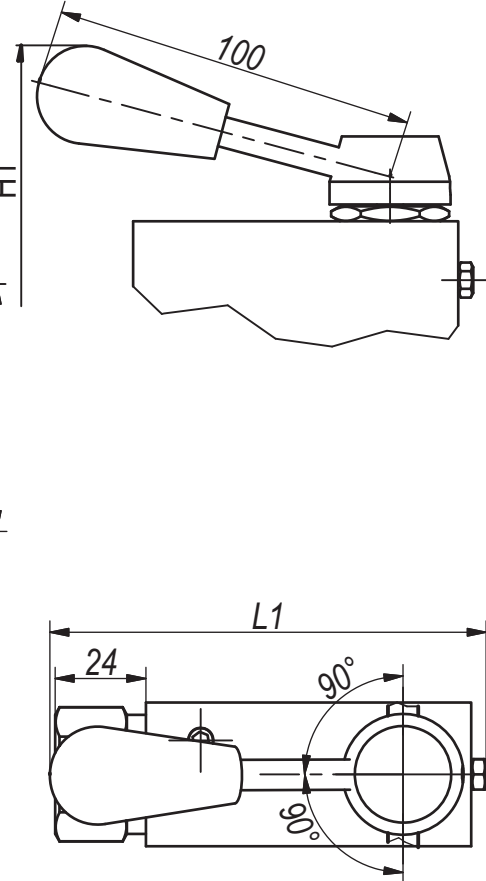
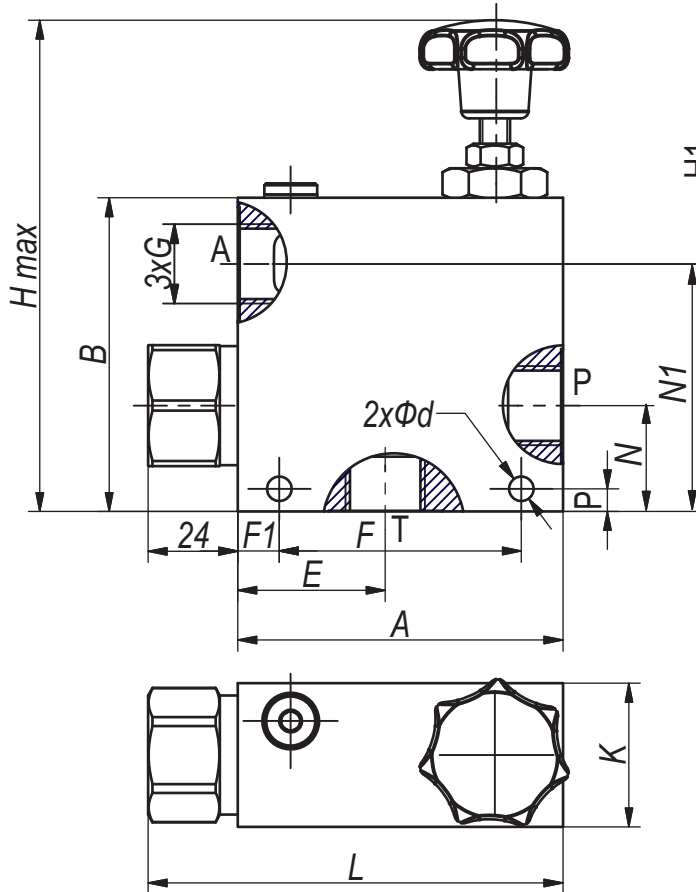
**FLOW CONTROL VALVE
THREE-WAY**

VRF C3/./..



VRF C3/V/..

VRF C3/L/..



Type	P _{max.}	Q _{min.}	Q _{max.} [L/min]		G	A	B	E	F	F1	N	N1	P	K	H	H1	L	L1	d
	bar	L/min	At port P	At port A		mm	mm	mm	mm	mm	mm	mm	mm	mm	mm	mm	mm	mm	mm
VRF C3/./38	250	2	50	30	G3/8"	86	83	39	64	11	28	65,5	6	38	120	129	110	115	6,5
VRF C3/./12			80	50	G1/2"														
VRF C3/V/34			91	110	39	75	8	34	87,5	7	50	158	-	115	-	129			
VRF C3/L/34			95														10	35	-

All performances and calibration are carried out by using hydraulic oil with viscosity approx. 46 cSt at 50°C .
Temperature range: -20°C...+80°C
Filtration absolute: 25 µm

ORDERING CODE

