

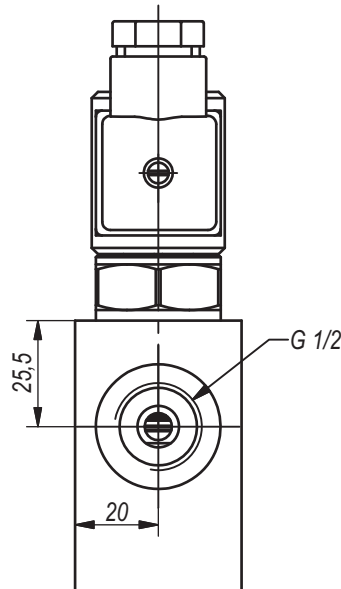
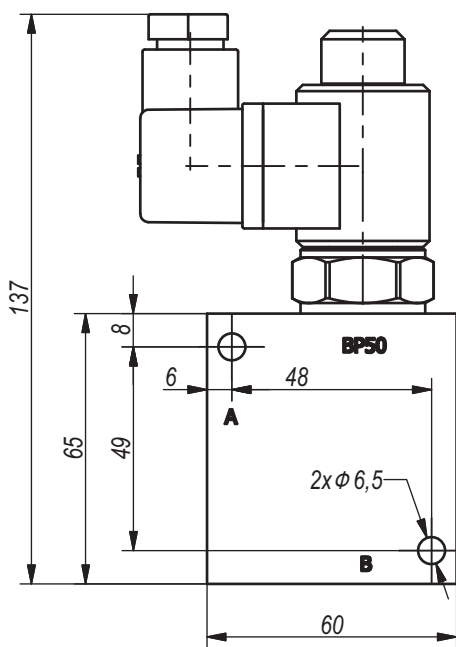
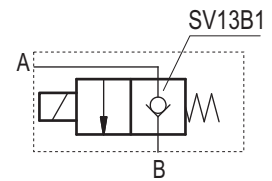
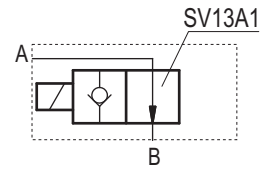
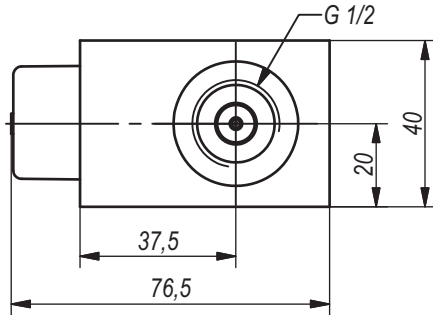


**Hidro
Pnevmo
Tehnika**

3, Vojeli St., Kazanlak, Bulgaria
Tel.: +359 431/ 62 228, 68 440
e-mail : info@hpt-bg.com
www.hpt-bg.com

HYDRAULIC BLOCK WITH SOLENOID VALVES

BP50/SV13.. - ..



Note:

1. All performances and calibration are carried out by using hydraulic oil with viscosity approx 46 cSt at 50°C.
2. Tightening torque for solenoid valve - 35 N.m.

TECHNICAL DATA

General		
Ambient temperature	°C	-20...+50
Hydraulic		
Nominal pressure	bar	200
Nominal flow rate	L/min	50
Working fluid – mineral oil		
- viscosity	mm ² /s	10...100
- filtration level	mm	25 or better
- temperature	°C	-20...80
Power supply		
Voltage of operating solenoid	V DC	12 24
	V AC	110/50Hz 220/50Hz

ORDERING CODE

BP50/ SV13B1 - ..

Type

Solenoid valve - code:
normally open-**SV13A1**
normally closed-**SV13B1**

Operating voltage - code:
12V / 00Hz - 12
24V / 00Hz - 24
110V/50Hz - 110
220V/50Hz - 220