

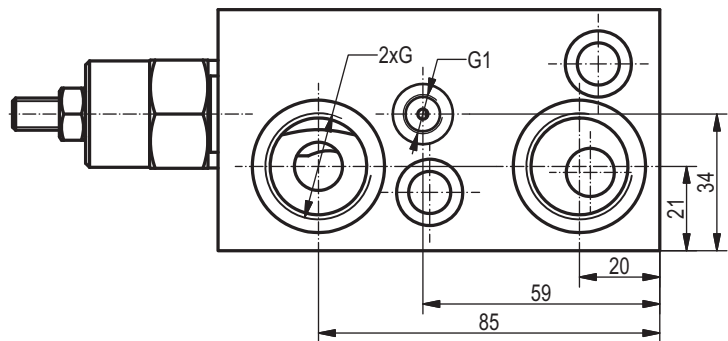
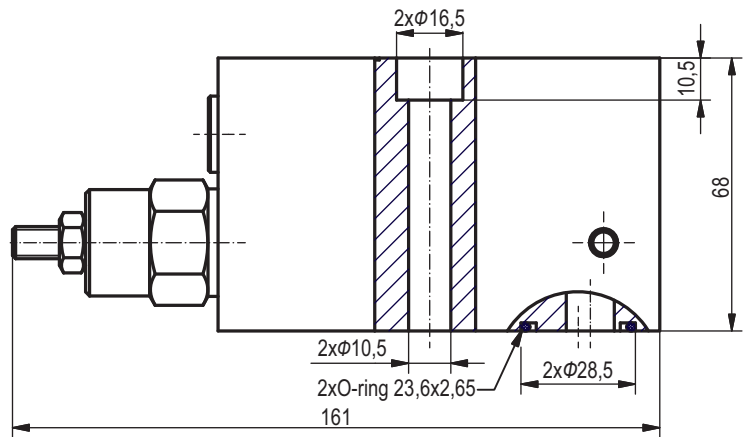
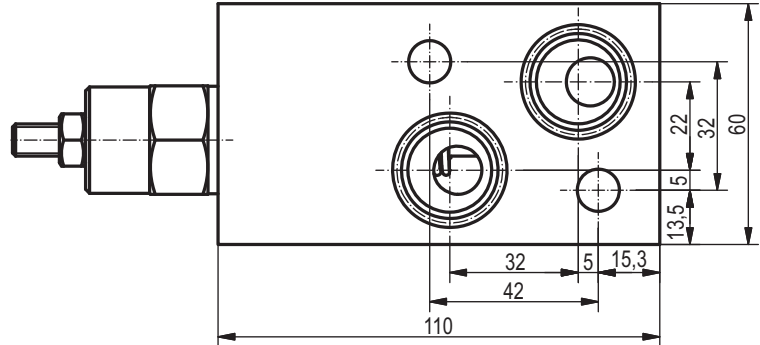
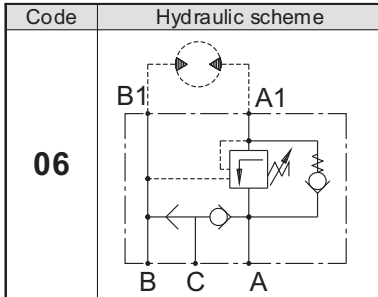
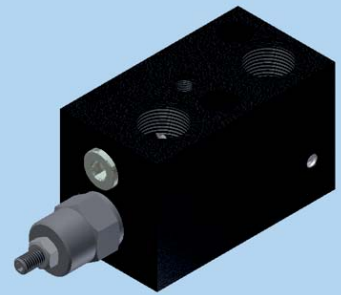


**Hidro  
Pnevmo  
Tehnika**

3, Vojeli St., Kazanlak, Bulgaria  
Tel.: +359 431/ 62 228, 68 440  
e-mail: info@hpt-bg.com  
www.hpt-bg.com

## HYDRAULIC MOTOR BLOCKS TYPE BV

### BVS 34 06



Type	Nominal flow rate	Adj. pressure range	Pressure ratio	P <sub>max.</sub>	Port threads G	Port threads G1
	L/min	bar	-	bar	-	-
<b>BVS 3406</b>	100	70...250	4,25:1	250	G3/4 - DIN 3852	G1/8 - DIN 3852

### ORDERING CODE

**BV S 34 06**

