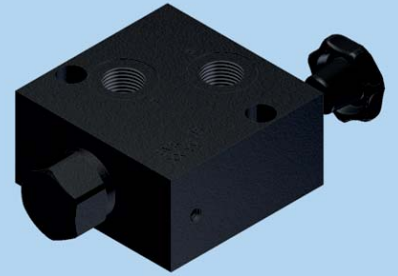




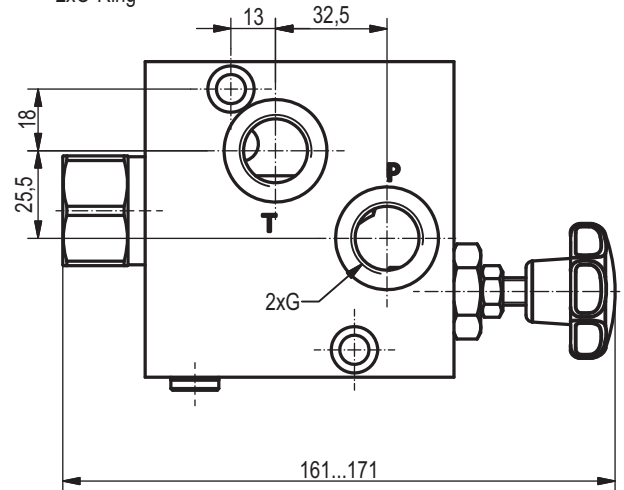
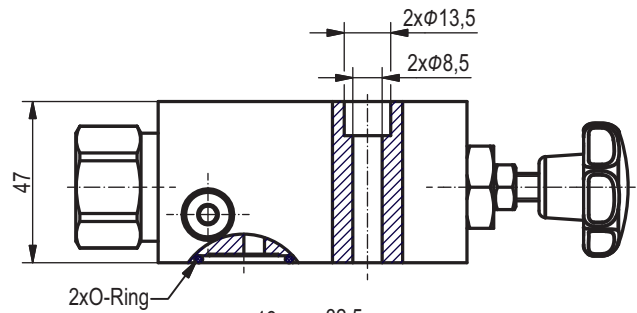
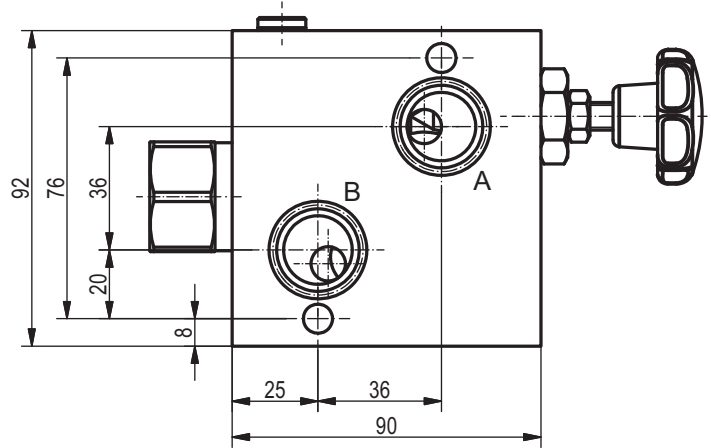
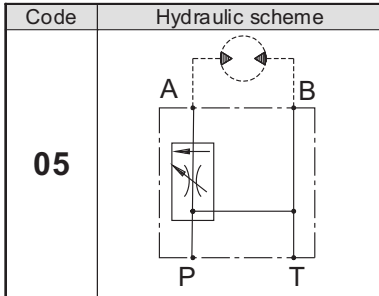
**Hidro
Pnevmo
Tehnika**

3, Vojeli St., Kazanlak, Bulgaria
Tel.: +359 431/ 62 228, 68 440
e-mail : info@hpt-bg.com
www.hpt-bg.com

HYDRAULIC MOTOR BLOCKS TYPE BV



BVR .. 05 ..



Type	Flow rate max. "P"	Max. flow at "A"	P _{max.}	Port threads G	O-Ring
	L/min	L/min	bar	-	-
BVR 1205 ..	90	70	250	G1/2 - DIN 3852	23,6x2,65
BVR 7805 ..	90	70	250	7/8-14UNF - ISO 11926	26x2

ORDERING CODE

BV R 12 05 AL

