

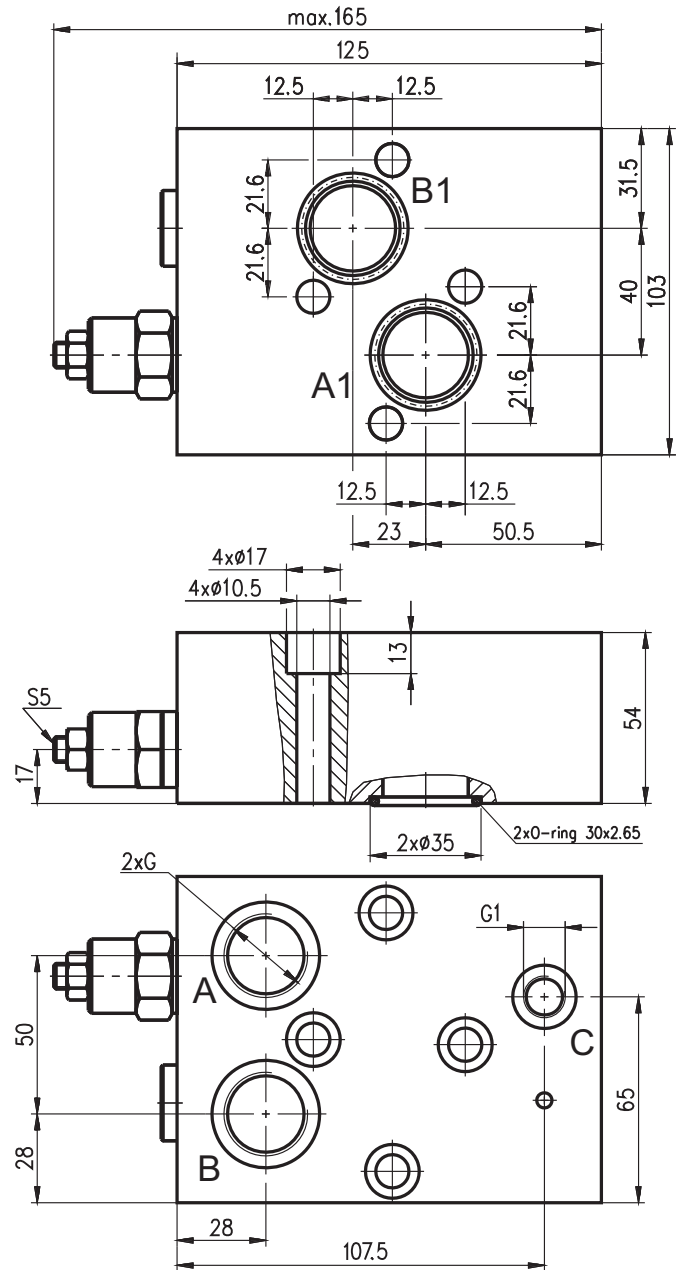
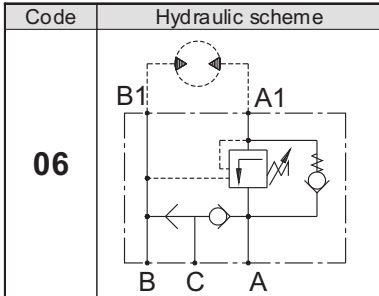


**Hidro  
Pnevmo  
Tehnika**

3, Vojeli St., Kazanlak, Bulgaria  
Tel.: +359 431/ 62 228, 68 440  
e-mail : info@hpt-bg.com  
www.hpt-bg.com

## HYDRAULIC MOTOR BLOCKS TYPE BV

### BVT ... 06



Type	Nominal flow rate	Adj. pressure range	Pressure ratio	Pmax.	Port threads G	Port threads G1
	<i>L/min</i>	<i>bar</i>	-	<i>bar</i>	-	-
<b>BVT 3406</b>	100	60...250	4,25:1	250	G3/4 - DIN 3852	G1/4 - DIN 3852
<b>BVT 111606</b>	100	60...250	4,25:1	250	1 1/16-12UN - ISO 11926	7/16-20UNF - ISO 11926
<b>BVT 2706</b>	100	60...250	4,25:1	250	M27x2 - DIN 3852	M14x1,5 - DIN 3852

### ORDERING CODE

**BV T 34 06**

