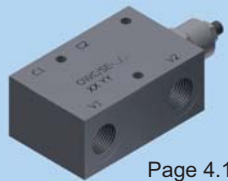
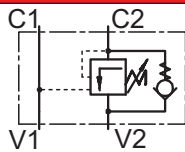
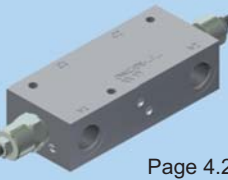
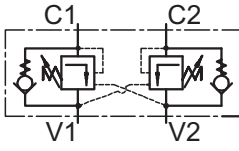

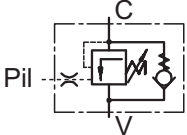
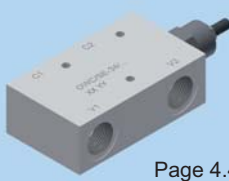
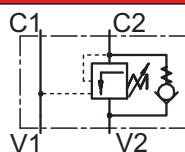

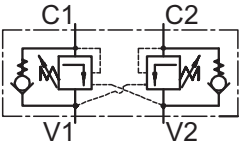
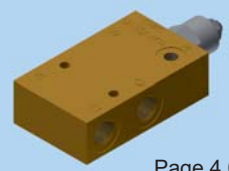
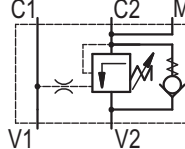
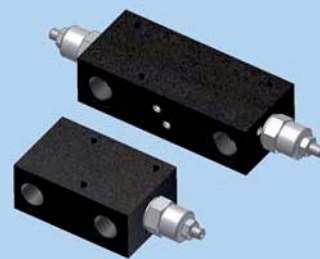




OVERCENTER VALVES

 <p>Page 4.1</p>	<p>OWC/SE-../..</p> 
 <p>Page 4.2</p>	<p>OWC/DE-../..</p> 
 <p>Page 4.3</p>	<p>OWC/SE-38/..M</p> 

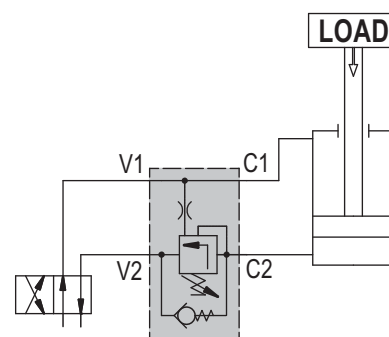
 <p>Page 4.4</p>	<p>OWC/SE-34/..</p> 
 <p>Page 4.5</p>	<p>OWC/DE-34/..</p> 
 <p>Page 4.6</p>	<p>OWC/SE-38/..M1L</p> 



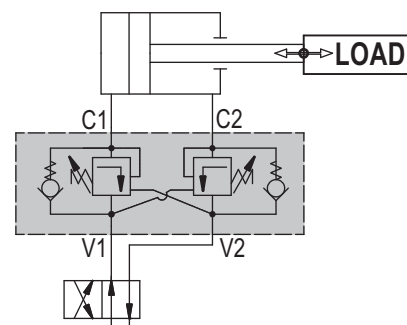
The overcenter valves are used for a precise control of the movement based on the supplied flow. In the case when an external force is acting on the operating unit (a cylinder or a hydraulic motor), and the result of that action increases the speed of movement over the value determined by the input flow, the valve "reduces" the output flow of the cylinder/hydraulic motor and prevents from rise of the speed and protects the system from cavitation.

Examples of connections are given below:

1. Of a single valve



2. Of a double valve





**Hidro
Pnevmo
Tehnika**

3, Vojeli St., Kazanlak, Bulgaria
Tel.: +359 431/ 62 228, 68 440
e-mail : info@hpt-bg.com
www.hpt-bg.com

IN-LINE SINGLE OVERCENTER VALVE

OWC/SE-../..

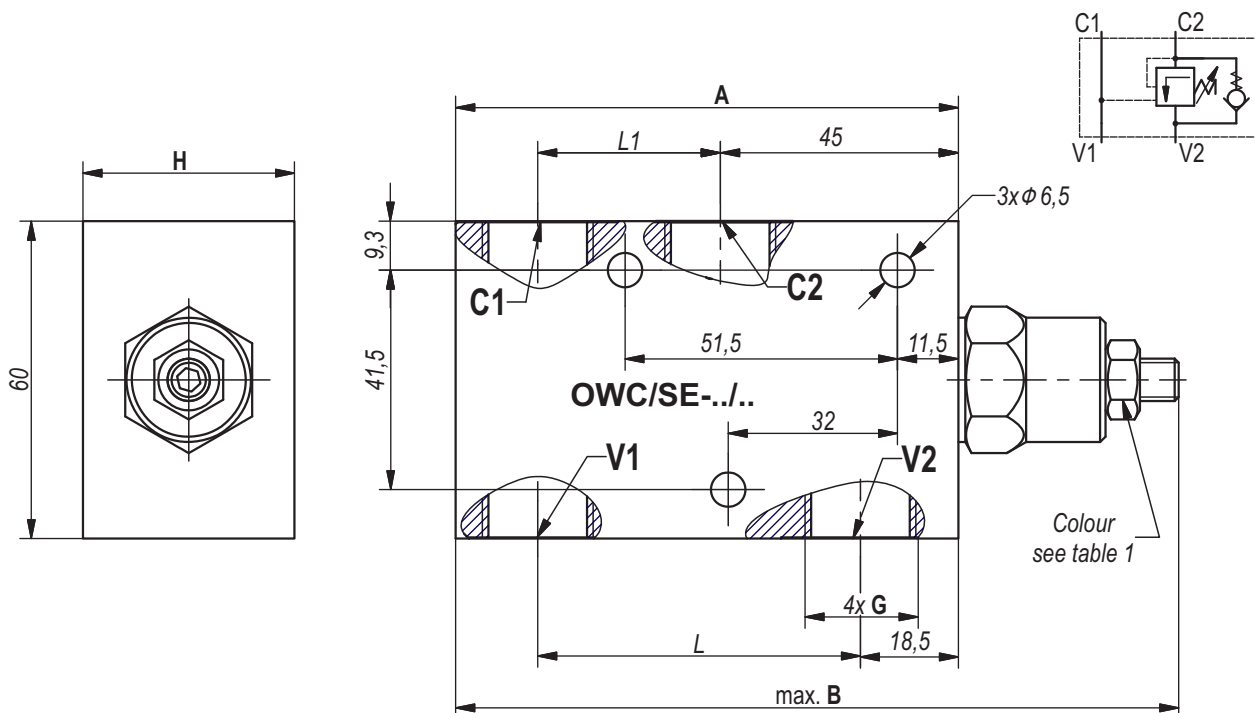


Table 1

Code	Pressure range			
	Standard setting (Q=5l/min) bar	Adj. pressure range bar	Pilot ratio	Colour
25	100	60...250	4,26:1	White
35	250	100...350	4,26:1	Yellow

All performances and calibration are carried out by using hydraulic oil with viscosity approx. 46 cSt at 50°C.

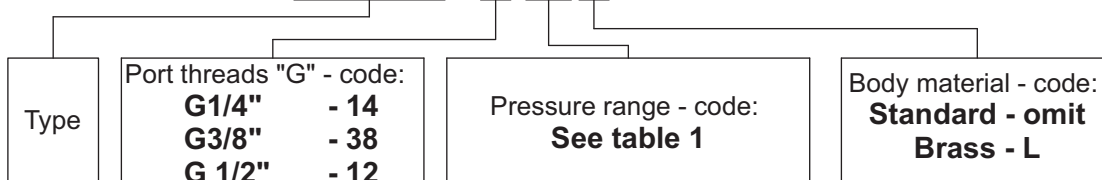
Working fluid - mineral oil with:
- viscosity - 10...100 cSt;
- temperature - -20...+80°C;
- filtration level - 25 μm.

Table 2

Type	Q nom.	A	B	G	L	L1	H	Body material
	L/min.	mm	mm	-	mm	mm	mm	-
OWC/SE-14/25	30	90	135	G 1/4"-DIN 3852	58,5	32	30	Aluminum
OWC/SE-38/25	35	90	135	G 3/8"-DIN 3852	58,5	32	30	Aluminum
OWC/SE-12/25	50	95	140	G 1/2"-DIN 3852	61	34,5	40	Aluminum
OWC/SE-14/35	30	90	135	G 1/4"-DIN 3852	58,5	32	30	Steel
OWC/SE-38/35	35	90	135	G 3/8"-DIN 3852	58,5	32	30	Steel
OWC/SE-12/35	50	95	140	G 1/2"-DIN 3852	61	34,5	30	Steel
OWC/SE-14/25L	30	90	135	G 1/4"-DIN 3852	58,5	32	30	Brass
OWC/SE-14/35L	30	90	135	G 1/4"-DIN 3852	58,5	32	30	Brass
OWC/SE-38/25L	35	90	135	G 3/8"-DIN 3852	58,5	32	30	Brass
OWC/SE-38/35L	35	90	135	G 3/8"-DIN 3852	58,5	32	30	Brass
OWC/SE-12/25L	50	95	140	G 3/2"-DIN 3852	61	34,5	40	Brass
OWC/SE-12/35L	50	95	140	G 3/2"-DIN 3852	61	34,5	40	Brass

ORDERING CODE

OWC/SE - 38/25 L





**Hidro
Pnevmo
Tehnika**

3, Vojeli St., Kazanlak, Bulgaria
Tel.: +359 431/ 62 228, 68 440
e-mail: info@hpt-bg.com
www.hpt-bg.com

IN-LINE DUAL OVERCENTER VALVE

OWC/DE-../..

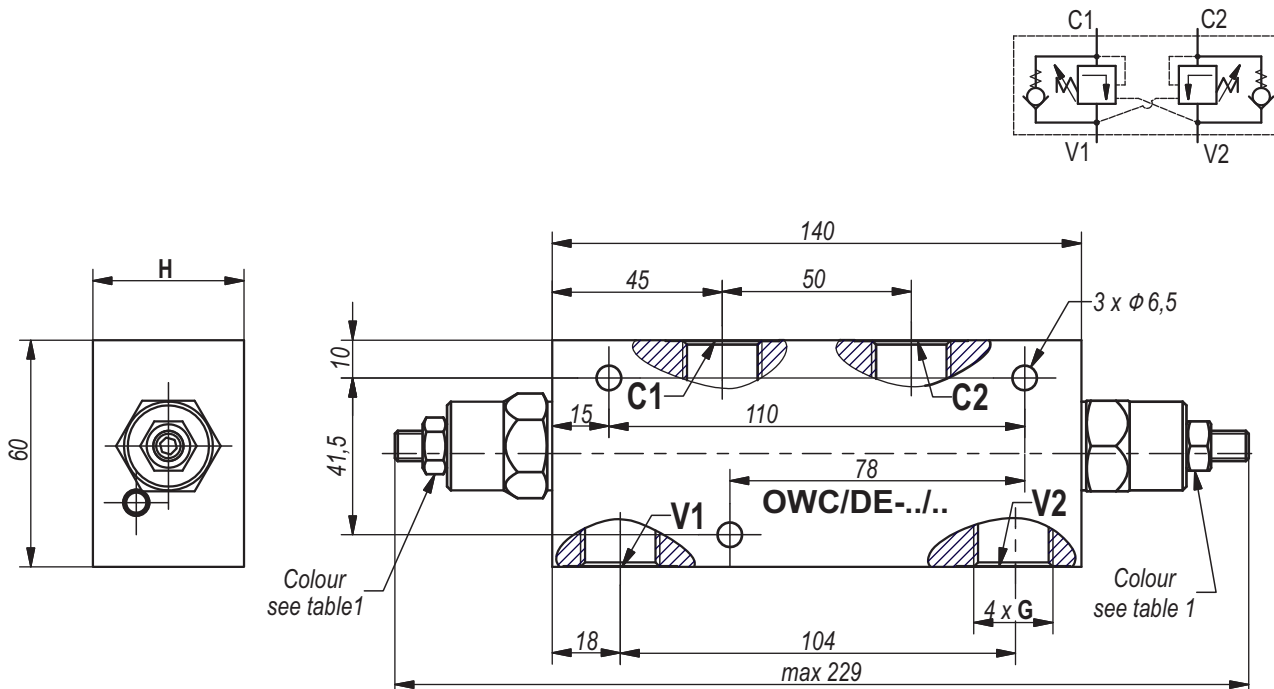
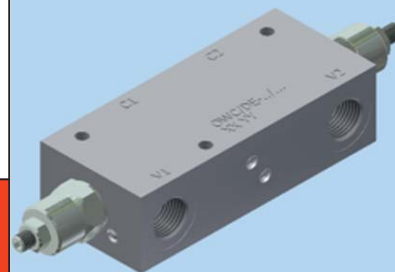


Table 1

Code	Pressure range		Pilot ratio	Colour
	Standard setting (Q=5l/min) bar	Adj. pressure range bar		
25	100	60...250	4,26:1	White
35	250	100...350	4,26:1	Yellow

Table 2

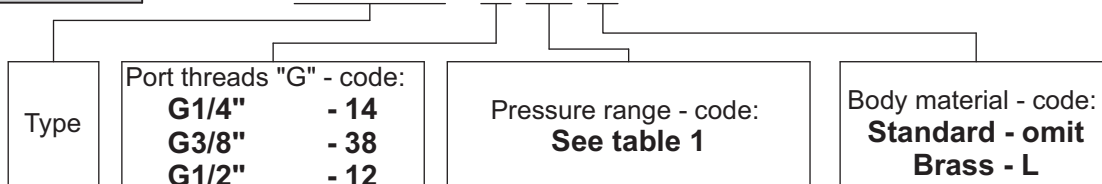
Type	Q nom.	G	H	Body material
	L/m in.			
OWC/DE-14/25	30	G 1/4"-DIN 38 52	30	Aluminum
OWC/DE-38/25	35	G 3/8"-DIN 38 52	30	Aluminum
OWC/DE-12/25	50	G 1/2"-DIN 38 52	40	Aluminum
OWC/DE-14/35	30	G 1/4"-DIN 38 52	30	Steel
OWC/DE-38/35	35	G 3/8"-DIN 38 52	30	Steel
OWC/DE-12/35	50	G 1/2"-DIN 38 52	30	Steel
OWC/DE-14/25 L	30	G 1/4"-DIN 38 52	30	Brass
OWC/DE-14/35 L	30	G 1/4"-DIN 38 52	30	Brass
OWC/DE-38/25 L	35	G 3/8"-DIN 38 52	30	Brass
OWC/DE-38/35 L	35	G 3/8"-DIN 38 52	30	Brass
OWC/DE-12/25 L	50	G 1/2"-DIN 38 52	40	Brass
OWC/DE-12/35 L	50	G 1/2"-DIN 38 52	40	Brass

All performances and calibration are carried out by using hydraulic oil with viscosity approx. 46 cSt at 50°C.

Working fluid - mineral oil with:
- viscosity - 10...100 cSt;
- temperature - -20...+80°C;
- filtration level - 25 µm.

ORDERING CODE

OWC/DE - 38/25 L





**Hidro
Pnevmo
Tehnika**

3, Vojeli St., Kazanlak, Bulgaria
Tel.: +359 431/ 62 228, 68 440
e-mail : info@hpt-bg.com
www.hpt-bg.com

**SINGLE OVERCENTER VALVE
WITH EXTERNAL PILOT-
NIPPLE SCREW FLANGEABLE**

OWC/SE-38/..M

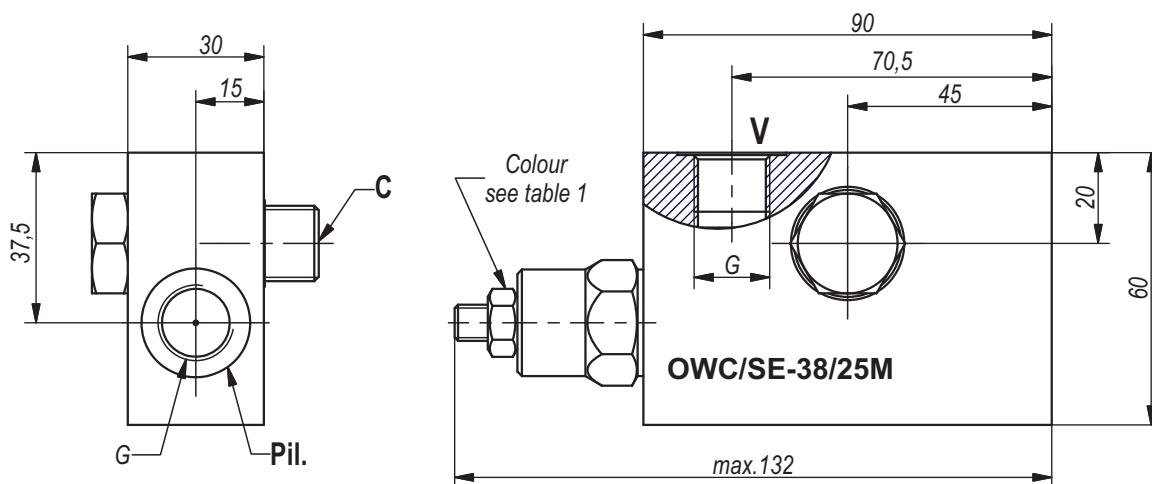
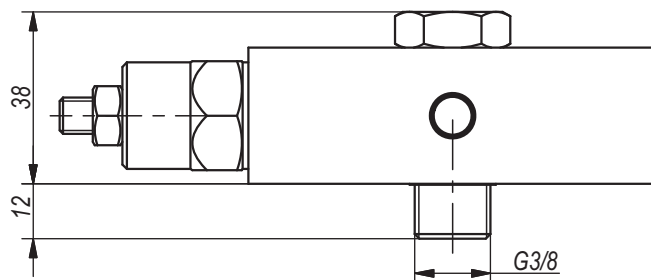
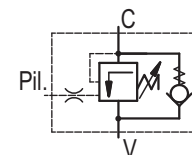


Table 1

Code	Pressure range		Pilot ratio	Colour
	Standard setting (Q=5l/min) bar	Adj. pressure range bar		
25	100	60...250	4,26:1	White
35	250	100...350	4,26:1	Yellow

Table 2

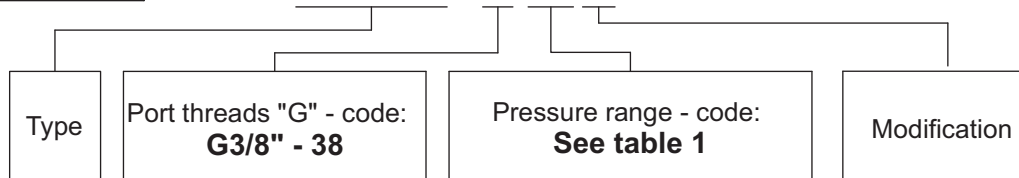
Type	Q nom.	G	Body material
	L/min.		
OWC/SE-38/25M	35	G3/8"-DIN 3852	Aluminium
OWC/SE-38/35M	35	G3/8"-DIN 3852	Steel

All performances and calibration are carried out by using hydraulic oil with viscosity approx. 46 cSt at 50°C.

Working fluid - mineral oil with:
- viscosity - 10...100 cSt;
- temperature - -20...+80°C;
- filtration level - 25 μm.

ORDERING CODE

OWC/SE - 38/25 M





**Hidro
Pnevmo
Tehnika**

3, Vojeli St., Kazanlak, Bulgaria
Tel.: +359 431/ 62 228, 68 440
e-mail: info@hpt-bg.com
www.hpt-bg.com

IN-LINE SINGLE OVERCENTER VALVE

OWC/SE-34/..

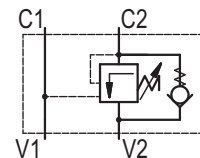
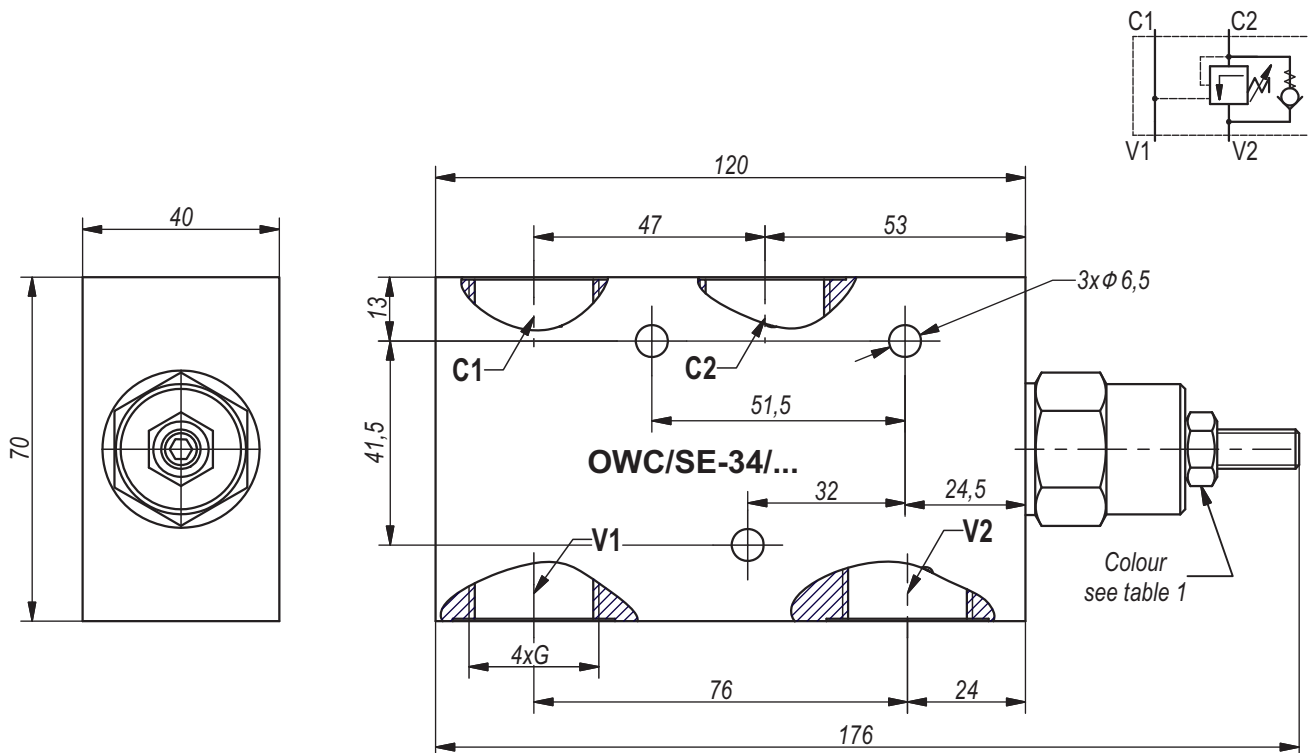
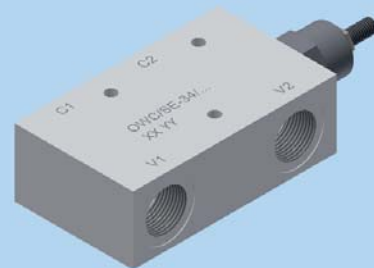


Table 1

Code	Pressure range		Pilot ratio	Colour
	Standard setting (Q=5l/min) bar	Adj. pressure range bar		
25	100	60...250	4,26:1	White
35	250	100...350	4,26:1	Yellow

Table 2

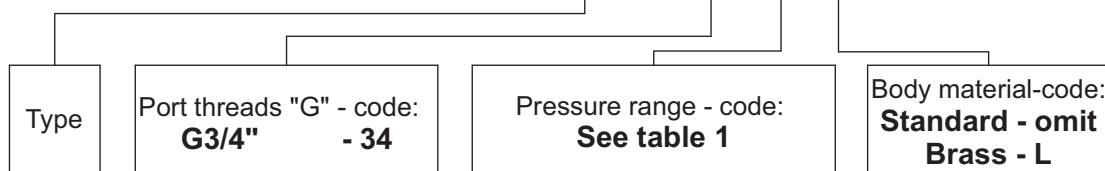
Type	Q _{nom.}	G	H	Body material
	L/min.			
OWC/SE-34/25	100	G3/4"-DIN 3852	40	Aluminum
OWC/SE-34/25L	100	G3/4"-DIN 3852	40	Brass
OWC/SE-34/35	100	G3/4"-DIN 3852	35	Steel

All performances and calibration are carried out by using hydraulic oil with viscosity approx. 46 cSt at 50°C.

Working fluid - mineral oil with:
 - viscosity - 10...100 cSt;
 - temperature - -20...+80°C;
 - filtration level - 25 μm.

ORDERING CODE

OWC/SE - 34 / 25 L



**IN-LINE DUAL
OVERCENTER VALVE**

OWC/DE- 34/..

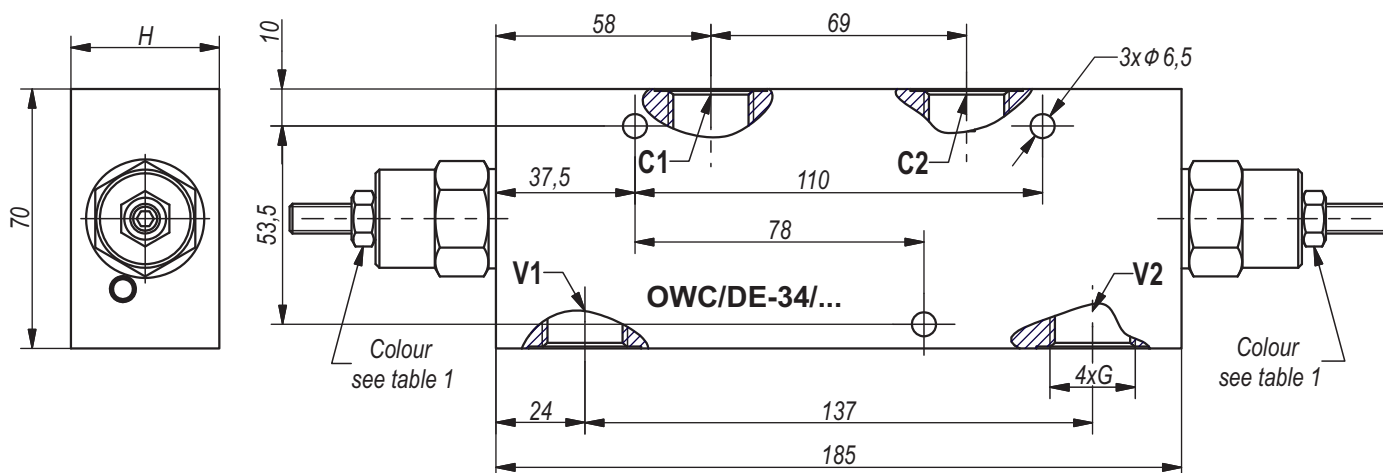
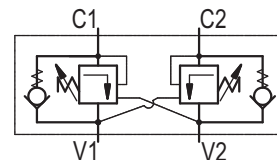


Table 1

Code	Pressure range		Pilot ratio	Colour
	Standard setting (Q=5l/min) bar	Adj. pressure range bar		
25	100	60...250	4,26:1	White
35	250	100...350	4,26:1	Yellow

Table 2

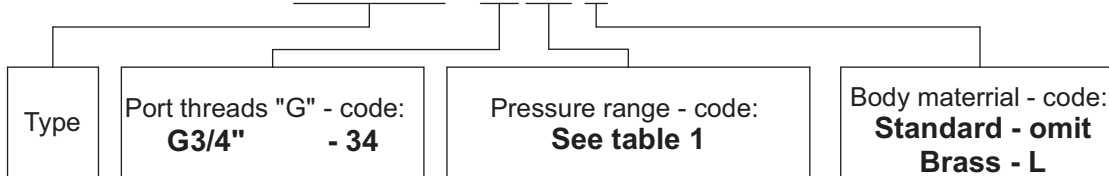
Type	Q _{nom.}	G	H	material
	L/min.			
OWC/DE-34/25	100	G3/4"-DIN 3852	40	Aluminum
OWC/DE-34/25L	100	G3/4"-DIN 3852	40	Brass
OWC/DE-34/35	100	G3/4"-DIN 3852	35	Steel

All performances and calibration are carried out by using hydraulic oil with viscosity approx. 46 cSt at 50°C.

Working fluid - mineral oil with:
- viscosity - 10...100 cSt;
- temperature - -20...+80°C;
- filtration level - 25 µm.

ORDERING CODE

OWC/DE - 34/25 L





**Hidro
Pnevmo
Tehnika**

3, Vojeli St., Kazanlak, Bulgaria
Tel.: +359 431/ 62 228, 68 440
e-mail : info@hpt-bg.com
www.hpt-bg.com

IN-LINE SINGLE OVERCENTER VALVE

OWC/SE- 38/..M1L

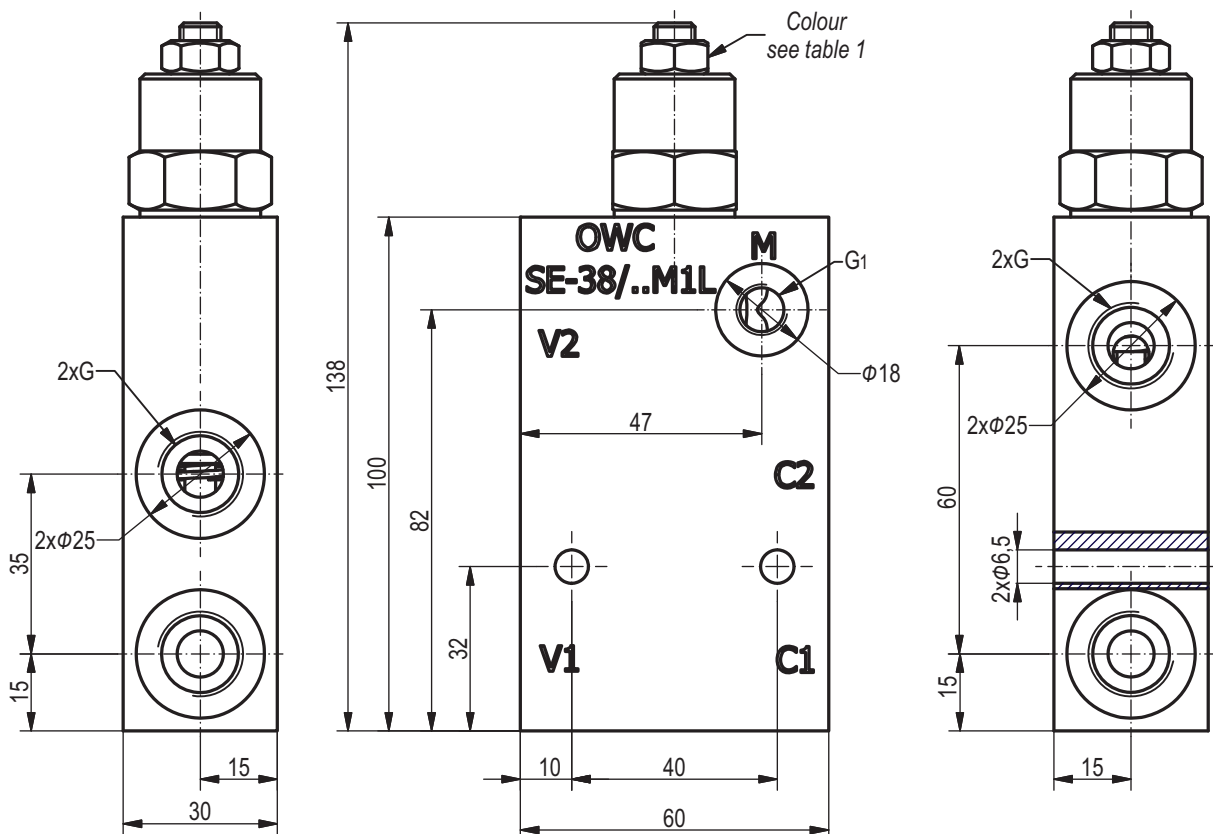
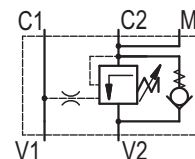
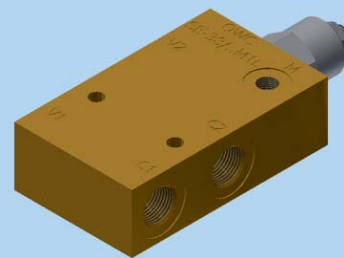


Table 1

Code	Pressure range		Pilot ratio	Colour
	Standard setting (Q=5l/min) bar	Adj. pressure range bar		
25	100	60...250	4,26:1	White
35	250	100...350	4,26:1	Yellow

Table 2

Type	Q _{nom.}	G	G ₁	Body material
	L/min.			
OWC/SE-38/25M1L	30	G3/8"-DIN 3852	G 1/8"-DIN 3852	Brass
OWC/SE-38/35M1L	30	G3/8"-DIN 3852	G 1/8"-DIN 3852	Brass

All performances and calibration are carried out by using hydraulic oil with viscosity approx. 46 cSt at 50°C.

Working fluid - mineral oil with:
 - viscosity - 10...100 cSt;
 - temperature - -20...+80°C;
 - filtration level - 25 μm.

ORDERING CODE

OWC/SE - 38 / 25 M1 L

